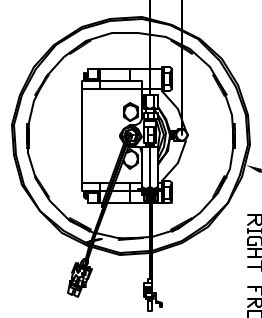


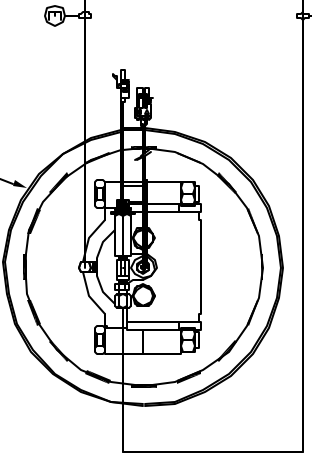
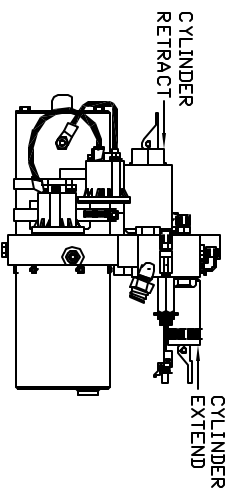
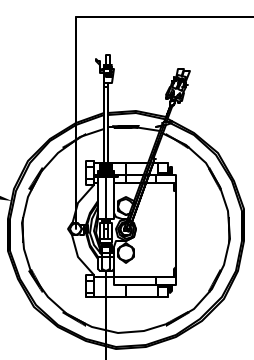
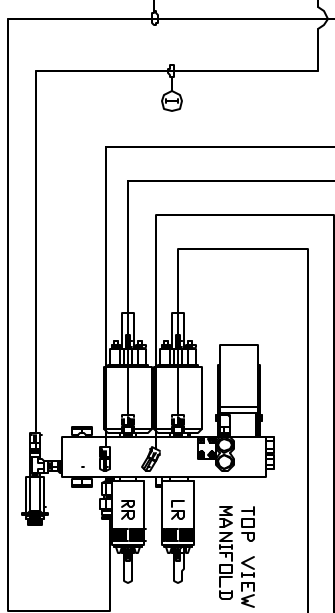
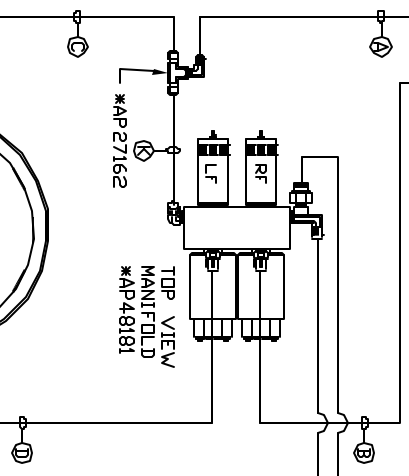
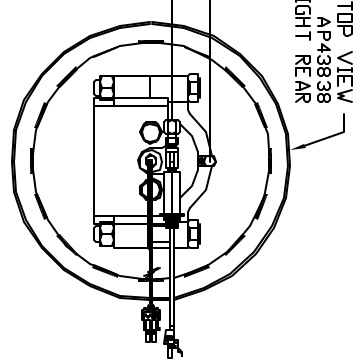
ORIENTATION

FRONT



- Ⓐ AP5965 HOSE ASSY .25' X 180' ROD END RIGHT FRONT JACK
- Ⓑ AP23233 HOSE ASSY .313' X 168' CAP END RIGHT FRONT JACK
- Ⓒ AP5965 HOSE ASSY .25' X 180' ROD END LEFT FRONT JACK
- Ⓓ AP23233 HOSE ASSY .313' X 168' CAP END LEFT FRONT JACK
- Ⓔ AP13856 HOSE ASSY .25' X 330' ROD END LEFT REAR JACK

- Ⓕ AP17476 HOSE ASSY .313' X 318' CAP END LEFT REAR JACK
- Ⓖ AP13856 HOSE ASSY .25' X 330' ROD END RIGHT REAR JACK
- Ⓖ AP17476 HOSE ASSY .313' X 318' CAP END RIGHT REAR JACK
- Ⓛ \*AP4060 HOSE ASSY .25' X 24' PRESSURE
- Ⓜ \*M401501 NYLON TUBING 5' DD RETURN
- Ⓨ \*AP5212 HOSE ASSY .25' X 15'



SIDE VIEW OF PUMP/MANIFOLD-\*AP46544  
LOCATION AND ORIENTATION OF PUMP/MANIFOLD ASSEMBLY WILL DIFFER DEPENDING UPON DEM.  
\* NOTE: PART OF AP51028 POWER CONTROL

NOTE: INSTALLATION MUST CONFORM TO GOOD SHOP PRACTICES, SAE STANDARDS, RVIA STANDARDS, AND OTHER APPLICABLE STANDARDS.

LEVELING SYSTEM: AP50988

NO.	DATE	REVISION

THE INFORMATION DISCLOSED IN THIS DRAWING IS CONFIDENTIAL AND MUST NOT BE DISCLOSED OR USED IN ANY MANNER WHICH WILL BE DETRIMENTAL TO THE IAH CORPORATION

HWH 1-80 EXT 267 SOUTH  
RT 1 MOSCOV, IOWA 52760

SCALE 1:6 DATE 19AUG13 DRAWN BY .

HYD CONN DIAGRAM

FARBER DRAWING NUMBER MP70651