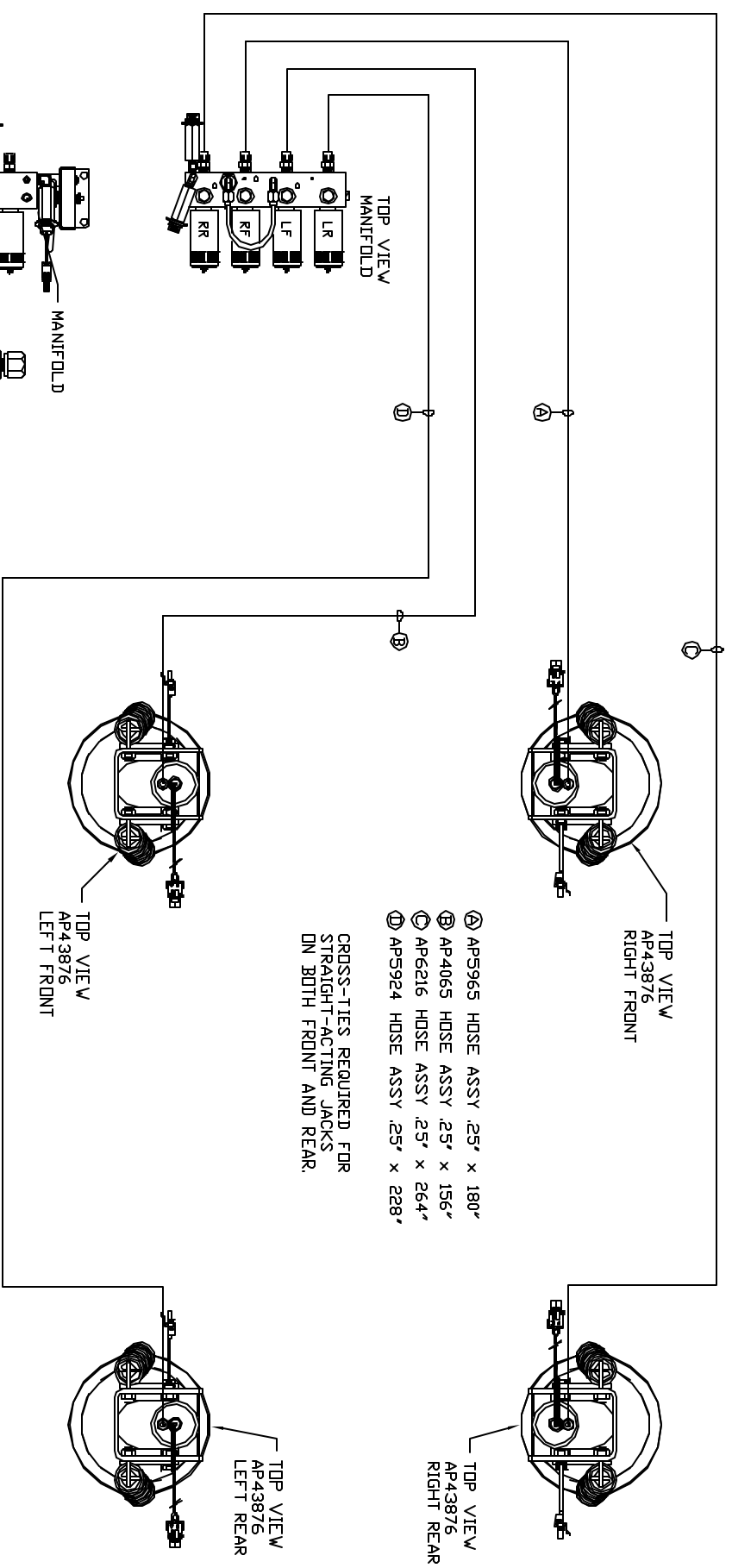
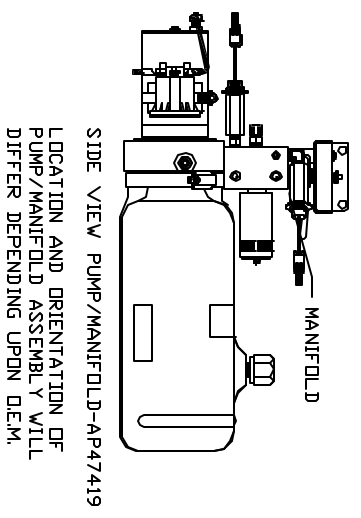


ORIENTATION
FRONT



- Ⓐ AP5965 HOSE ASSY .25" x 180'
- Ⓑ AP4065 HOSE ASSY .25" x 156'
- Ⓒ AP6216 HOSE ASSY .25" x 264'
- Ⓓ AP5924 HOSE ASSY .25" x 228'

CROSS-TIES REQUIRED FOR STRAIGHT-ACTING JACKS ON BOTH FRONT AND REAR.



SIDE VIEW PUMP/MANIFOLD-AP47419
LOCATION AND ORIENTATION OF PUMP/MANIFOLD ASSEMBLY WILL DIFFER DEPENDING UPON O.E.M.

NOTE: INSTALLATION MUST CONFORM TO GOOD SHOP PRACTICES, SAE STANDARDS, RVIA STANDARDS, AND OTHER APPLICABLE STANDARDS. LEVELING SYSTEM: AP51135

NO.	DATE	REVISION

THE INFORMATION DISCLOSED IN THIS DRAWING IS CONFIDENTIAL AND MUST NOT BE DISCLOSED OR USED IN ANY MANNER WHICH WILL BE DETRIMENTAL TO THE RVH CORPORATION

HW H	1-80 EXIT 267 SOUTH RT 1 MOSCOV, IOWA 52760
SCALE 1:6	DATE 19AUG13
HYD CONN DIAGRAM	
ITB	DRAWING NUMBER MP70653