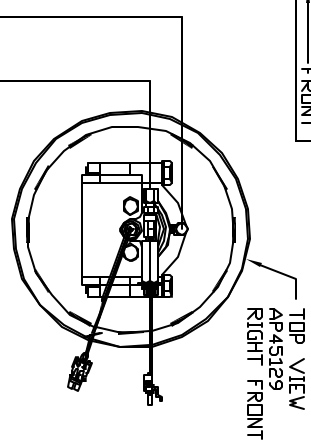


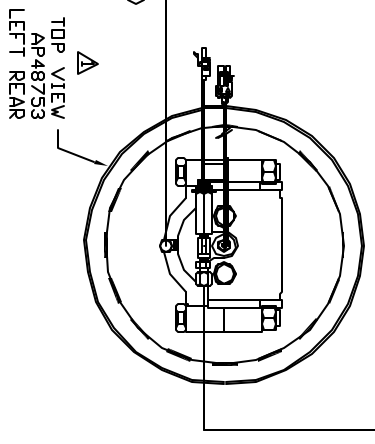
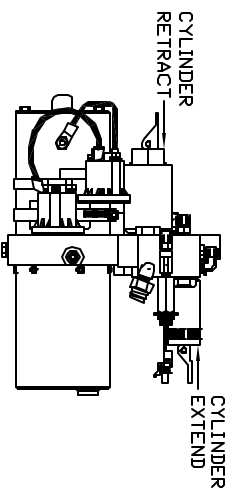
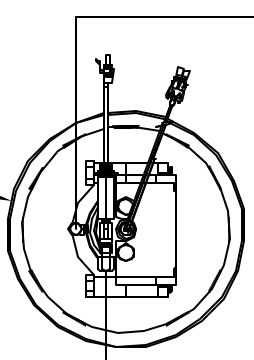
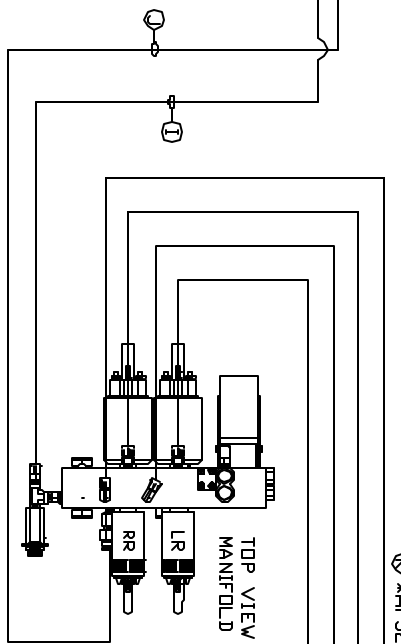
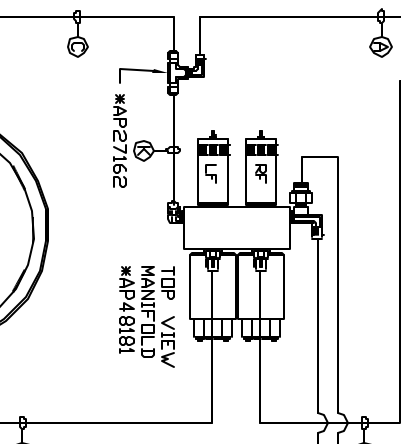
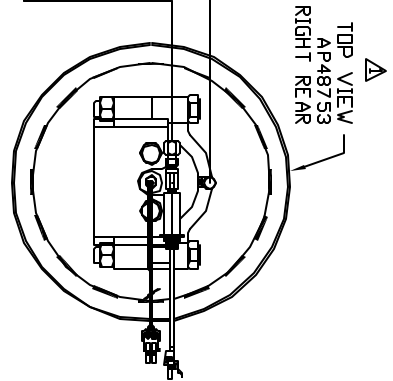
ORIENTATION

FRONT



- Ⓐ AP1410 HOSE ASSY .25' X 139' ROD END RIGHT FRONT JACK
- Ⓑ AP7818 HOSE ASSY .313' X 120' CAP END RIGHT FRONT JACK
- Ⓒ AP7832 HOSE ASSY .25' X 100' ROD END LEFT FRONT JACK
- Ⓓ AP42051 HOSE ASSY .313' X 84' CAP END LEFT FRONT JACK
- Ⓔ AP26791 HOSE ASSY .25' X 250' ROD END LEFT REAR JACK

- Ⓕ AP31034 HOSE ASSY .313' X 228' CAP END LEFT REAR JACK
- Ⓖ AP4064 HOSE ASSY .25' X 300' ROD END RIGHT REAR JACK
- Ⓗ AP42093 HOSE ASSY .313' X 276' CAP END RIGHT REAR JACK
- Ⓛ *AP4060 HOSE ASSY .25' X 24' PRESSURE
- Ⓜ *M401501 NYLON TUBING 5' DD RETURN
- Ⓨ *AP5212 HOSE ASSY .25' X 15'



SIDE VIEW OF PUMP/MANIFOLD-*AP46544
LOCATION AND ORIENTATION OF PUMP/MANIFOLD ASSEMBLY WILL DIFFER DEPENDING UPON DEM.
* NOTE: PART OF AP51028 POWER CONTROL

NOTE: INSTALLATION MUST CONFORM TO GOOD SHOP PRACTICES, SAE STANDARDS, RYLA STANDARDS, AND OTHER APPLICABLE STANDARDS.

LEVELING SYSTEM: AP51392

NO.	DATE	REVISION
1	06MAY15	VAS AP43838

THE INFORMATION DISCLOSED IN THIS DRAWING IS CONFIDENTIAL AND MUST NOT BE DISCLOSED OR USED IN ANY MANNER WHICH WILL BE DETRIMENTAL TO THE IAH CORPORATION

HWH 1-80 EXT 267 SOUTH
RT 1 MOSCOW, IOWA 52760

SCALE 1:6 DATE 04DEC13 DRAWN BY .

HYD CONN DIAGRAM

CT COACHWORKS DRAWING NUMBER MP70675