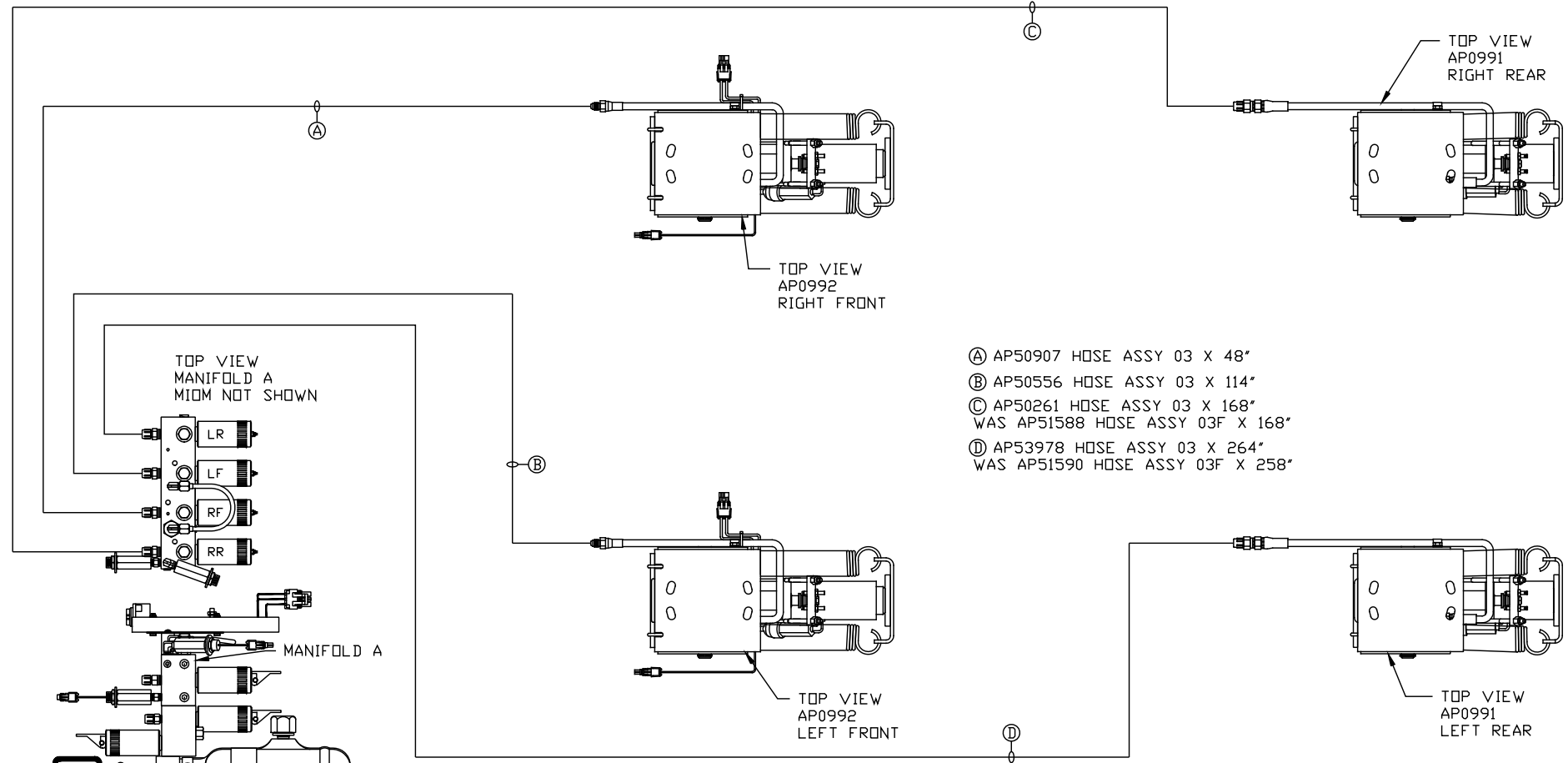
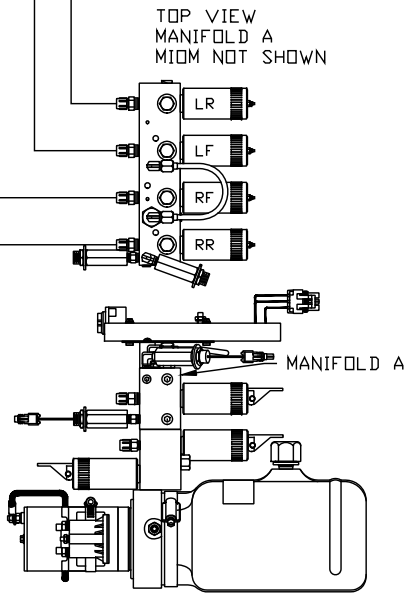


ORIENTATION  
← FRONT



- Ⓐ AP50907 HOSE ASSY 03 X 48"
- Ⓑ AP50556 HOSE ASSY 03 X 114"
- Ⓒ AP50261 HOSE ASSY 03 X 168"  
WAS AP51588 HOSE ASSY 03F X 168"
- Ⓓ AP53978 HOSE ASSY 03 X 264"  
WAS AP51590 HOSE ASSY 03F X 258"



LOCATION AND ORIENTATION OF PUMP/MANIFOLD ASSEMBLY WILL DIFFER DEPENDING UPON O.E.M.

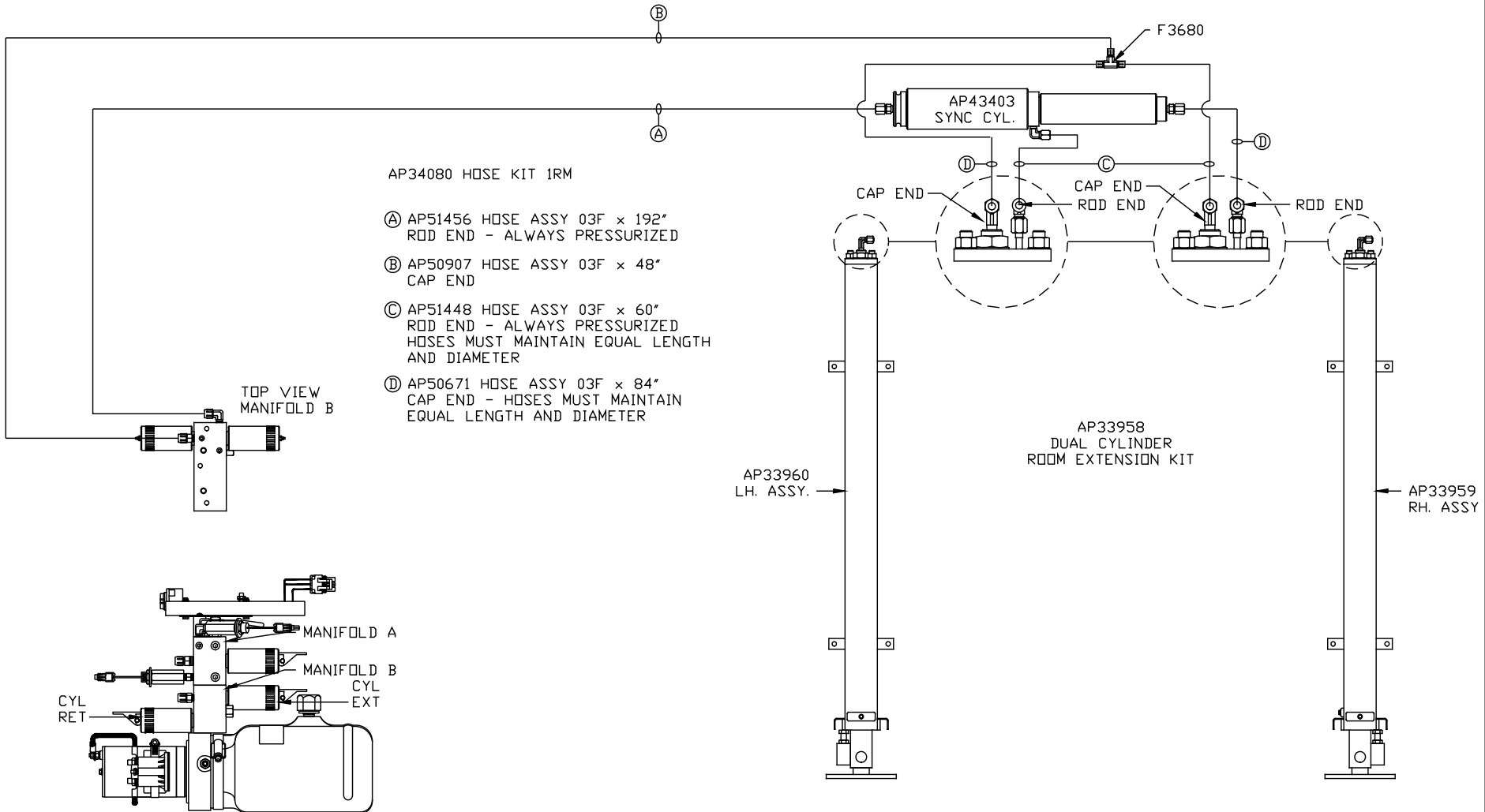
NOTE: INSTALLATION MUST CONFORM TO GOOD SHOP PRACTICES, SAE STANDARDS, RVIA STANDARDS, AND OTHER APPLICABLE STANDARDS.

LEVELING SYSTEM: AP51508

NO.	DATE	REVISION
2	05DEC22	UPDATED HOSES
1	06JUN22	CORRECTED TYPO

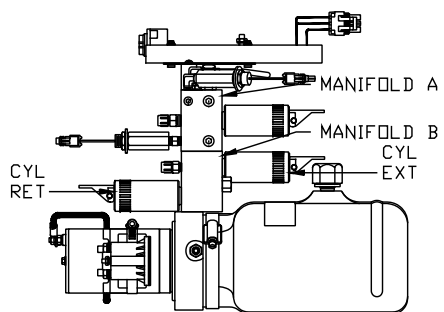
THE INFORMATION DISCLOSED ON THIS DRAWING IS CONFIDENTIAL AND MUST NOT BE DISCLOSED OR USED IN ANY MANNER WHICH WILL BE DETRIMENTAL TO THE HWH CORPORATION

<b>HWH</b>			I-80 EXIT 267 SOUTH RT 1 MOSCOW, IOWA 52760		
SCALE 1:6	DATE 22NOV13	DRAWN BY .			
<b>HYD CONN DIAGRAM</b>					
<b>COACH HOUSE</b>				DRAWING NUMBER <b>MP70680 A/B</b>	



AP34080 HOSE KIT 1RM

- Ⓐ AP51456 HOSE ASSY 03F x 192"  
ROD END - ALWAYS PRESSURIZED
- Ⓑ AP50907 HOSE ASSY 03F x 48"  
CAP END
- Ⓒ AP51448 HOSE ASSY 03F x 60"  
ROD END - ALWAYS PRESSURIZED  
HOSES MUST MAINTAIN EQUAL LENGTH  
AND DIAMETER
- Ⓓ AP50671 HOSE ASSY 03F x 84"  
CAP END - HOSES MUST MAINTAIN  
EQUAL LENGTH AND DIAMETER



SIDE VIEW PUMP/MANIFOLD-AP51126  
LOCATION AND ORIENTATION OF  
PUMP/MANIFOLD ASSEMBLY WILL  
DIFFER DEPENDING UPON O.E.M.

NOTE: INSTALLATION MUST CONFORM TO GOOD SHOP PRACTICES, SAE STANDARDS, RVIA STANDARDS, AND OTHER APPLICABLE STANDARDS.

MP70680 B/B  
22NOV13