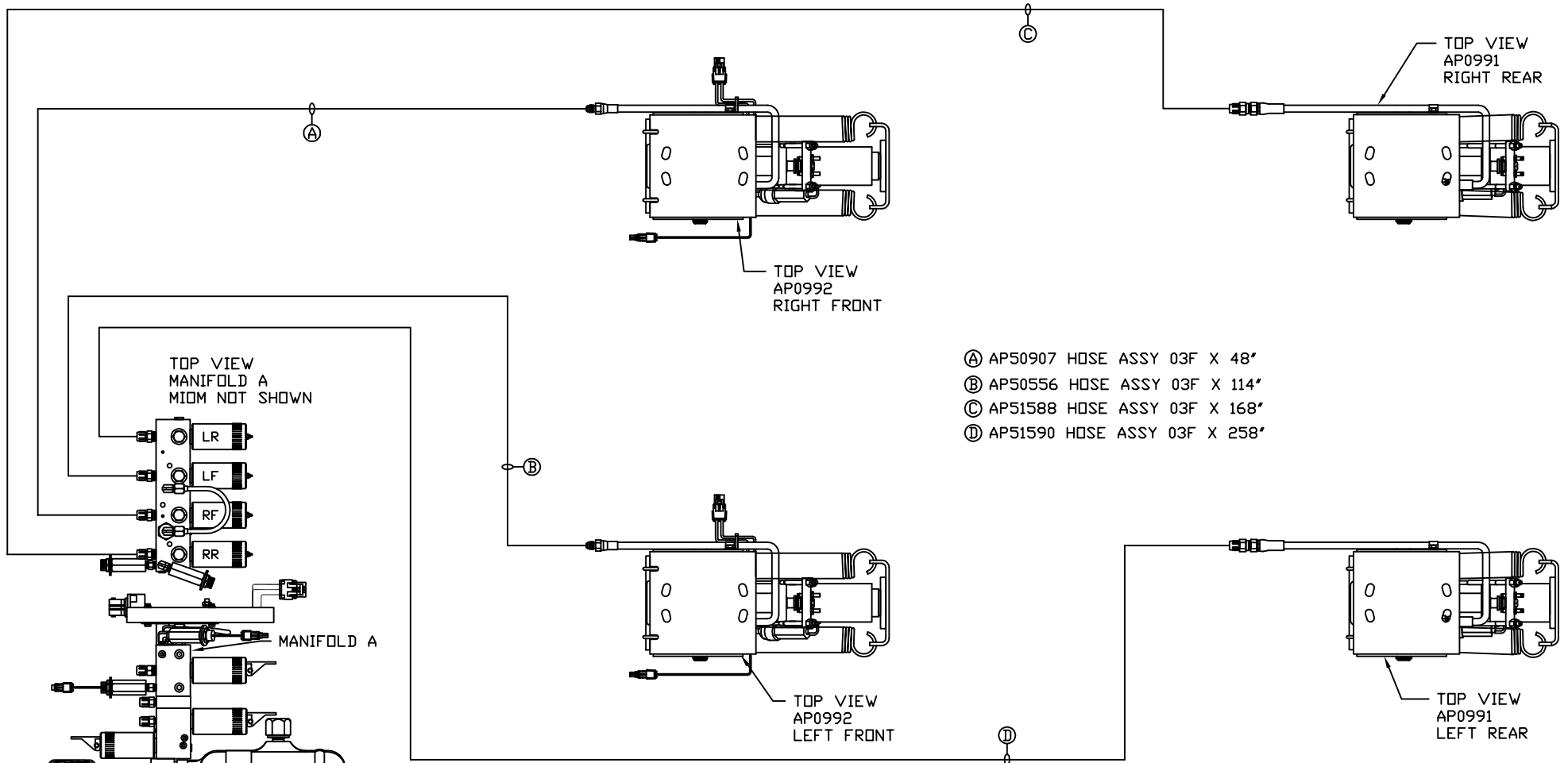


ORIENTATION
← FRONT



- Ⓐ AP50907 HOSE ASSY 03F X 48"
- Ⓑ AP50556 HOSE ASSY 03F X 114"
- Ⓒ AP51588 HOSE ASSY 03F X 168"
- Ⓓ AP51590 HOSE ASSY 03F X 258"

TOP VIEW
MANIFOLD A
MIDM NOT SHOWN

MANIFOLD A

SIDE VIEW PUMP/MANIFOLD-AP51514

LOCATION AND ORIENTATION OF
PUMP/MANIFOLD ASSEMBLY WILL
DIFFER DEPENDING UPON O.E.M.

NOTE: INSTALLATION MUST CONFORM TO GOOD SHOP PRACTICES, SAE
STANDARDS, RVIA STANDARDS, AND OTHER APPLICABLE STANDARDS.

LEVELING SYSTEM: AP51510

1	06JUN22	CORRECTED TYPO
NO.	DATE	REVISION

THE INFORMATION DISCLOSED ON THIS DRAWING IS CONFIDENTIAL AND MUST NOT BE DISCLOSED OR USED IN ANY MANNER WHICH WILL BE DETRIMENTAL TO THE HWH CORPORATION

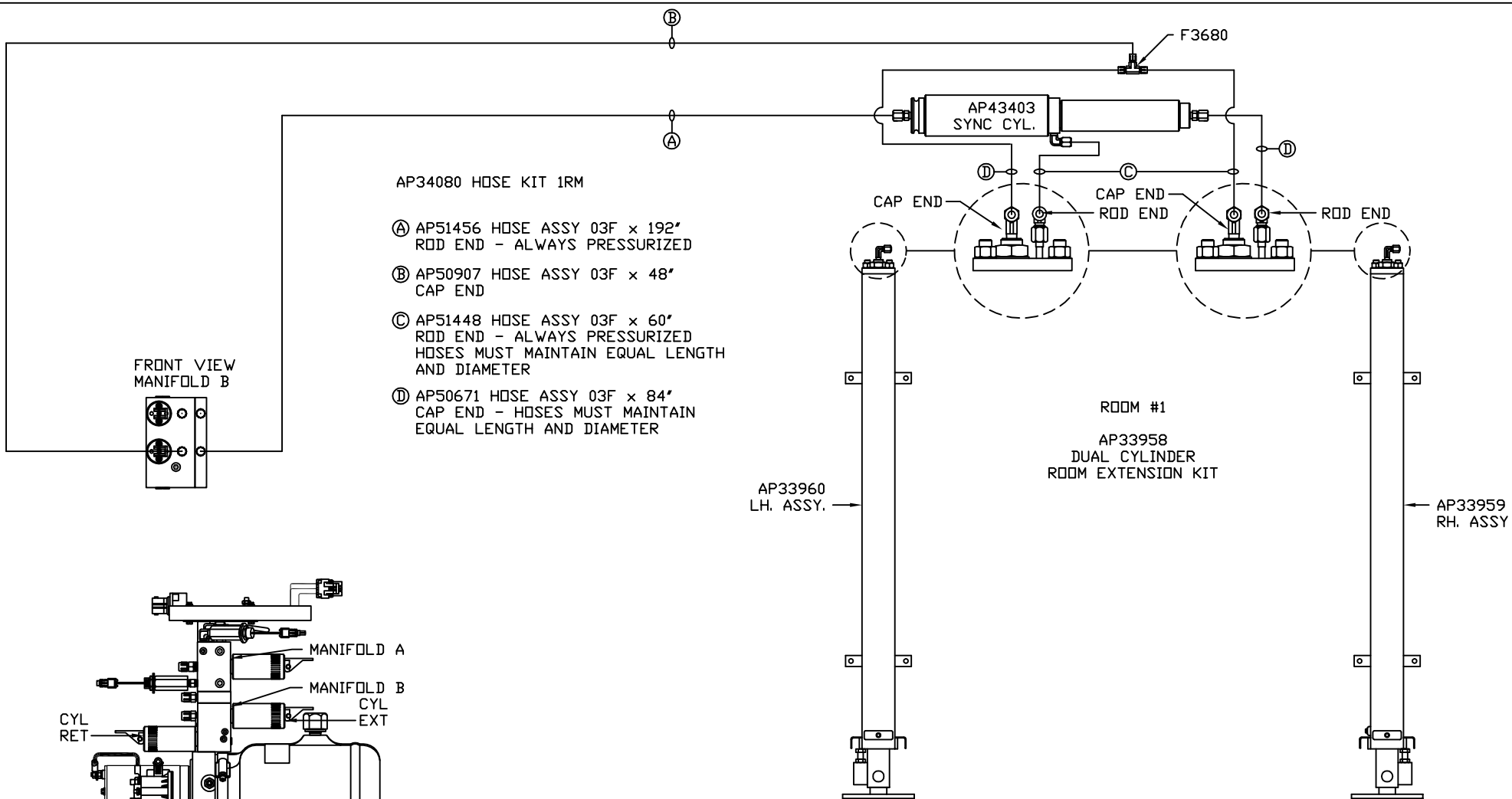
HWH I-80 EXIT 267 SOUTH
RT 1 MOSCOW, IOWA 52760

SCALE 1:6 DATE 22NOV13 DRAWN BY .

HYD CONN DIAGRAM

COACH HOUSE

DRAWING NUMBER
MP70681 A/C



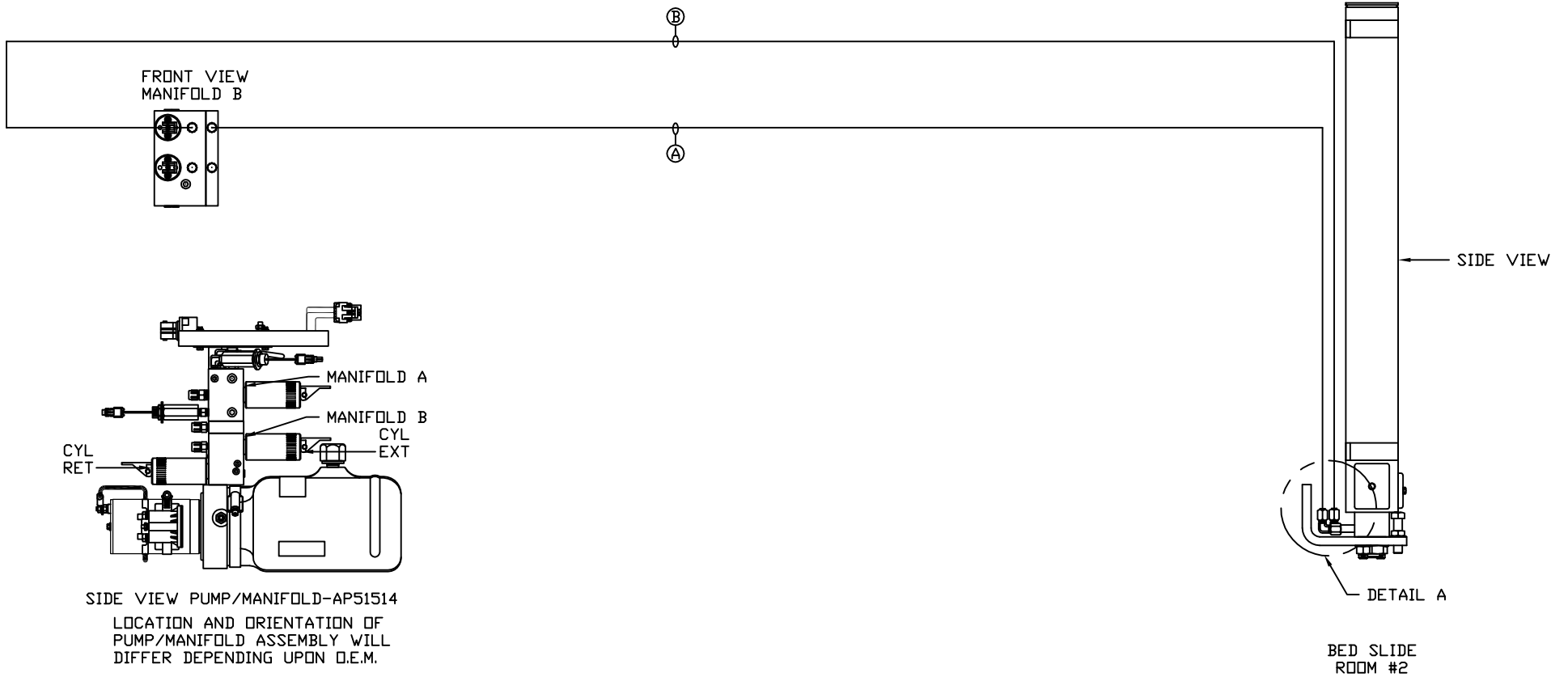
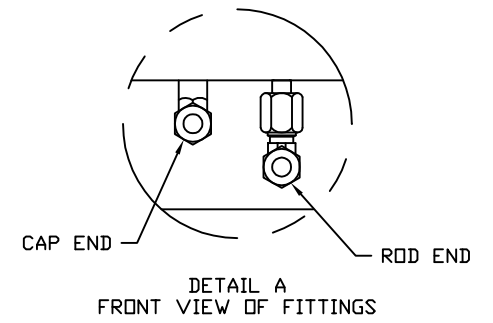
NOTE: INSTALLATION MUST CONFORM TO GOOD SHOP PRACTICES, SAE STANDARDS, RVIA STANDARDS, AND OTHER APPLICABLE STANDARDS.

MP70681 B/C
22NOV13

AP28723 HOSE KIT 1 RE

Ⓐ AP51589 HOSE ASSY 03F x 228'
ROD END - ALWAYS PRESSURIZED

Ⓑ AP50911 HOSE ASSY 03F x 240'
CAP END



NOTE: INSTALLATION MUST CONFORM TO GOOD SHOP PRACTICES, SAE STANDARDS, RVIA STANDARDS, AND OTHER APPLICABLE STANDARDS.

MP70681 C/C
22NOV13