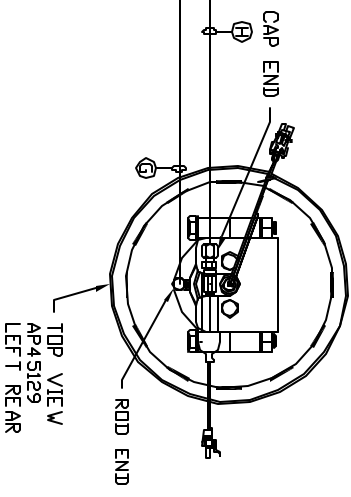
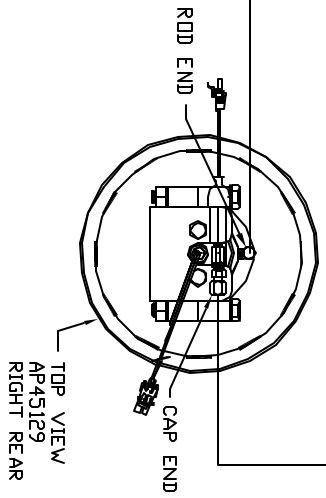
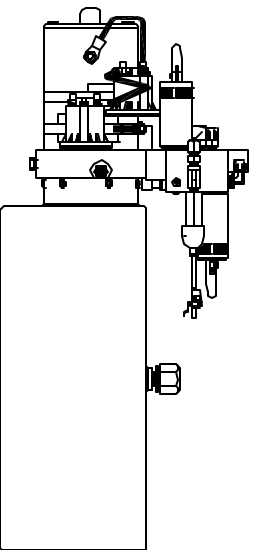
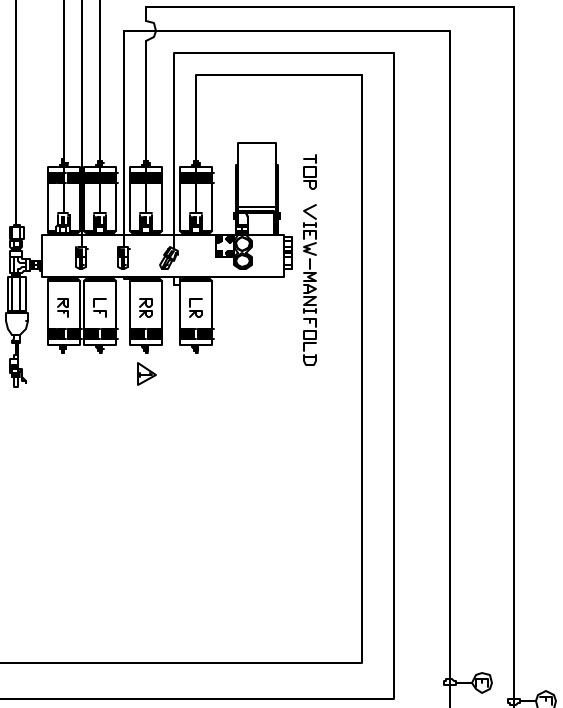
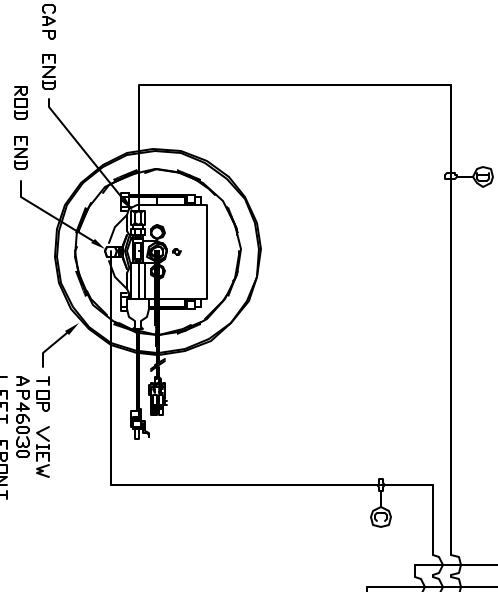
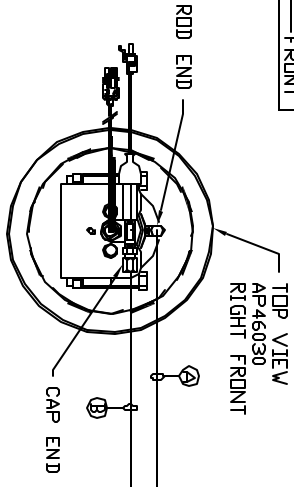


ORIENTATION
FRONT



- Ⓐ AP5384 HOSE ASSY .25" x 116' - RF RDD END
- Ⓑ AP45250 HOSE ASSY .25/05 x 96' - RF CAP END
- Ⓒ AP10913 HOSE ASSY .25" x 161' - LF RDD END
- Ⓓ AP44283 HOSE ASSY .25/05 x 144' - LF CAP END
- Ⓔ AP5561 HOSE ASSY .25" x 336' - RR RDD END
- Ⓕ AP46636 HOSE ASSY .25/05 x 318' - RR CAP END
- Ⓖ AP4948 HOSE ASSY .25" x 390' - LR RDD END
- Ⓗ AP46312 HOSE ASSY .25/05 x 372' - LR CAP END

NOTE: INSTALLATION MUST CONFORM TO GOOD SHOP PRACTICES, SAE STANDARDS, RVIA STANDARDS, AND OTHER APPLICABLE STANDARDS.

LEVELING SYSTEM AP52457

NO.	DATE	REV.	DESCRIPTION
1	06MAY15		CORR. CAP / RDD

HW H 1-80 EXT 267 SOUTH
 RT 1 MOSCOW, IOWA 52760
 SCALE 1:6 DATE 14NOV13 DRAWN BY .
HYD CONN DIAGRAM
 FARBER DRAWING NUMBER MP70693

THE INFORMATION DISCLOSED IN THIS DRAWING IS CONFIDENTIAL AND MUST NOT BE DISCLOSED OR USED IN ANY MANNER WHICH WILL BE DETRIMENTAL TO THE IHH CORPORATION