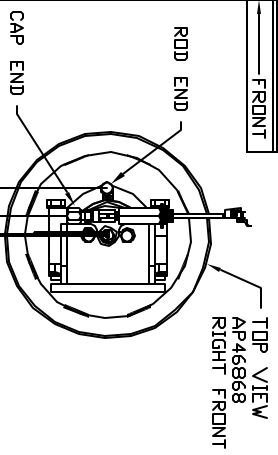
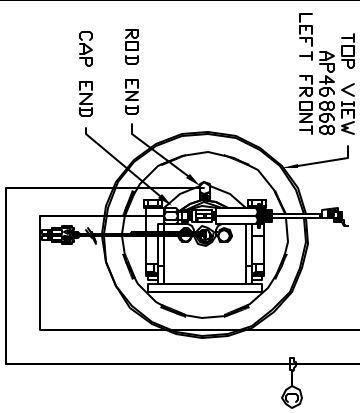


ORIENTATION
FRONT

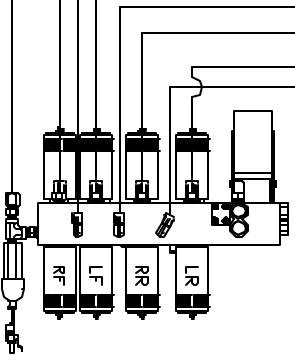


A
B

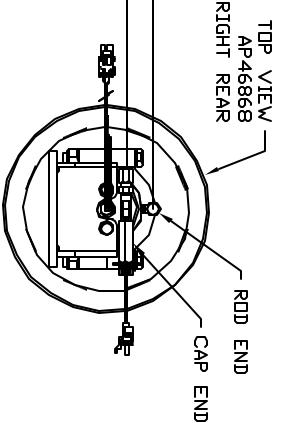
TOP VIEW
AP46868
LEFT FRONT



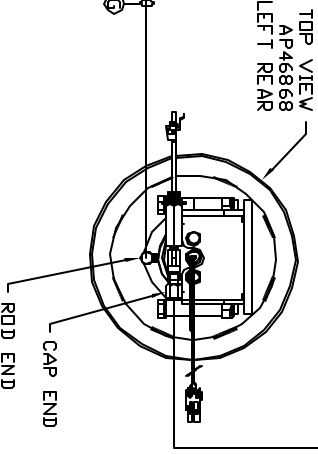
TOP VIEW-MANIFOLD



E
F



TOP VIEW
AP46868
LEFT REAR



- Ⓐ AP4669 HOSE ASSY .25" x 408" - RF RODD END
- Ⓑ AP45372 HOSE ASSY .25/05 x 384" - RF CAP END
- Ⓒ AP4904 HOSE ASSY .25" x 306" - LF RODD END
- Ⓓ AP46637 HOSE ASSY .25/05 x 288" - LF CAP END
- Ⓔ AP4904 HOSE ASSY .25" x 306" - RR RODD END
- Ⓕ AP46637 HOSE ASSY .25/05 x 288" - RR CAP END
- Ⓖ AP4061 HOSE ASSY .25" x 216" - LR RODD END
- Ⓗ AP46310 HOSE ASSY .25/05 x 192" - LR CAP END

SIDE VIEW PUMP/MANIFOLD-AP46783
LOCATION AND ORIENTATION OF
PUMP/MANIFOLD ASSEMBLY WILL
DIFFER DEPENDING UPON DEM.

NOTE: INSTALLATION MUST CONFORM TO GOOD SHIP PRACTICES, SAE STANDARDS, RVIA STANDARDS, AND OTHER APPLICABLE STANDARDS.

LEVELING SYSTEM AFS2879

NO.	DATE	REVISION

HW	1-80 EXT 267 SOUTH
DATE	26NOV13
SCALE	1:6
DRWING NO.	MP70714
HYD CONN DIAGRAM	
ITB	

THE INFORMATION DISCLOSED IN THIS DRAWING IS CONFIDENTIAL AND MUST NOT BE DISCLOSED OR USED IN ANY MANNER WHICH WILL BE DETRIMENTAL TO THE IAH CORPORATION