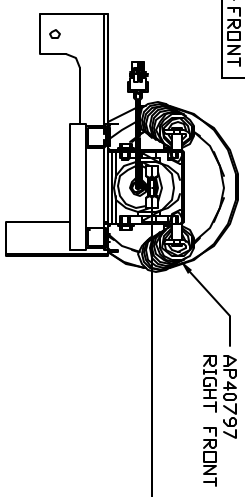
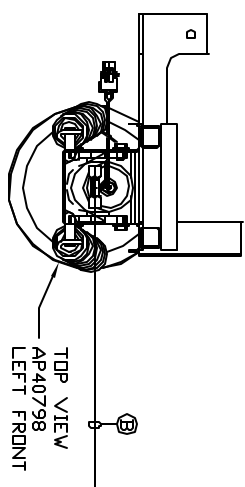


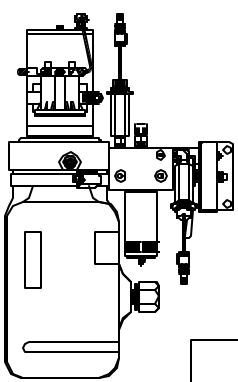
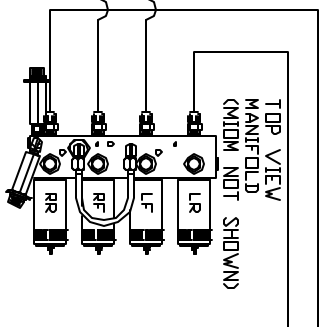
ORIENTATION
FRONT



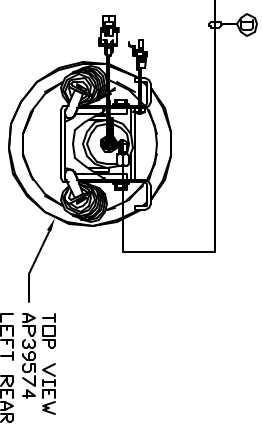
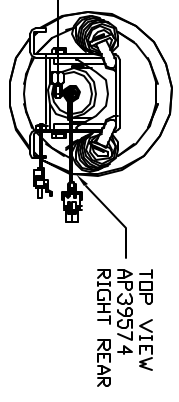
CROSS TIE REQUIRED
FOR FRONT AND REAR JACKS.



- Ⓐ AP7832 HOSE ASSY .25" x 100'
- Ⓑ AP6115 HOSE ASSY .25" x 168'
- Ⓒ AP6115 HOSE ASSY .25" x 168'
- Ⓓ AP4061 HOSE ASSY .25" x 216'



LOCATION AND ORIENTATION OF
PUMP/MANIFOLD ASSEMBLY WILL
DIFFER DEPENDING UPON DEM.



NOTE: INSTALLATION MUST CONFORM TO GOOD SHIP PRACTICES, SAE STANDARDS, RVIA STANDARDS, AND OTHER APPLICABLE STANDARDS.

LEVELING SYSTEM: AP91443

NO.	DATE	REVISION

THE INFORMATION DISCLOSED IN THIS DRAWING IS CONFIDENTIAL AND MUST NOT BE DISCLOSED OR USED IN ANY MANNER WHICH WILL BE DETRIMENTAL TO THE IAH CORPORATION

HWH 1-80 EXT 267 SOUTH
RT 1 MOSCOW, IOWA 52760

SCALE 1:6 DATE 06DEC13 DRAWN BY .

HYD CONN DIAGRAM

TELETEC DRAWING NUMBER MP70719