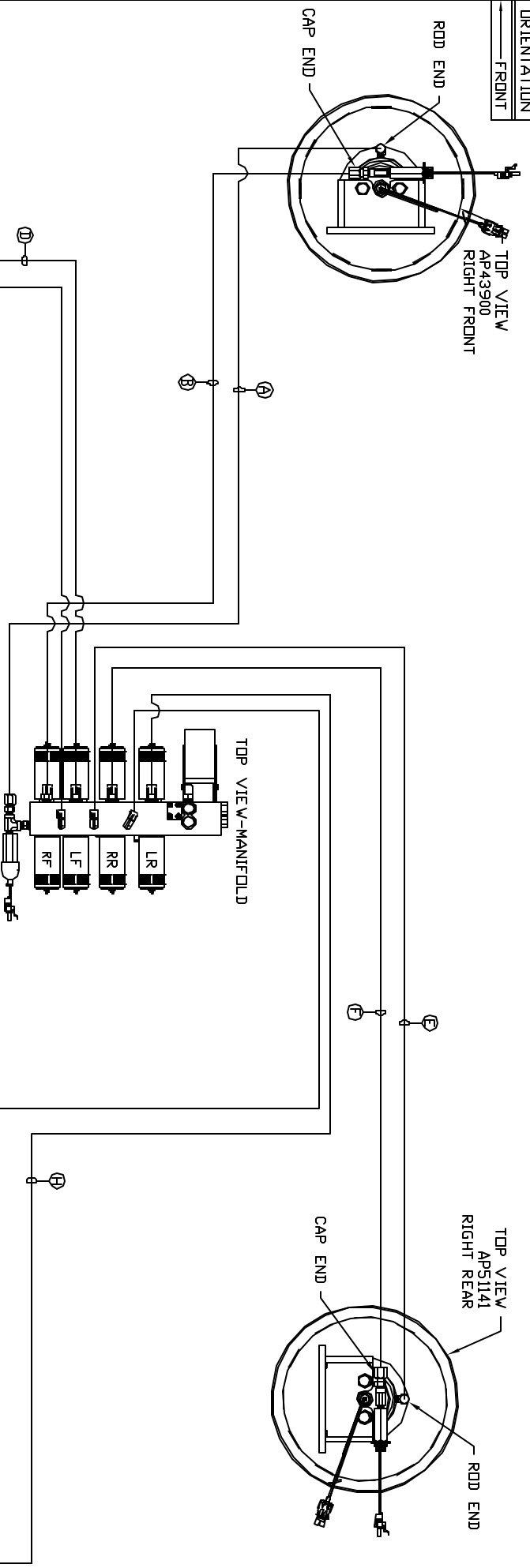
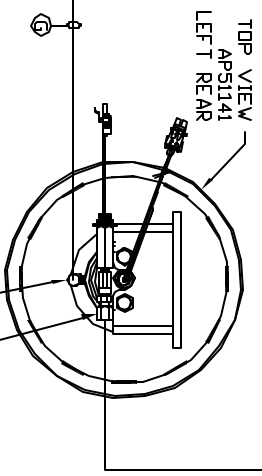
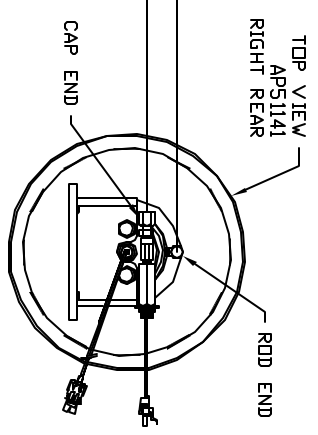
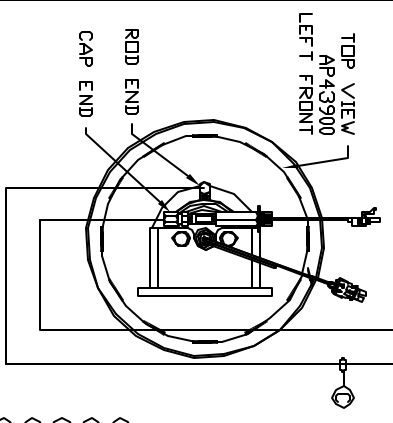
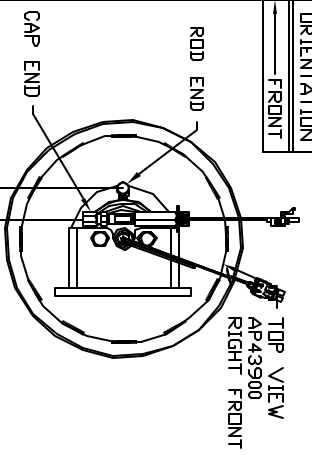


ORIENTATION  
FRONT



- Ⓐ AP7178 HOSE ASSY .25" x 500' - RF ROD END
- Ⓑ AP47474 HOSE ASSY .25/05 x 480' - RF CAP END
- Ⓒ AP7175 HOSE ASSY .25" x 530' - LF ROD END
- Ⓓ AP49419 HOSE ASSY .25/05 x 516' - LF CAP END
- Ⓔ AP4827 HOSE ASSY .25" x 144' - RR ROD END
- Ⓕ AP44863 HOSE ASSY .25/05 x 132' - RR CAP END
- Ⓖ AP4310 HOSE ASSY .25" x 204' - LR ROD END
- Ⓗ AP43436 HOSE ASSY .25/05 x 180' - LR CAP END

SIDE VIEW PUMP/MANIFOLD-AP46783  
LOCATION AND ORIENTATION OF PUMP/MANIFOLD ASSEMBLY WILL DIFFER DEPENDING UPON DEM.

NOTE: INSTALLATION MUST CONFORM TO GOOD SHIP PRACTICES, SAE STANDARDS, RVIA STANDARDS, AND OTHER APPLICABLE STANDARDS.

LEVELING SYSTEM: AP92251

NO.	DATE	REVISION

THE INFORMATION DISCLOSED IN THIS DRAWING IS CONFIDENTIAL AND MUST NOT BE DISCLOSED OR USED IN ANY MANNER WHICH WILL BE DETRIMENTAL TO THE IAH CORPORATION

HWH 1-80 EXT 267 SOUTH  
RT 1 MOSCOV, IOWA 52760

SCALE 1:6 DATE 08DEC13 DRAWN BY .

HYD CONN DIAGRAM

TRUCKVAN DRAWING NUMBER MP70735