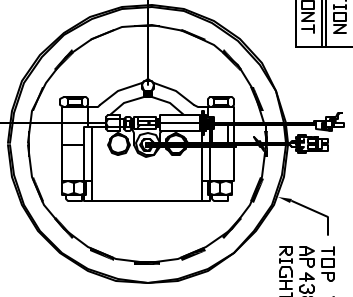
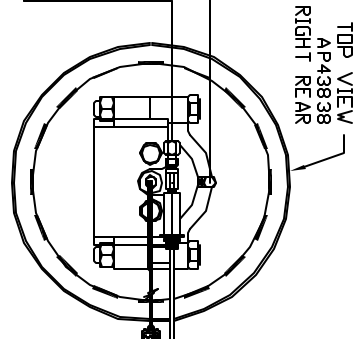


ORIENTATION  
FRONT

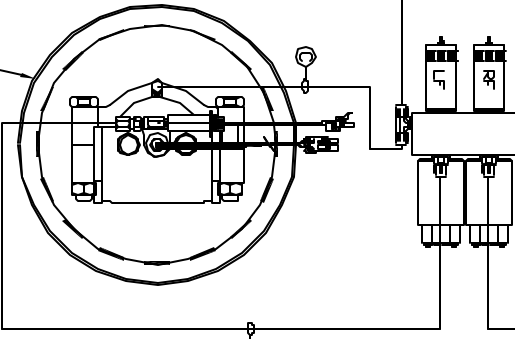


- Ⓐ AP6117 HOSE ASSY .25" X 432" ROD END RIGHT FRONT JACK
- Ⓑ AP44862 HOSE ASSY .25/05 X 408" CAP END RIGHT FRONT JACK
- Ⓒ AP2464 HOSE ASSY .25" X 324" ROD END LEFT FRONT JACK
- Ⓓ AP45371 HOSE ASSY .25/05 X 300" CAP END LEFT FRONT JACK
- Ⓔ AP4061 HOSE ASSY .25" X 216" ROD END LEFT REAR JACK

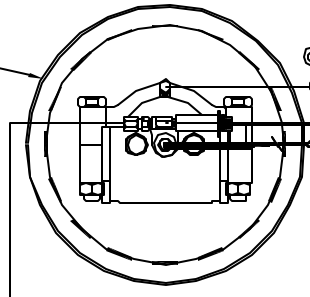
- Ⓕ AP46310 HOSE ASSY .25/05 X 192" CAP END LEFT REAR JACK
- Ⓖ AP13851 HOSE ASSY .25" X 318" ROD END RIGHT REAR JACK
- Ⓖ AP46545 HOSE ASSY .25/05 X 294" CAP END RIGHT REAR JACK
- Ⓗ AP4063 HOSE ASSY .25" X 288" PRESSURE
- Ⓖ P42537 RETURN LINE .5" X 324" RETURN



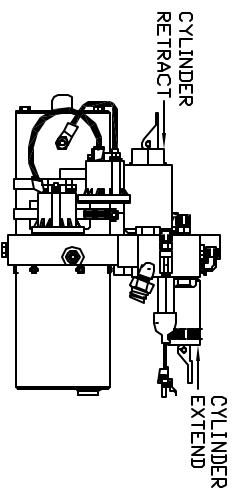
TOP VIEW  
MANIFOLD  
AP46309



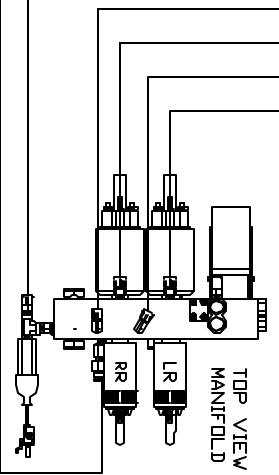
TOP VIEW  
AP43838  
LEFT FRONT



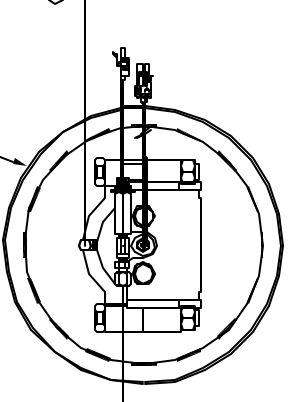
SIDE VIEW OF PUMP/MANIFOLD-AP46544



TOP VIEW  
MANIFOLD



TOP VIEW  
AP43838  
LEFT REAR



NOTE: INSTALLATION MUST CONFORM TO GOOD SHOP PRACTICES, SAE STANDARDS, RVIA STANDARDS, AND OTHER APPLICABLE STANDARDS.

NO.	DATE	REVISION

THE INFORMATION DISCLOSED IN THIS DRAWING IS CONFIDENTIAL AND MUST NOT BE DISCLOSED OR USED IN ANY MANNER WHICH WILL BE DETRIMENTAL TO THE IHH CORPORATION

HYD CONN DIAGRAM

TRIVAN TRUCK BODY TEXAS

DRAWING NUMBER MP70741

HWH 1-80 EXIT 267 SOUTH  
RT 1 MOSCOW, INVA 52760

SCALE 1:6 DATE 11DEC13 DRAWN BY .