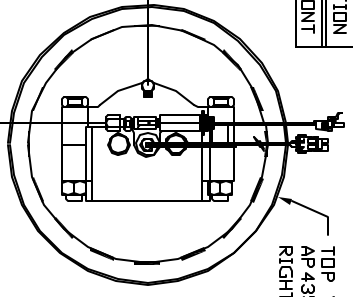
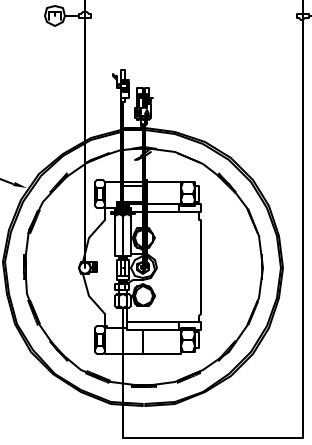
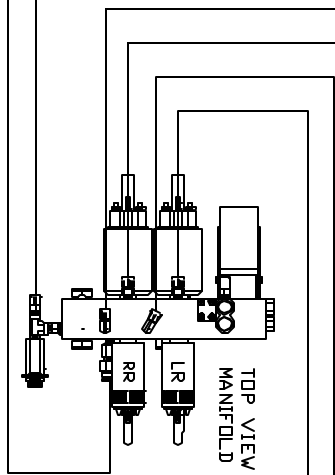
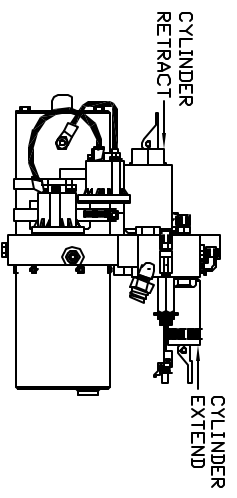
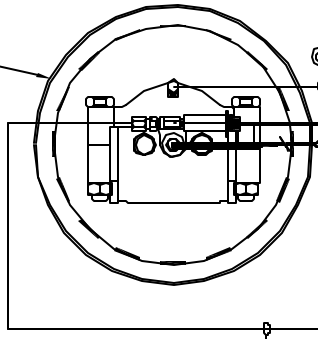
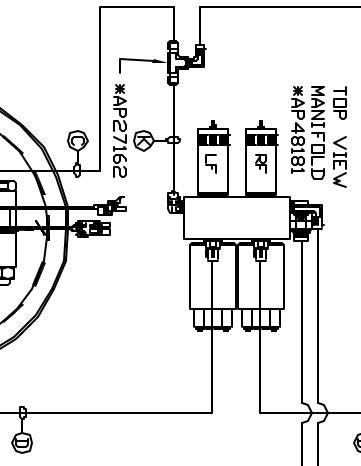
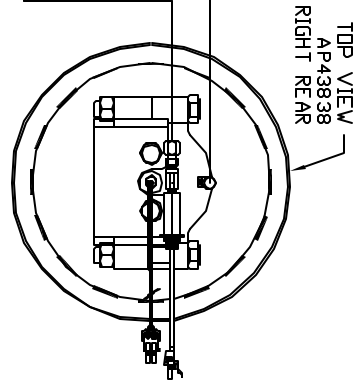


ORIENTATION
FRONT



- Ⓐ AP7358 HOSE ASSY .25" X 175" ROD END RIGHT FRONT JACK
- Ⓑ AP22077 HOSE ASSY .313" X 156" CAP END RIGHT FRONT JACK
- Ⓒ AP6601 HOSE ASSY .25" X 198" ROD END LEFT FRONT JACK
- Ⓓ AP19013 HOSE ASSY .313" X 180" CAP END LEFT FRONT JACK
- Ⓔ AP7181 HOSE ASSY .25" X 510" ROD END LEFT REAR JACK

- Ⓕ AP40660 HOSE ASSY .313" X 192" CAP END LEFT REAR JACK
- Ⓖ AP7135 HOSE ASSY .25" X 516" ROD END RIGHT REAR JACK
- Ⓖ AP25654 HOSE ASSY .313" X 504" CAP END RIGHT REAR JACK
- Ⓛ *AP4060 HOSE ASSY .25" X 24" PRESSURE
- Ⓜ *M401501 NYLON TUBING 5' DD RETURN
- Ⓟ *AP5212 HOSE ASSY .25" X 15"



SIDE VIEW OF PUMP/MANIFOLD-*AP46544
LOCATION AND ORIENTATION OF PUMP/MANIFOLD ASSEMBLY WILL DIFFER DEPENDING UPON DEM.
* NOTE: PART OF AP48182 POWER CONTROL

NOTE: INSTALLATION MUST CONFORM TO GOOD SHOP PRACTICES, SAE STANDARDS, RYLA STANDARDS, AND OTHER APPLICABLE STANDARDS.

LEVELING SYSTEM: AP53238

NO.	DATE	REVISION

THE INFORMATION DISCLOSED IN THIS DRAWING IS CONFIDENTIAL AND MUST NOT BE DISCLOSED OR USED IN ANY MANNER WHICH WILL BE DETRIMENTAL TO THE INH CORPORATION

HWH 1-80 EXT 267 SOUTH
RT 1 MOSCOW, IDVA 52760

SCALE 1:6 DATE 26FEB14 DRAWN BY .

HYD CONN DIAGRAM

KELLY TRAILER

DRAWING NUMBER MP70755