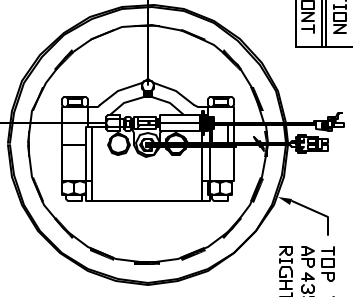
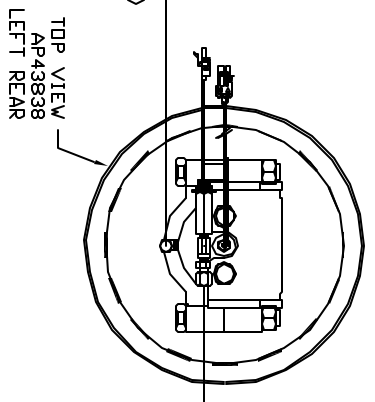
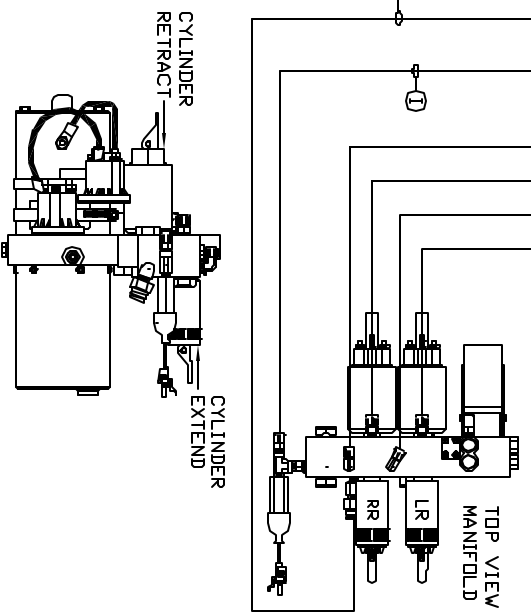
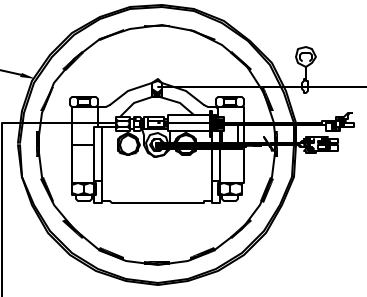
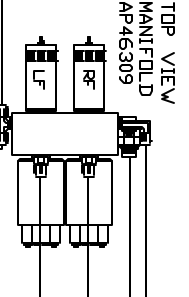
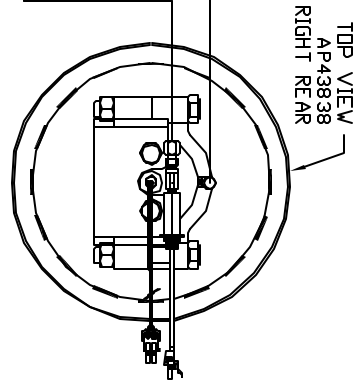


ORIENTATION
FRONT



- Ⓐ AP6117 HOSE ASSY .25" X 432" ROD END RIGHT FRONT JACK
- Ⓑ AP44862 HOSE ASSY .25/05 X 408" CAP END RIGHT FRONT JACK
- Ⓒ AP2464 HOSE ASSY .25" X 324" ROD END LEFT FRONT JACK
- Ⓓ AP45371 HOSE ASSY .25/05 X 300" CAP END LEFT FRONT JACK
- Ⓔ AP4061 HOSE ASSY .25" X 216" ROD END LEFT REAR JACK

- Ⓕ AP46310 HOSE ASSY .25/05 X 192" CAP END LEFT REAR JACK
- Ⓖ AP13851 HOSE ASSY .25" X 318" ROD END RIGHT REAR JACK
- Ⓖ AP46545 HOSE ASSY .25/05 X 294" CAP END RIGHT REAR JACK
- Ⓗ AP4063 HOSE ASSY .25" X 288" PRESSURE
- Ⓖ P42537 RETURN LINE .5" X 324" RETURN



NOTE: INSTALLATION MUST CONFORM TO GOOD SHOP PRACTICES, SAE STANDARDS, RYLA STANDARDS, AND OTHER APPLICABLE STANDARDS.

NO.	DATE	REVISION

THE INFORMATION DISCLOSED IN THIS DRAWING IS CONFIDENTIAL AND MUST NOT BE DISCLOSED OR USED IN ANY MANNER WHICH WILL BE DETRIMENTAL TO THE INH CORPORATION

HYD CONN DIAGRAM

TRIVAN TRUCK BODY TEXAS

DRAWING NUMBER MP70765

SCALE 1:6 DATE 28FEB14 DRAWN BY

HWH I-80 EXIT 267 SOUTH RT 1 MOSCOW, IDWA 52760