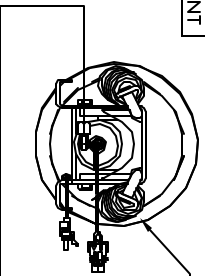
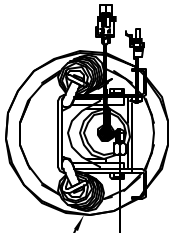


ORIENTATION
FRONT



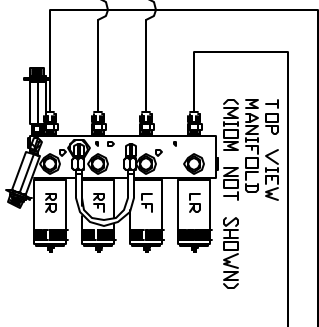
TOP VIEW
AP39574
RIGHT FRONT

CROSS TIE REQUIRED
FOR FRONT AND REAR JACKS.

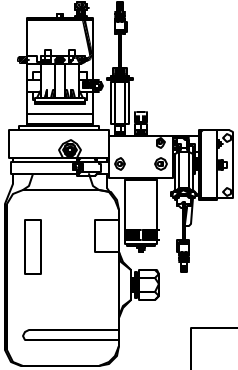


TOP VIEW
AP39574
LEFT FRONT

- Ⓐ AP4162 HOSE ASSY .25" x 192"
- Ⓑ AP4161 HOSE ASSY .25" x 120"
- Ⓒ AP4163 HOSE ASSY .25" x 360"
- Ⓓ AP5216 HOSE ASSY .25" x 312"

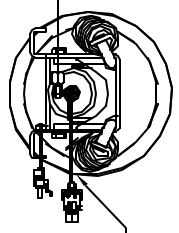


TOP VIEW
MANIFOLD
(MIDM NOT SHOWN)

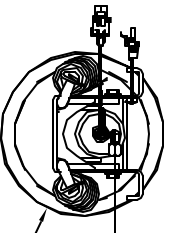


SIDE VIEW PUMP/MANIFOLD-AP47473

LOCATION AND ORIENTATION OF
PUMP/MANIFOLD ASSEMBLY WILL
DIFFER DEPENDING UPON DEM.



TOP VIEW
AP39574
RIGHT REAR



TOP VIEW
AP39574
LEFT REAR

NOTE: INSTALLATION MUST CONFORM TO GOOD SHOP PRACTICES, SAE STANDARDS, RVIA STANDARDS, AND OTHER APPLICABLE STANDARDS.

LEVELING SYSTEM: AP53632

NO.	DATE	REVISION

SCALE 1:6	DATE 20MAY14	DRAWN BY .
HWH 1-80 EXIT 267 SOUTH RT 1 MOSCOW, IOWA 52760		
HYD CONN DIAGRAM		
PACIFIC CATER	DRAWING NUMBER MP70784	

THE INFORMATION DISCLOSED IN THIS DRAWING IS CONFIDENTIAL AND MUST NOT BE DISCLOSED OR USED IN ANY MANNER WHICH WILL BE DETRIMENTAL TO THE IAH CORPORATION