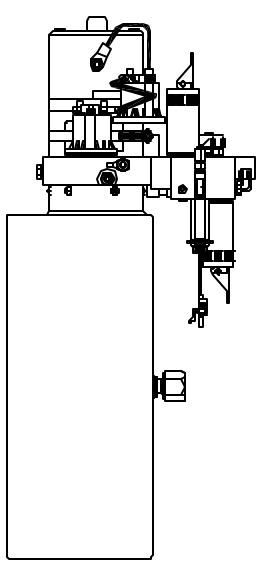
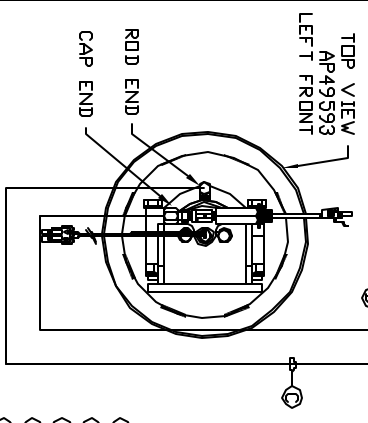
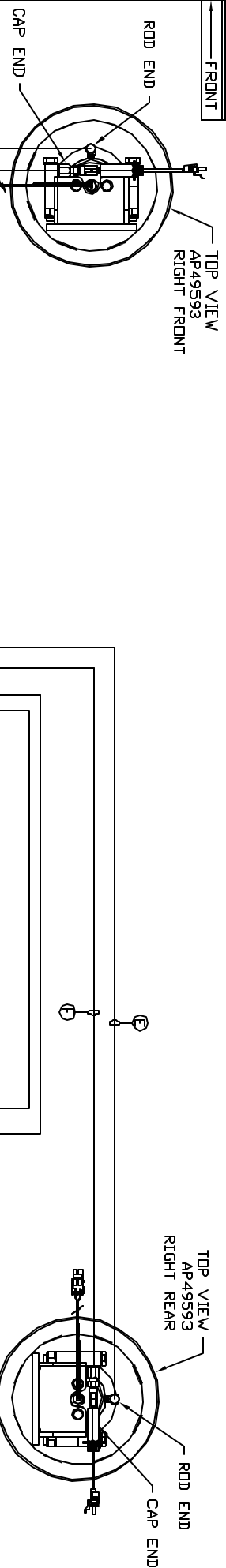


ORIENTATION
FRONT



SIDE VIEW PUMP/MANIFOLD-AP46783
LOCATION AND ORIENTATION OF
PUMP/MANIFOLD ASSEMBLY WILL
DIFFER DEPENDING UPON DEM.

- Ⓐ AP5562 HOSE ASSY 04 x 276' - RF ROD END
- Ⓑ AP6638 HOSE ASSY 05 x 300' - RF CAP END
- Ⓒ AP5965 HOSE ASSY 04 x 180' - LF ROD END
- Ⓓ AP22078 HOSE ASSY 05 x 204' - LF CAP END
- Ⓔ AP27563 HOSE ASSY 04 x 416' - RR ROD END
- Ⓕ AP49418 HOSE ASSY .25/05 x 444' - RR CAP END
- Ⓖ AP2464 HOSE ASSY 04 x 324' - LR ROD END
- Ⓗ AP49598 HOSE ASSY .25/05 x 342' - LR CAP END

NOTE: INSTALLATION MUST CONFORM TO GOOD SHIP PRACTICES, SAE STANDARDS, RVIA STANDARDS, AND OTHER APPLICABLE STANDARDS.

LEVELING SYSTEM: AFS3887

NO.	DATE	REVISION
1	13AUG14	UPDATED HOSES

THE INFORMATION DISCLOSED IN THIS DRAWING IS CONFIDENTIAL AND MUST NOT BE DISCLOSED OR USED IN ANY MANNER WHICH WILL BE DETRIMENTAL TO THE IAH CORPORATION

HWH 1-80 EXT 267 SOUTH
RT 1 MOSCOV, IOWA 52760

SCALE 1:6 DATE 26FEB14 DRAWN BY .

HYD CONN DIAGRAM

KY TRAILER

DRAWING NUMBER MP70793