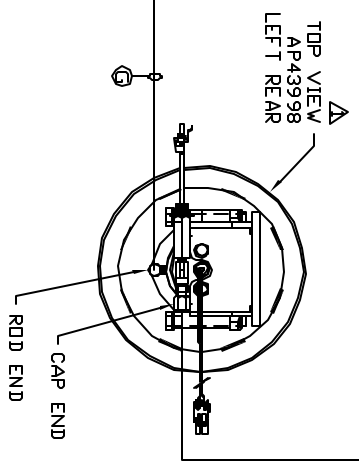
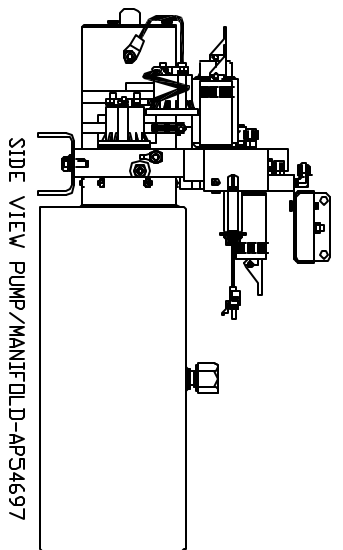
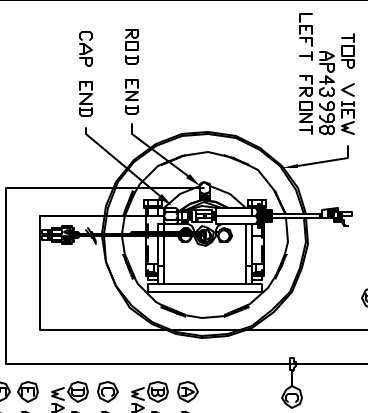
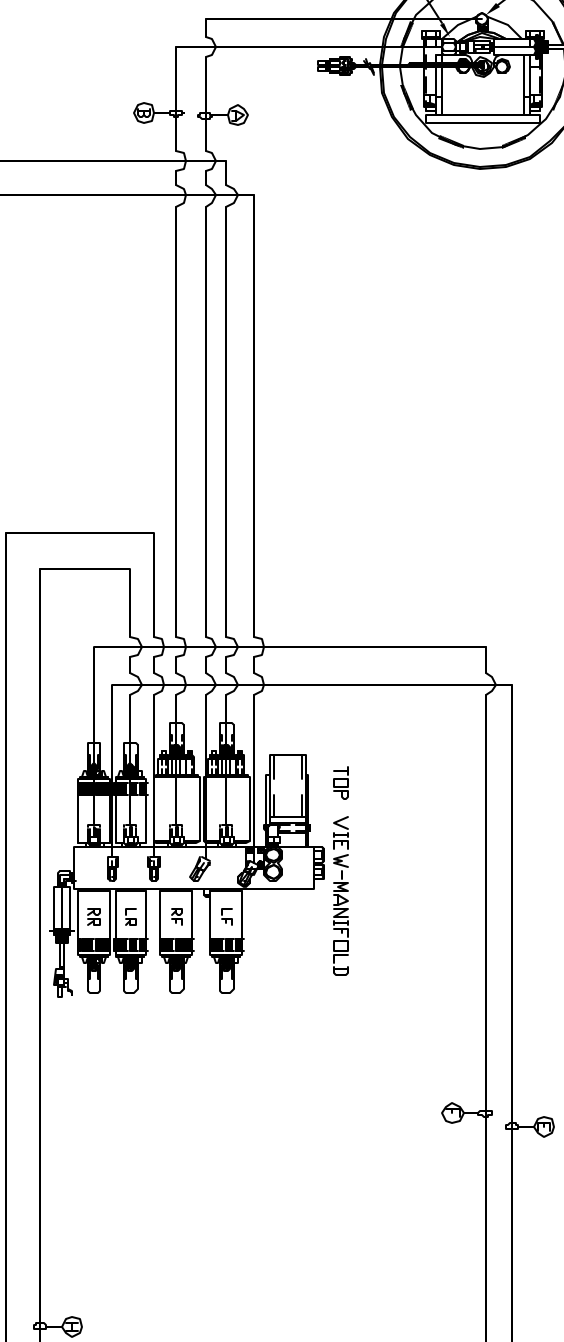
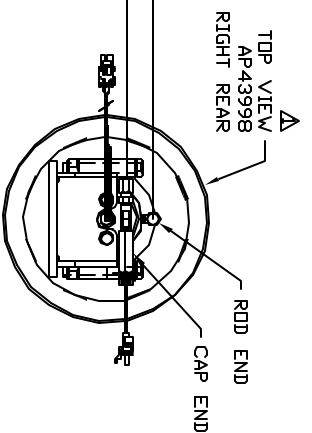
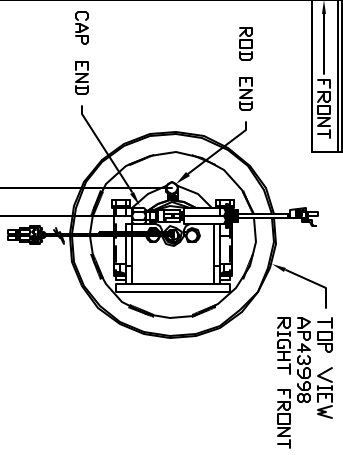


ORIENTATION  
FRONT



- Ⓐ AP53965 HOSE ASSY 04 x 138" - RF RODD END
- Ⓑ AP7818 HOSE ASSY 05 x 120" - RF CAP END Δ
- Ⓒ AP43250 HOSE ASSY .25/05 x 120"
- Ⓓ AP53965 HOSE ASSY 04 x 138" - LF RODD END
- Ⓔ AP7818 HOSE ASSY 05 x 120" - LF CAP END Δ
- Ⓕ AP43250 HOSE ASSY .25/05 x 120"
- Ⓖ AP4164 HOSE ASSY 04 x 384" - RR RODD END
- Ⓗ AP8381 HOSE ASSY 05 x 360" - RR CAP END Δ
- Ⓙ AP50407 HOSE ASSY .25/05 x 360"
- Ⓚ AP4164 HOSE ASSY 04 x 384" - LR RODD END
- Ⓛ AP8381 HOSE ASSY 05 x 360" - LR CAP END Δ
- Ⓜ AP50407 HOSE ASSY .25/05 x 360"

NOTE: INSTALLATION MUST CONFORM TO GOOD SHIP PRACTICES, SAE STANDARDS, RVIA STANDARDS, AND OTHER APPLICABLE STANDARDS. LEVELING SYSTEM: AP54653

NO.	DATE	REVISION
Δ	16FEB16	WAS AP46868, J/P/D HOSES
ND		

THE INFORMATION DISCLOSED IN THIS DRAWING IS CONFIDENTIAL AND MUST NOT BE DISCLOSED OR USED IN ANY MANNER WHICH WILL BE DETRIMENTAL TO THE IWH CORPORATION

SCALE 1:6 DATE 16JAN15 DRAWN BY .

HYD CONN DIAGRAM

HW H I-80 EXT 267 SOUTH  
RT 1 MOSCOV, IOWA 52760

MICKEY DRAWING NUMBER MP70847