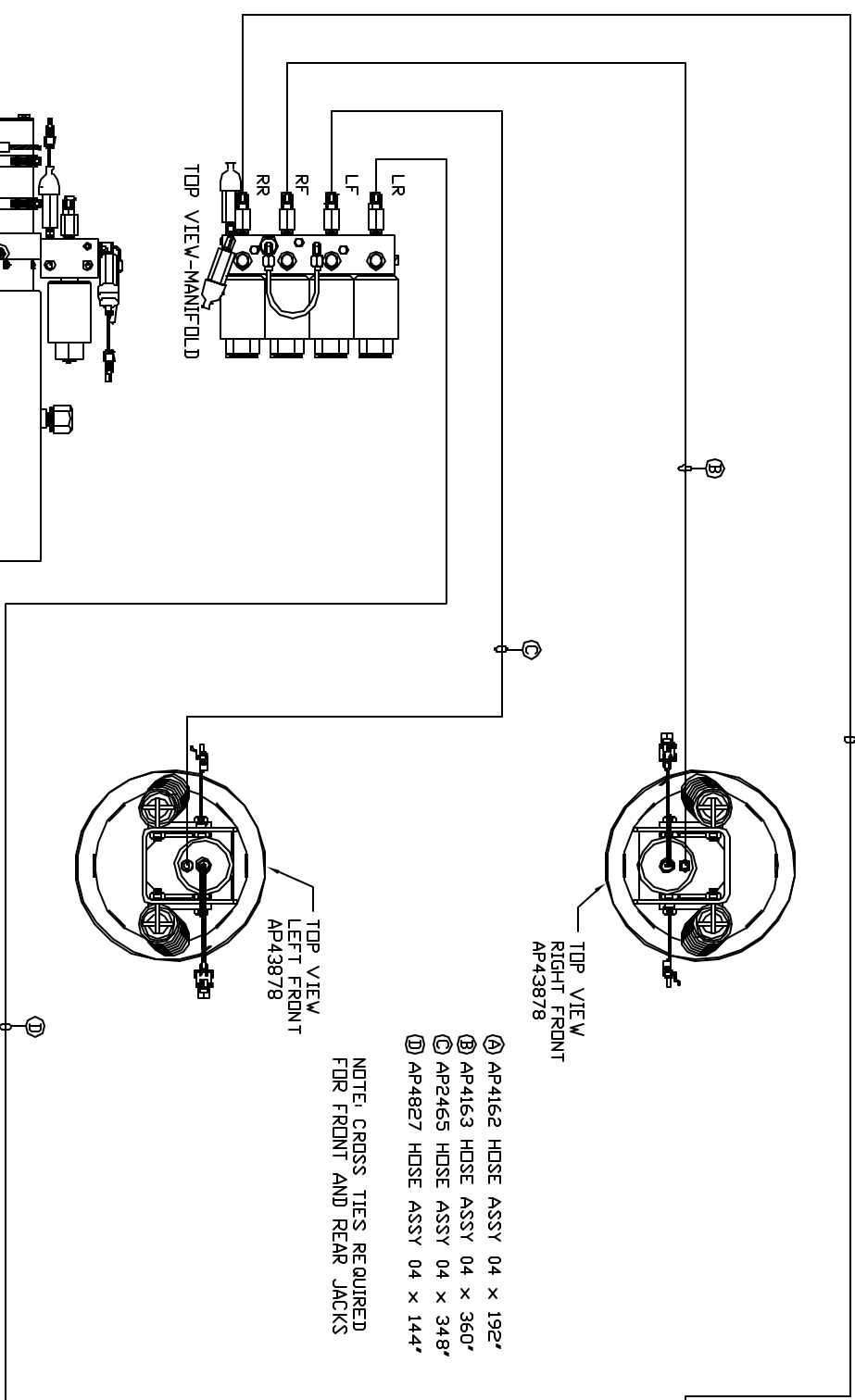
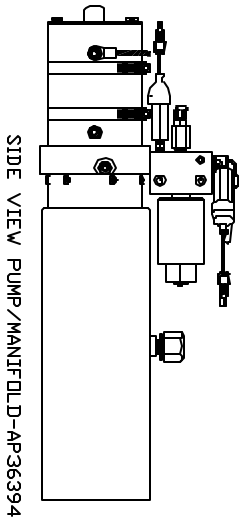


ORIENTATION
FRONT



- Ⓐ AP4162 HOSE ASSY 04 x 192'
- Ⓑ AP4163 HOSE ASSY 04 x 360'
- Ⓒ AP2465 HOSE ASSY 04 x 348'
- Ⓓ AP4827 HOSE ASSY 04 x 144'

NOTE: CROSS TIES REQUIRED FOR FRONT AND REAR JACKS



SIDE VIEW PUMP/MANIFOLD-AP36394
LOCATION AND ORIENTATION OF PUMP/MANIFOLD ASSEMBLY WILL DIFFER DEPENDING UPON O.E.M.

NOTE: INSTALLATION MUST CONFORM TO GOOD SHOP PRACTICES, SAE STANDARDS, RIVA STANDARDS, AND OTHER APPLICABLE STANDARDS. LEVELING SYSTEM: AP44061

NO.	DATE	REVISION

THE INFORMATION DISCLOSED IN THIS DRAWING IS CONFIDENTIAL AND MUST NOT BE DISCLOSED OR USED IN ANY MANNER WHICH WILL BE DETRIMENTAL TO THE IHH CORPORATION

SCALE 1:6 DATE 31MAR15 DRAWN BY .

HWH 1-80 EXT 267 SOUTH
RT 1 MOSCOV, IOWA 52760

HYD CONN DIAGRAM

WINGATE DRAWING NUMBER MP70865