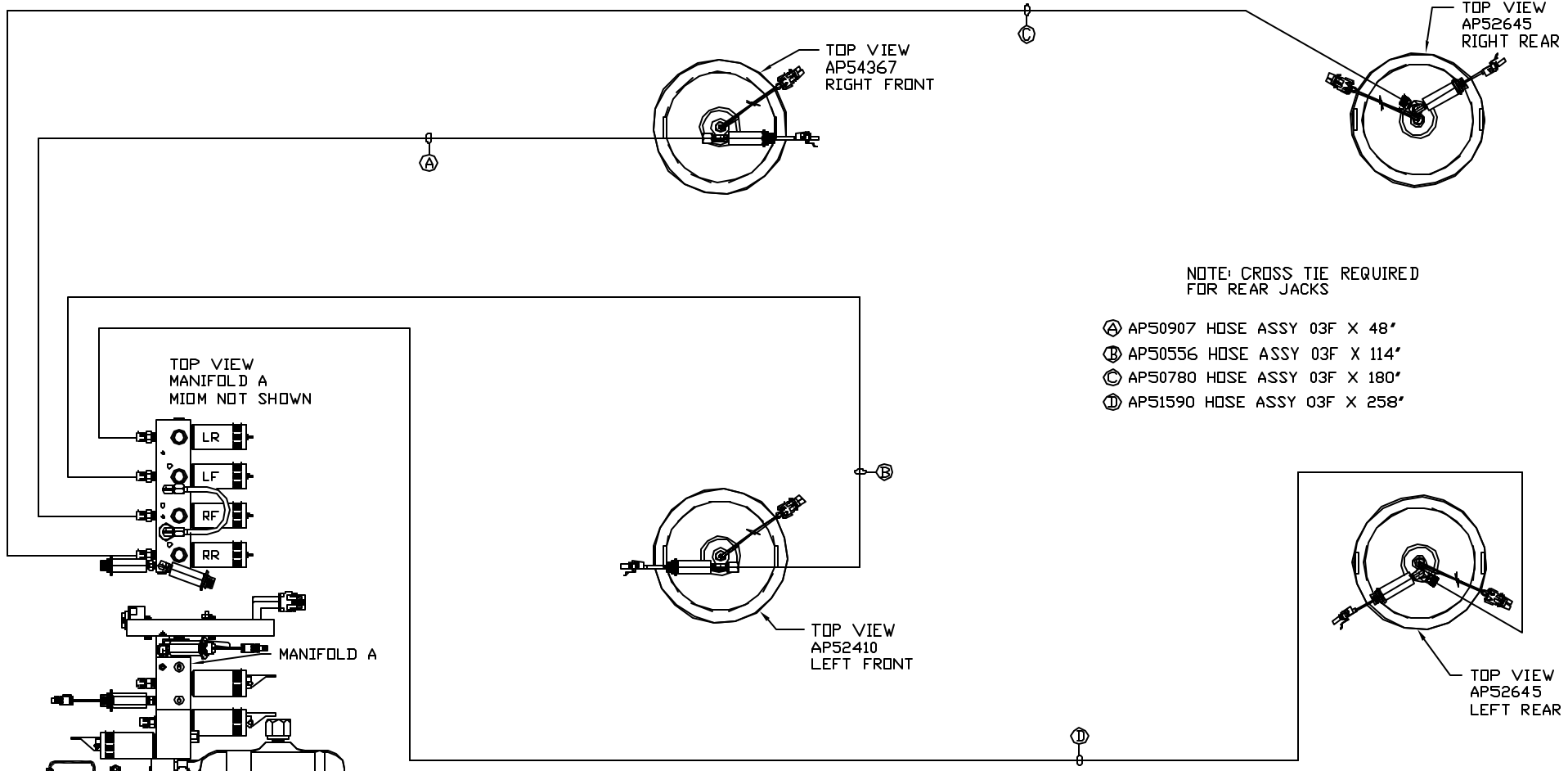


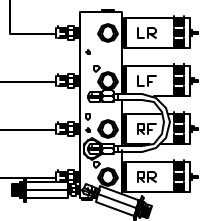
ORIENTATION
FRONT



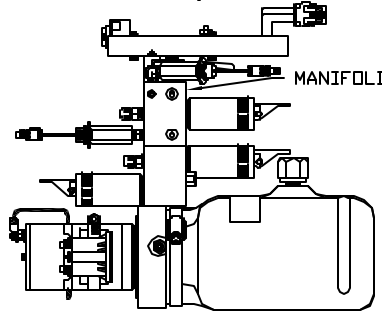
NOTE: CROSS TIE REQUIRED FOR REAR JACKS

- Ⓐ AP50907 HOSE ASSY 03F X 48'
- Ⓑ AP50556 HOSE ASSY 03F X 114'
- Ⓒ AP50780 HOSE ASSY 03F X 180'
- Ⓓ AP51590 HOSE ASSY 03F X 258'

TOP VIEW
MANIFOLD A
MIDM NOT SHOWN



MANIFOLD A



SIDE VIEW PUMP/MANIFOLD-AP51126

LOCATION AND ORIENTATION OF PUMP/MANIFOLD ASSEMBLY WILL DIFFER DEPENDING UPON O.E.M.

NOTE: INSTALLATION MUST CONFORM TO GOOD SHOP PRACTICES, SAE STANDARDS, RVIA STANDARDS, AND OTHER APPLICABLE STANDARDS.

LEVELING SYSTEM: AP55450

NO.	DATE	REVISION

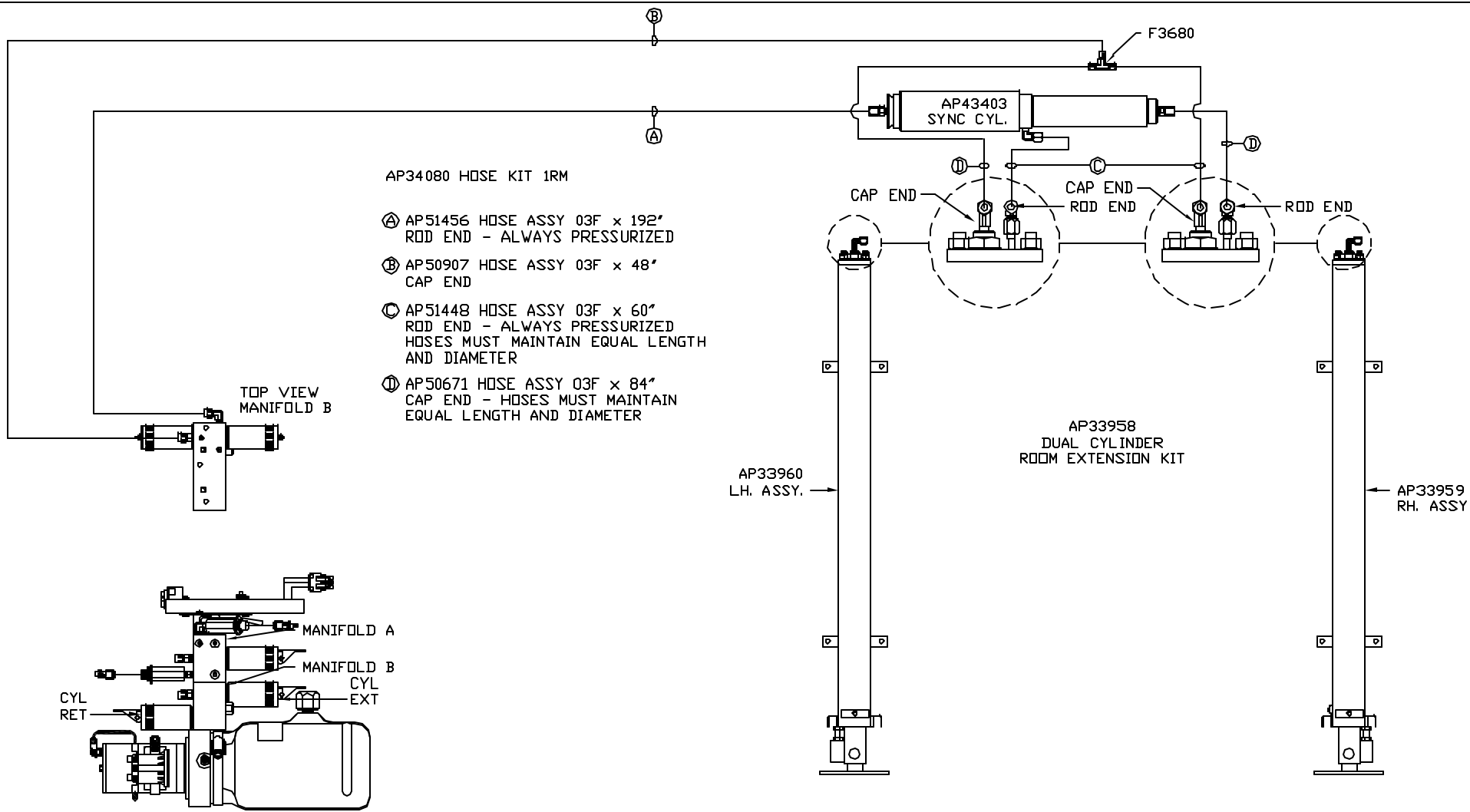
HWH I-80 EXIT 267 SOUTH
RT 1 MOSCOW, IOWA 52760
SCALE 1:6 DATE 10JUN15 DRAWN BY .

HYD CONN DIAGRAM

THE INFORMATION DISCLOSED ON THIS DRAWING IS CONFIDENTIAL AND MUST NOT BE DISCLOSED OR USED IN ANY MANNER WHICH WILL BE DETRIMENTAL TO THE HWH CORPORATION

COACH HOUSE

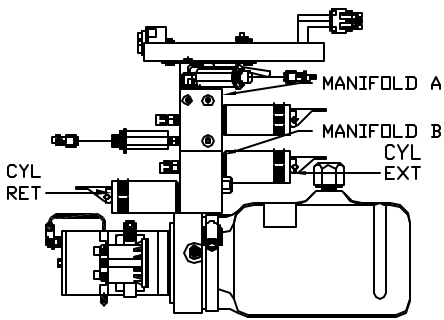
DRAWING NUMBER
MP70890 A/B



AP34080 HOSE KIT 1RM

- Ⓐ AP51456 HOSE ASSY 03F x 192'
ROD END - ALWAYS PRESSURIZED
- Ⓑ AP50907 HOSE ASSY 03F x 48'
CAP END
- Ⓒ AP51448 HOSE ASSY 03F x 60'
ROD END - ALWAYS PRESSURIZED
HOSES MUST MAINTAIN EQUAL LENGTH
AND DIAMETER
- Ⓓ AP50671 HOSE ASSY 03F x 84'
CAP END - HOSES MUST MAINTAIN
EQUAL LENGTH AND DIAMETER

TOP VIEW
MANIFOLD B



SIDE VIEW PUMP/MANIFOLD-AP51126
LOCATION AND ORIENTATION OF
PUMP/MANIFOLD ASSEMBLY WILL
DIFFER DEPENDING UPON O.E.M.

NOTE: INSTALLATION MUST CONFORM TO GOOD SHOP PRACTICES, SAE STANDARDS, RVIA STANDARDS, AND OTHER APPLICABLE STANDARDS.

MP70890 B/B
10JUN15