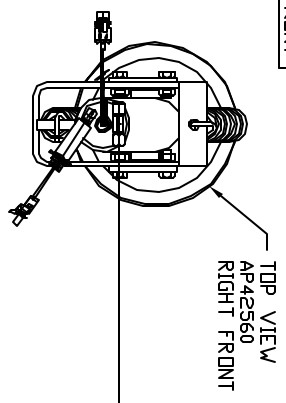
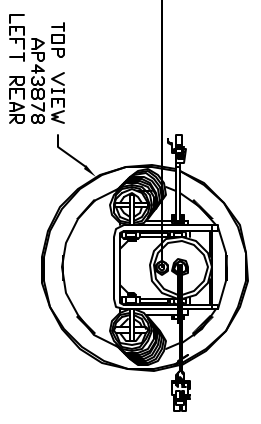
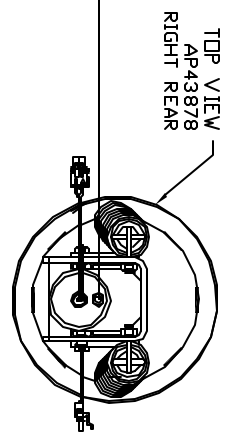
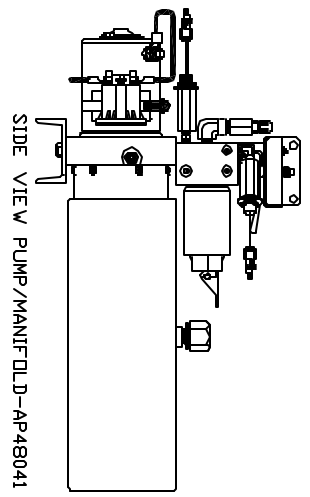
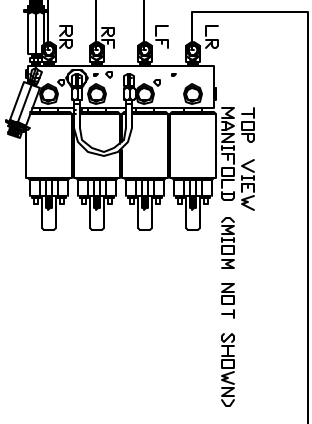
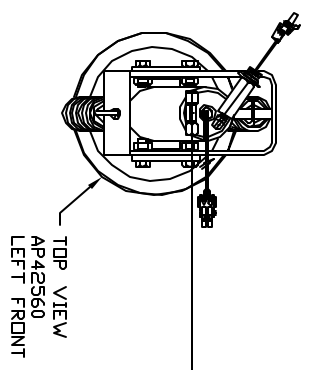


ORIENTATION  
FRONT



NOTE: CROSS-TIES REQUIRED FOR STRAIGHT-ACTING JACKS ON BOTH FRONT AND REAR.  
NOTE: HOSES ARE .25" ID.



NOTE: INSTALLATION MUST CONFORM TO GOOD SHOP PRACTICES, SAE STANDARDS, RYLA STANDARDS, AND OTHER APPLICABLE STANDARDS.

LEVELING SYSTEM AP55476

NO.	DATE	REVISION

THE INFORMATION DISCLOSED IN THIS DRAWING IS CONFIDENTIAL AND MUST NOT BE DISCLOSED OR USED IN ANY MANNER WHICH WILL BE DETRIMENTAL TO THE IHH CORPORATION

SCALE 1:6 DATE 17JUN15 DRAWN BY .

HHH 1-80 EXIT 267 SOUTH  
RT 1 MOSCOV, IOWA 52760

HYD CONN DIAGRAM

STUARTS

DRAWING NUMBER  
MP70894