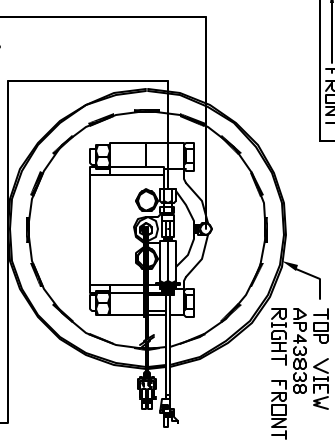
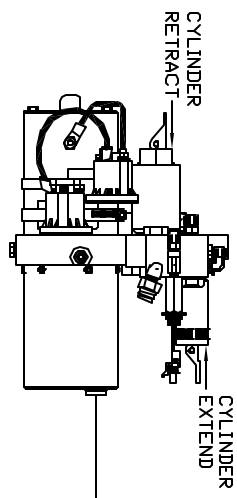
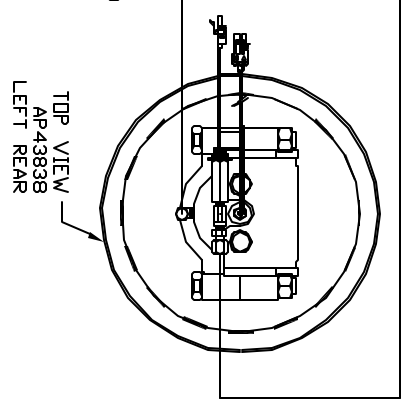
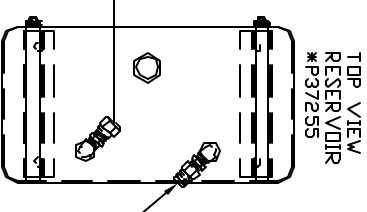
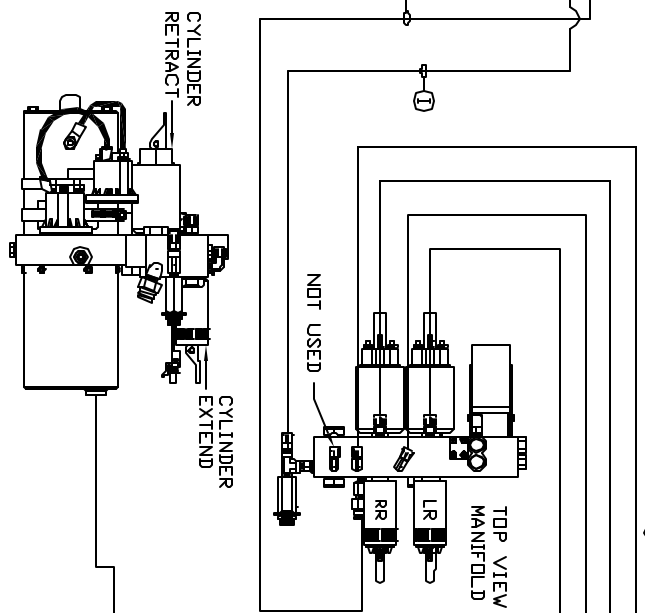
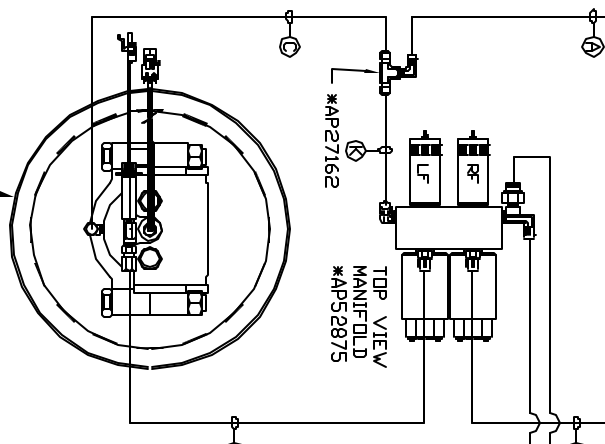
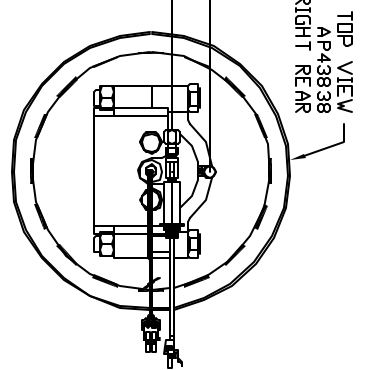


ORIENTATION
FRONT



- Ⓐ AP2445 HOSE ASSY 04 X 90' RDD END RIGHT FRONT JACK
- Ⓑ AP42057 HOSE ASSY 05 X 72' CAP END RIGHT FRONT JACK
- Ⓒ AP4061 HOSE ASSY 04 X 216' RDD END LEFT FRONT JACK
- Ⓓ AP22313 HOSE ASSY 05 X 192' CAP END LEFT FRONT JACK
- Ⓔ AP1140 HOSE ASSY 04 X 615' RDD END LEFT REAR JACK

- Ⓕ AP54020 HOSE ASSY 05 X 600' CAP END LEFT REAR JACK
- Ⓖ AP1718 HOSE ASSY 04 X 504' RDD END RIGHT REAR JACK
- Ⓖ AP7816 HOSE ASSY 05 X 480' CAP END RIGHT REAR JACK
- Ⓛ *AP4060 HOSE ASSY .25" X 24' PRESSURE
- Ⓜ *M401501 NYLON TUBING 5' DD RETURN
- Ⓨ *AP5212 HOSE ASSY 25' X 15'



SIDE VIEW OF PUMP/MANIFOLD-*AP52881
LOCATION AND ORIENTATION OF PUMP/MANIFOLD ASSEMBLY WILL DIFFER DEPENDING UPON DEM.
* NOTE: PART OF AP55057 POWER CONTROL

NOTE: INSTALLATION MUST CONFORM TO GOOD SHOP PRACTICES, SAE STANDARDS, RYLA STANDARDS, AND OTHER APPLICABLE STANDARDS.

LEVELING SYSTEM: AP55474

NO.	DATE	REVISION

THE INFORMATION DISCLOSED IN THIS DRAWING IS CONFIDENTIAL AND MUST NOT BE DISCLOSED OR USED IN ANY MANNER WHICH WILL BE DETRIMENTAL TO THE IRI CORPORATION

HW H 1-80 EXT 267 SOUTH
RT 1 MOSCOW, IOWA 52760

SCALE 1:6 DATE 03AUG15 DRAWN BY .

HYD CONN DIAGRAM

MUDDY CREEK

DRAWING NUMBER MP70895