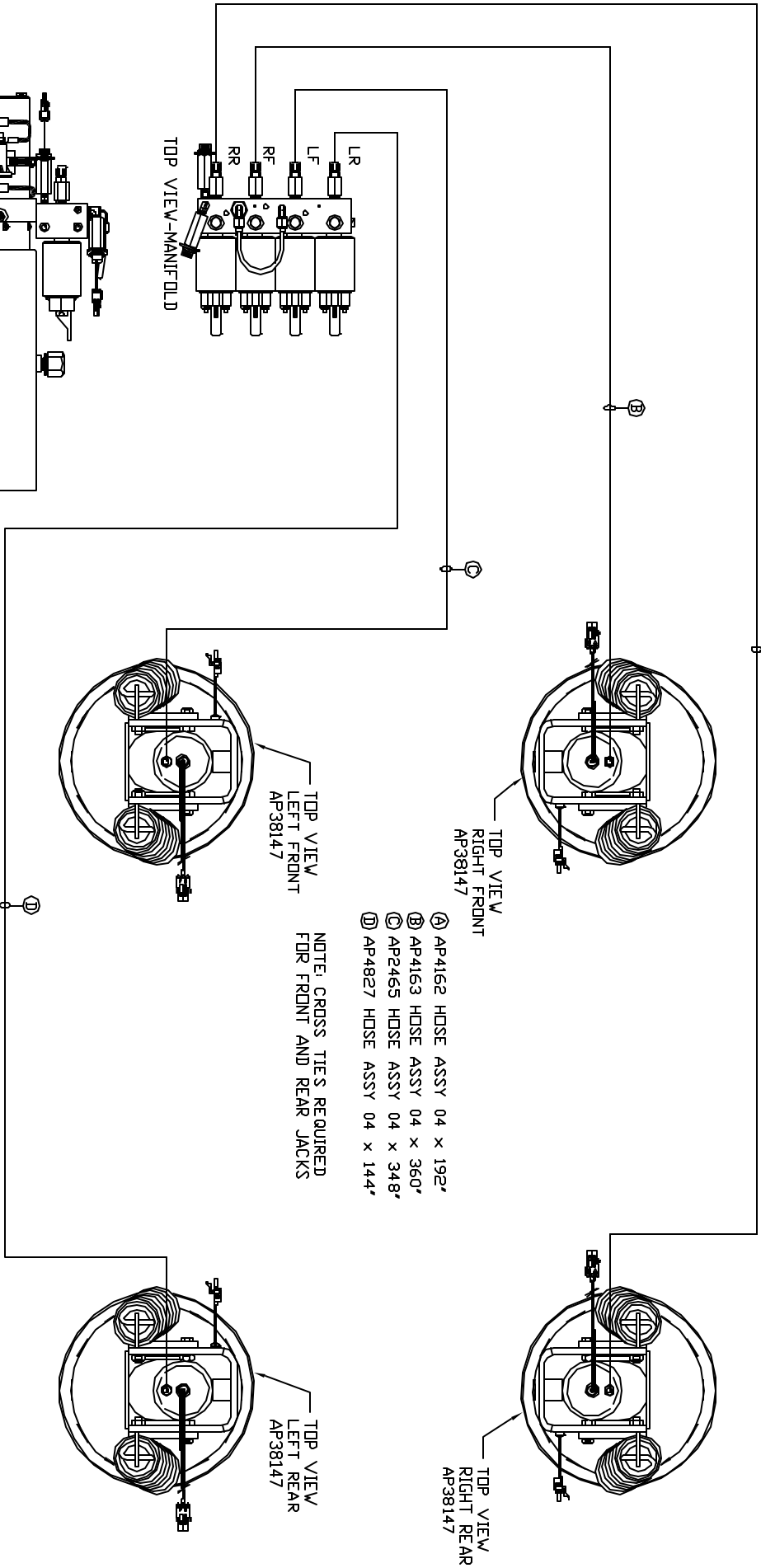


ORIENTATION  
FRONT



SIDE VIEW PUMP/MANIFOLD-AP36394

LOCATION AND ORIENTATION OF PUMP/MANIFOLD ASSEMBLY WILL DIFFER DEPENDING UPON O.E.M.

NOTE: INSTALLATION MUST CONFORM TO GOOD SHOP PRACTICES, SAE STANDARDS, RIVA STANDARDS, AND OTHER APPLICABLE STANDARDS.

LEVELING SYSTEM AP55553

- Ⓐ AP4162 HOSE ASSY 04 x 192"
- Ⓑ AP4163 HOSE ASSY 04 x 360"
- Ⓒ AP2465 HOSE ASSY 04 x 348"
- Ⓓ AP4827 HOSE ASSY 04 x 144"

NOTE: CROSS TIES REQUIRED FOR FRONT AND REAR JACKS

NO.	DATE	REVISION

HWH 1-80 EXIT 267 SOUTH  
 RT 1 MOSCOW, IDVA 52760  
 SCALE 1:6 DATE 14JUL15 DRAWN BY .  
 HYD CONN DIAGRAM  
 ALT INTER CORP DRAWING NUMBER MP70897

THE INFORMATION DISCLOSED IN THIS DRAWING IS CONFIDENTIAL AND MUST NOT BE DISCLOSED OR USED IN ANY MANNER WHICH WILL BE DETRIMENTAL TO THE IWH CORPORATION