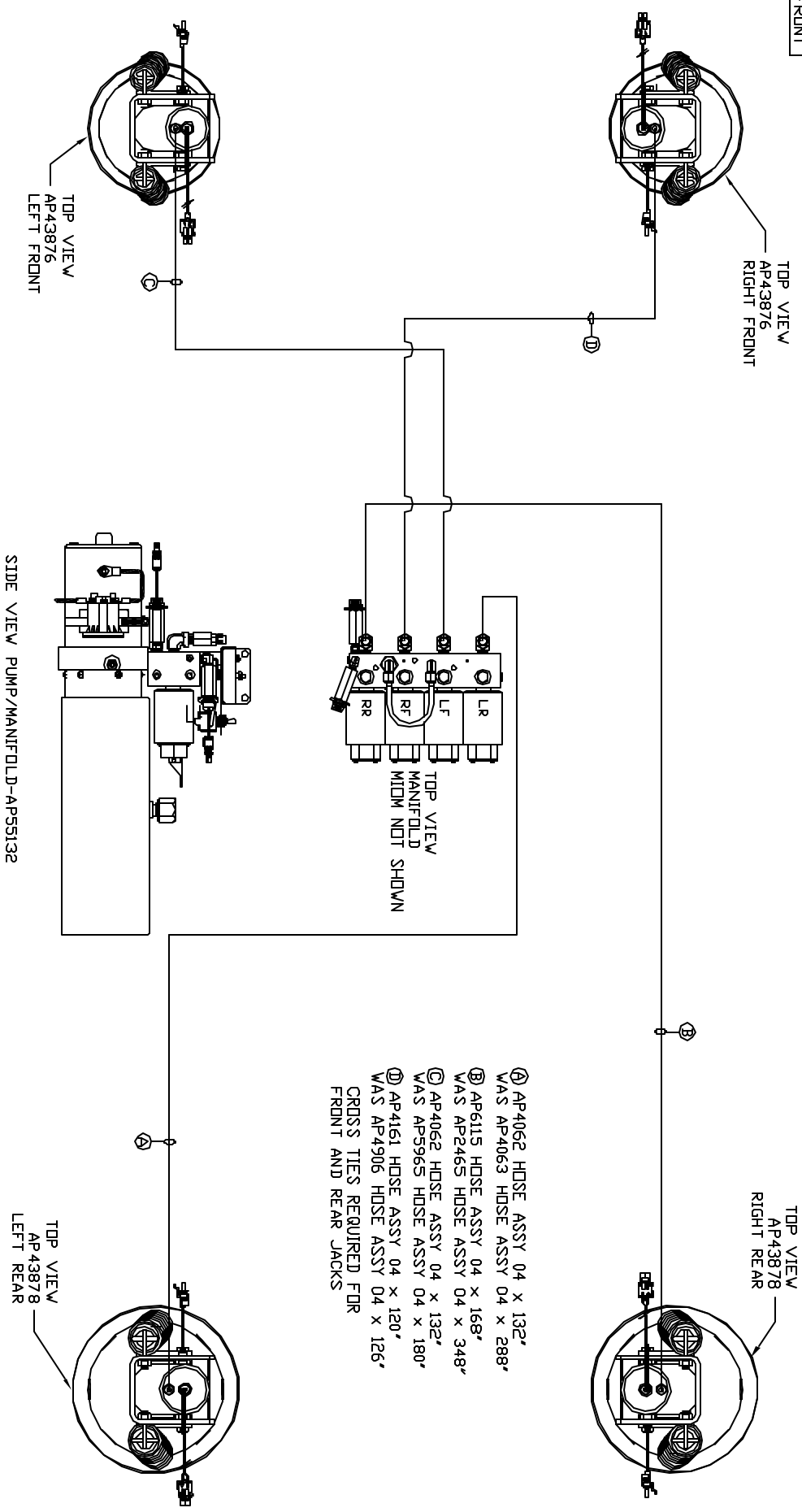


ORIENTATION
FRONT



- Ⓐ AP4062 HOSE ASSY 04 X 132' WAS AP4063 HOSE ASSY 04 X 288'
 - Ⓑ AP6115 HOSE ASSY 04 X 168' WAS AP2465 HOSE ASSY 04 X 348'
 - Ⓒ AP4062 HOSE ASSY 04 X 132' WAS AP5965 HOSE ASSY 04 X 180'
 - Ⓓ AP4161 HOSE ASSY 04 X 120' WAS AP4906 HOSE ASSY 04 X 126'
- CROSS TIES REQUIRED FOR FRONT AND REAR JACKS

NOTE: INSTALLATION MUST CONFORM TO GOOD SHOP PRACTICES, SAE STANDARDS, RVIA STANDARDS, AND OTHER APPLICABLE STANDARDS.

LEVELING SYSTEM AP55655

NO.	DATE	REVISION
1	22FEB16	UPDATED HOSES

THE INFORMATION DISCLOSED IN THIS DRAWING IS CONFIDENTIAL AND MUST NOT BE DISCLOSED OR USED IN ANY MANNER WHICH WILL BE DETRIMENTAL TO THE RVH CORPORATION

SCALE 1:6 DATE 10AUG15 DRAWN BY .

HWH 1-80 EXIT 267 SOUTH
RT 1 MOSCOW, IOWA 52760

HYD CONN DIAGRAM

CUSTOM TRUCK

DRAWING NUMBER MP70901