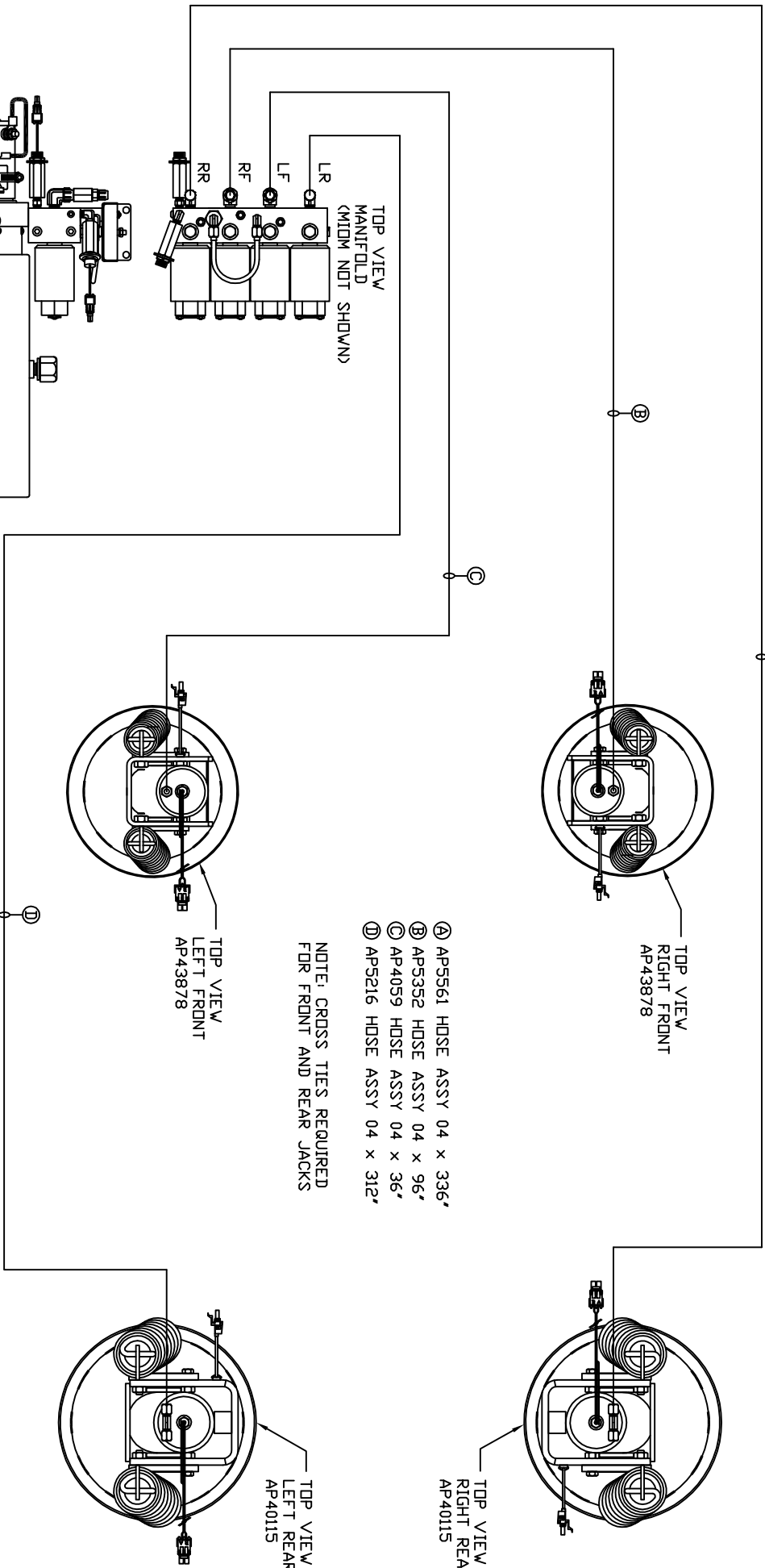


ORIENTATION
FRONT



LOCATION AND ORIENTATION OF
PUMP/MANIFOLD ASSEMBLY WILL
DIFFER DEPENDING UPON DEM.

NOTE: INSTALLATION MUST CONFORM TO GOOD SHOP PRACTICES, SAE STANDARDS, RVIA STANDARDS, AND OTHER APPLICABLE STANDARDS.

LEVELING SYSTEM: AP56603

NO.	DATE	REVISION

THE INFORMATION DISCLOSED ON THIS DRAWING IS CONFIDENTIAL AND MUST NOT BE DISCLOSED OR USED IN ANY MANNER WHICH WILL BE DETRIMENTAL TO THE HHV CORPORATION

HW/H 1-80 EXIT 267 SOUTH
 RT 1 MOSCOW, IDWA 52760
 SCALE 1:6 DATE 29APR16 DRAWN BY .
HYD CONN DIAGRAM
 FARBBER DRAWING NUMBER
 MP70992