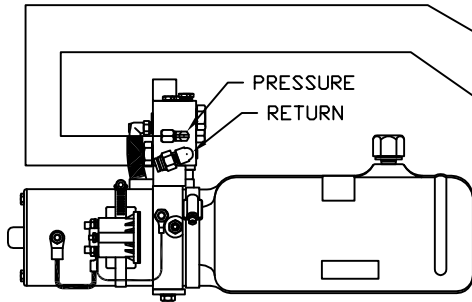
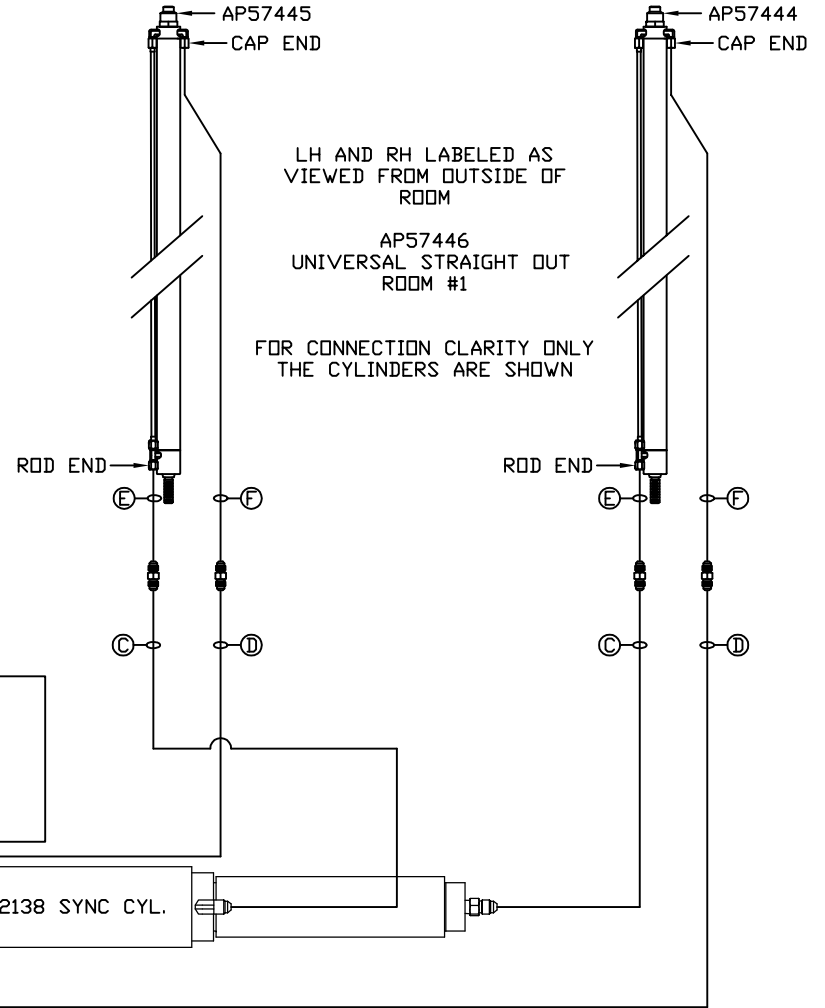


AP57447 HOSE KIT 2 RM USD

NOTE: HOSES Ⓒ AND Ⓓ ARE INCLUDED WITH THE ROOM EXTENSION MECHANISM.

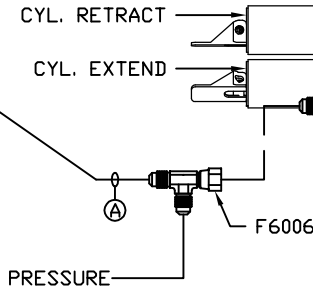
- Ⓐ AP6116 HOSE ASSY 04 x 240' PRESSURE
- Ⓑ P53886 RETURN LINE 3/8 x 240' RETURN
- Ⓒ AP49517 HOSE ASSY 03 x 180' ROD END - ALWAYS PRESSURIZED - MUST MAINTAIN EQUAL LENGTH AND DIAMETER
- Ⓓ AP6116 HOSE ASSY 04 x 240' CAP END - MUST MAINTAIN EQUAL LENGTH AND DIAMETER

- Ⓔ AP24638 HOSE ASSY HWH02HP x 90' CAP END - MUST MAINTAIN EQUAL LENGTH AND DIAMETER
- Ⓕ AP24643 HOSE ASSY HWH02HP x 126' ROD END - ALWAYS PRESSURIZED - MUST MAINTAIN EQUAL LENGTH AND DIAMETER



LOCATION AND ORIENTATION OF PUMP/MANIFOLD ASSEMBLY WILL DIFFER DEPENDING UPON O.E.M.

NOTE: RETURN LINE MUST POINT UPWARDS.



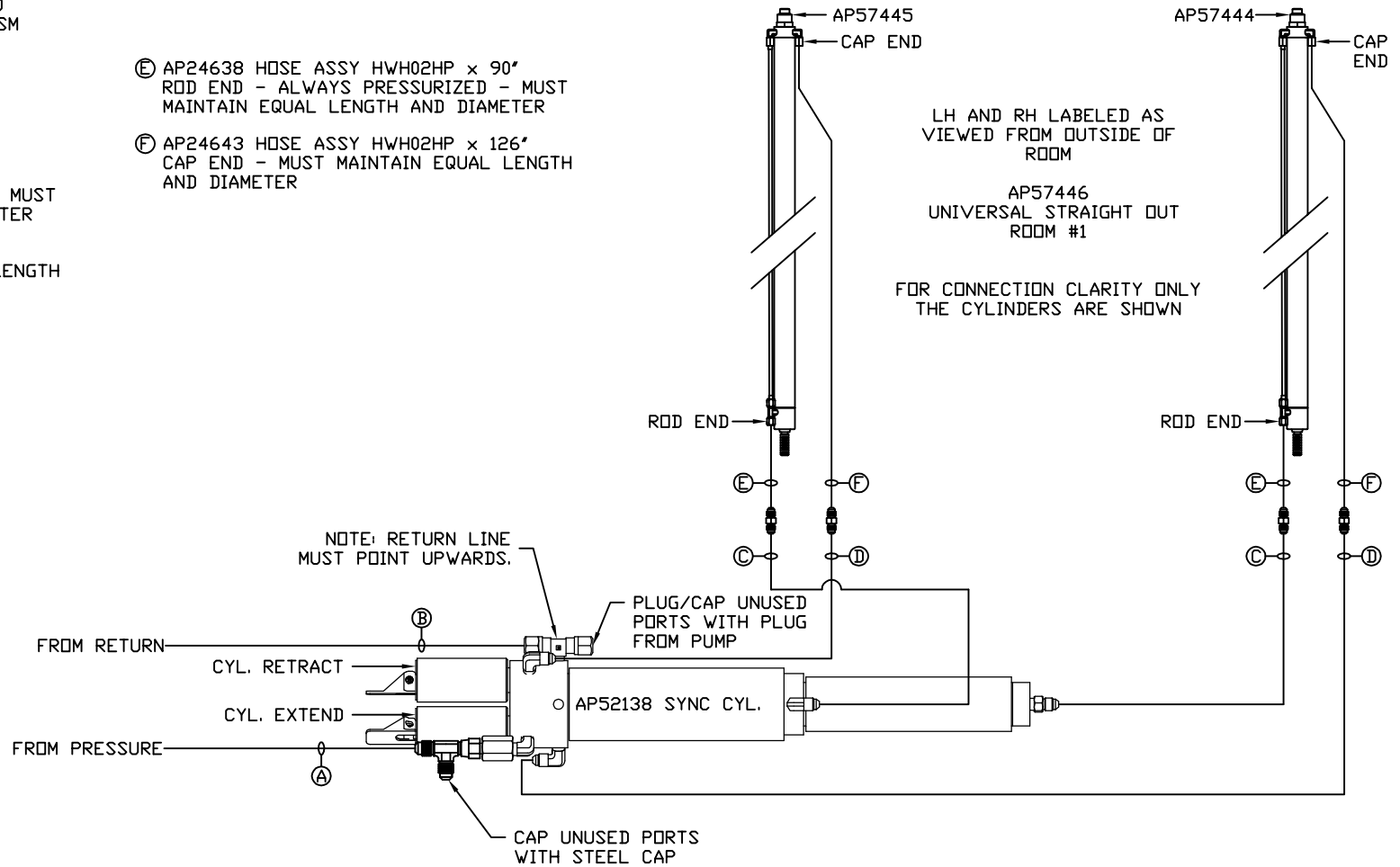
		HWH		I-80 EXIT 267 SOUTH RT 1 MOSCOW, IOWA 52760	
		SCALE 1:6	DATE 10APR17	DRAWN BY .	
		HYD CONN DIAGRAM			
NO.	DATE	REVISION			
		FARBER		DRAWING NUMBER MP71091 A/B	
THE INFORMATION DISCLOSED ON THIS DRAWING IS CONFIDENTIAL AND MUST NOT BE DISCLOSED OR USED IN ANY MANNER WHICH WILL BE DETRIMENTAL TO THE HWH CORPORATION					

NOTE: INSTALLATION MUST CONFORM TO GOOD SHOP PRACTICES, SAE STANDARDS, RVIA STANDARDS, AND OTHER APPLICABLE STANDARDS.

NOTE: HOSES ⑤ AND ⑥ ARE INCLUDED WITH THE ROOM EXTENSION MECHANISM

- ① AP5562 HOSE ASSY 04 X 276" PRESSURE
- ② P54208 TUBING NYLON 3/8 X 276" RETURN
- ③ AP53439 HOSE ASSY 03 X 312" ROD END - ALWAYS PRESSURIZED - MUST MAINTAIN EQUAL LENGTH AND DIAMETER
- ④ AP4391 HOSE ASSY 04 X 372" CAP END - MUST MAINTAIN EQUAL LENGTH AND DIAMETER

- ⑤ AP24638 HOSE ASSY HWH02HP x 90" ROD END - ALWAYS PRESSURIZED - MUST MAINTAIN EQUAL LENGTH AND DIAMETER
- ⑥ AP24643 HOSE ASSY HWH02HP x 126" CAP END - MUST MAINTAIN EQUAL LENGTH AND DIAMETER



NOTE: INSTALLATION MUST CONFORM TO GOOD SHOP PRACTICES, SAE STANDARDS, RVIA STANDARDS, AND OTHER APPLICABLE STANDARDS.

MP71091 B/B
10APR17