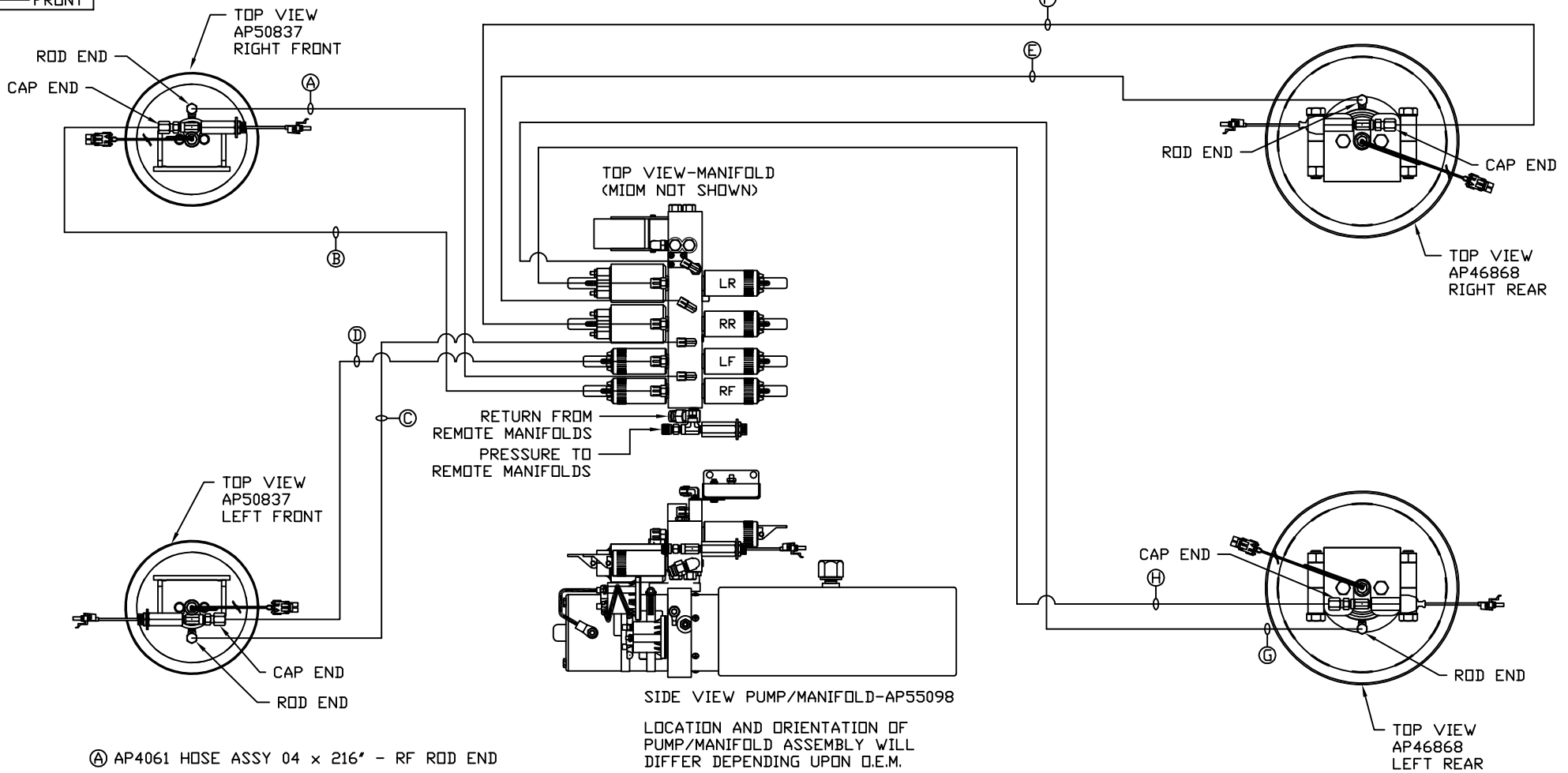


ORIENTATION  
← FRONT



- Ⓐ AP4061 HOSE ASSY 04 x 216' - RF ROD END
- Ⓑ AP54011 HOSE ASSY 05 x 216' - RF CAP END
- Ⓒ AP5965 HOSE ASSY 04 x 180' - LF ROD END
- Ⓓ AP19013 HOSE ASSY 05 x 180' - LF CAP END
- Ⓔ AP2465 HOSE ASSY 04 x 348' - RR ROD END
- Ⓕ AP17477 HOSE ASSY 05 x 348' - RR CAP END
- Ⓖ AP5216 HOSE ASSY 04 x 312' - LR ROD END
- Ⓗ AP54014 HOSE ASSY 05 x 312' - LR CAP END

SIDE VIEW PUMP/MANIFOLD-AP55098  
LOCATION AND ORIENTATION OF PUMP/MANIFOLD ASSEMBLY WILL DIFFER DEPENDING UPON O.E.M.

NOTE: INSTALLATION MUST CONFORM TO GOOD SHOP PRACTICES, SAE STANDARDS, RVIA STANDARDS, AND OTHER APPLICABLE STANDARDS.

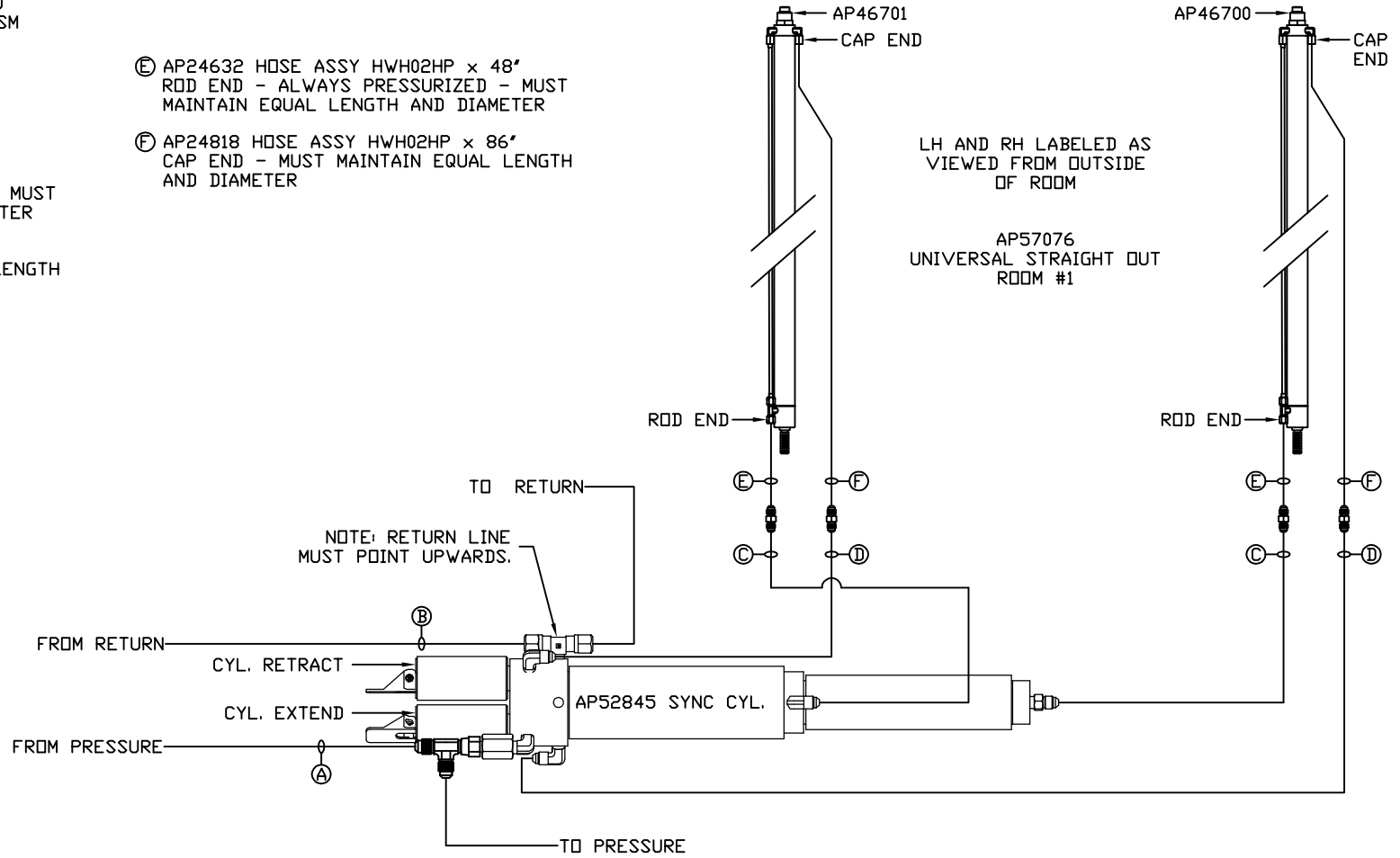
LEVELING SYSTEM: AP57238

		HWH I-80 EXIT 267 SOUTH RT 1 MOSCOW, IOWA 52760	
		SCALE 1:6	DATE 19APR17
		DRAWN BY .	
HYD CONN DIAGRAM			
NO.	DATE	REVISION	
THE INFORMATION DISCLOSED ON THIS DRAWING IS CONFIDENTIAL AND MUST NOT BE DISCLOSED OR USED IN ANY MANNER WHICH WILL BE DETRIMENTAL TO THE HWH CORPORATION			
MAURER		DRAWING NUMBER MP71092 A/D	

NOTE: HOSES (E) AND (F) ARE INCLUDED WITH THE ROOM EXTENSION MECHANISM

- (A) HOSE ASSY 04  
PRESSURE
- (B) TUBING NYLON 3/8" OD  
RETURN
- (C) HOSE ASSY 03  
ROD END - ALWAYS PRESSURIZED - MUST  
MAINTAIN EQUAL LENGTH AND DIAMETER
- (D) HOSE ASSY 04  
CAP END - MUST MAINTAIN EQUAL LENGTH  
AND DIAMETER

- (E) AP24632 HOSE ASSY HWH02HP x 48"  
ROD END - ALWAYS PRESSURIZED - MUST  
MAINTAIN EQUAL LENGTH AND DIAMETER
- (F) AP24818 HOSE ASSY HWH02HP x 86"  
CAP END - MUST MAINTAIN EQUAL LENGTH  
AND DIAMETER



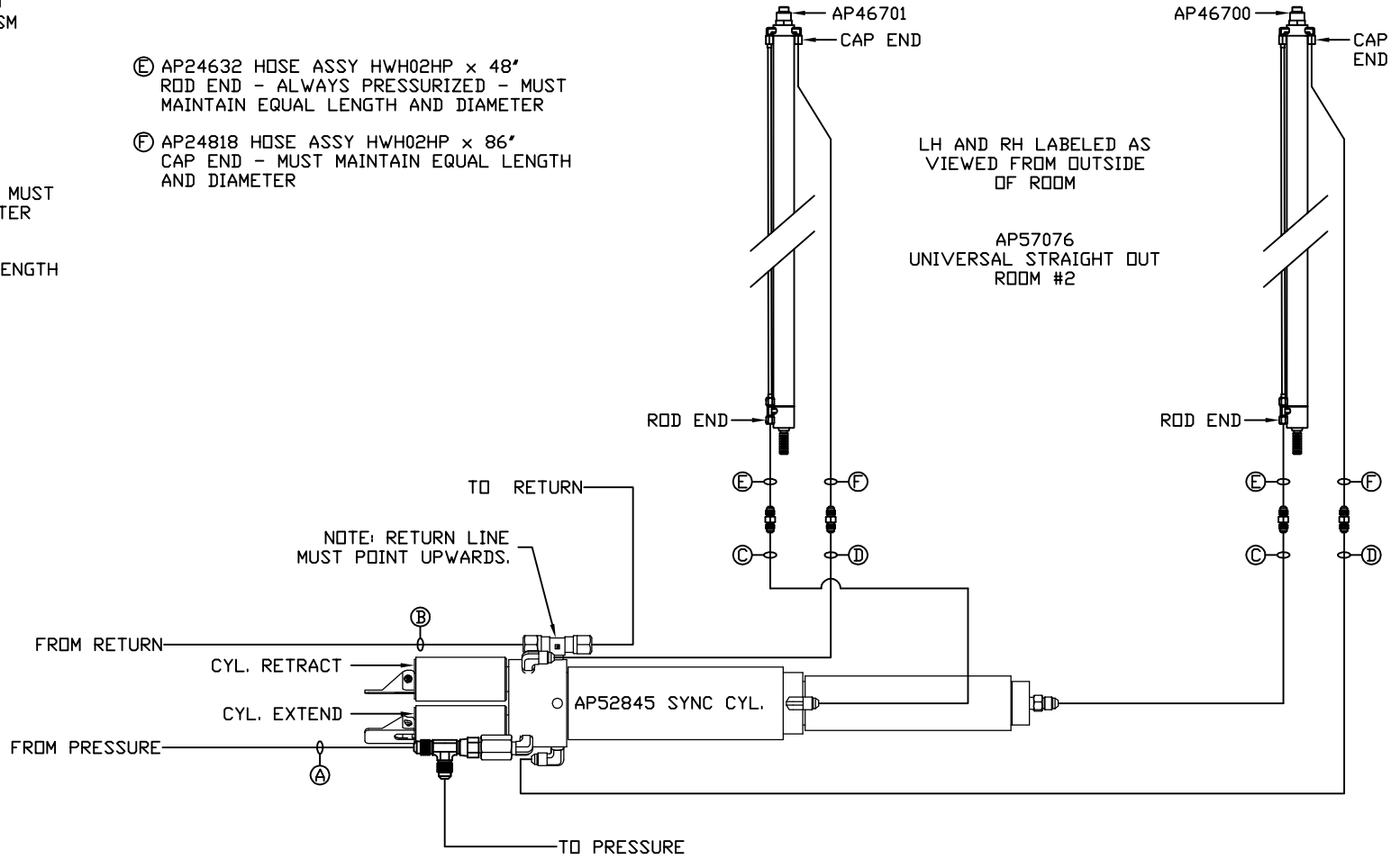
NOTE: INSTALLATION MUST CONFORM TO GOOD SHOP PRACTICES, SAE STANDARDS, RVIA STANDARDS, AND OTHER APPLICABLE STANDARDS.

MP71092 B/D  
19APR17

NOTE: HOSES (E) AND (F) ARE INCLUDED WITH THE ROOM EXTENSION MECHANISM

- (A) HOSE ASSY 04  
PRESSURE
- (B) TUBING NYLON 3/8" OD  
RETURN
- (C) HOSE ASSY 03  
ROD END - ALWAYS PRESSURIZED - MUST  
MAINTAIN EQUAL LENGTH AND DIAMETER
- (D) HOSE ASSY 04  
CAP END - MUST MAINTAIN EQUAL LENGTH  
AND DIAMETER

- (E) AP24632 HOSE ASSY HWH02HP x 48"  
ROD END - ALWAYS PRESSURIZED - MUST  
MAINTAIN EQUAL LENGTH AND DIAMETER
- (F) AP24818 HOSE ASSY HWH02HP x 86"  
CAP END - MUST MAINTAIN EQUAL LENGTH  
AND DIAMETER



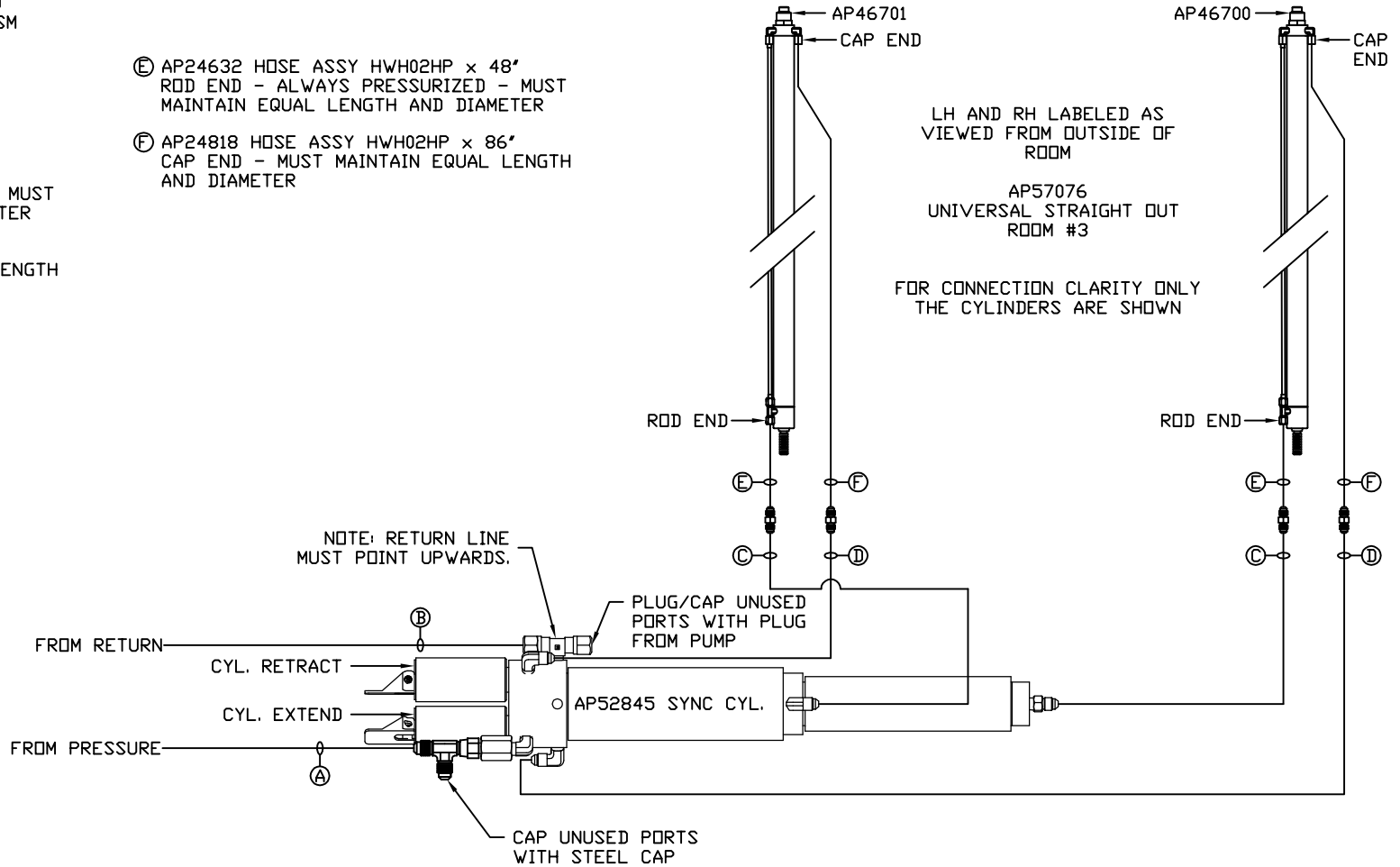
NOTE: INSTALLATION MUST CONFORM TO GOOD SHOP PRACTICES, SAE STANDARDS, RVIA STANDARDS, AND OTHER APPLICABLE STANDARDS.

MP71092 C/D  
19APR17

NOTE: HOSES ⑤ AND ⑥ ARE INCLUDED WITH THE ROOM EXTENSION MECHANISM

- ① HOSE ASSY 04  
PRESSURE
- ② TUBING NYLON 3/8" OD  
RETURN
- ③ HOSE ASSY 03  
ROD END - ALWAYS PRESSURIZED - MUST  
MAINTAIN EQUAL LENGTH AND DIAMETER
- ④ HOSE ASSY 04  
CAP END - MUST MAINTAIN EQUAL LENGTH  
AND DIAMETER

- ⑤ AP24632 HOSE ASSY HWH02HP x 48"  
ROD END - ALWAYS PRESSURIZED - MUST  
MAINTAIN EQUAL LENGTH AND DIAMETER
- ⑥ AP24818 HOSE ASSY HWH02HP x 86"  
CAP END - MUST MAINTAIN EQUAL LENGTH  
AND DIAMETER



NOTE: INSTALLATION MUST CONFORM TO GOOD SHOP PRACTICES, SAE STANDARDS, RVIA STANDARDS, AND OTHER APPLICABLE STANDARDS.

MP71092 D/D  
19APR17