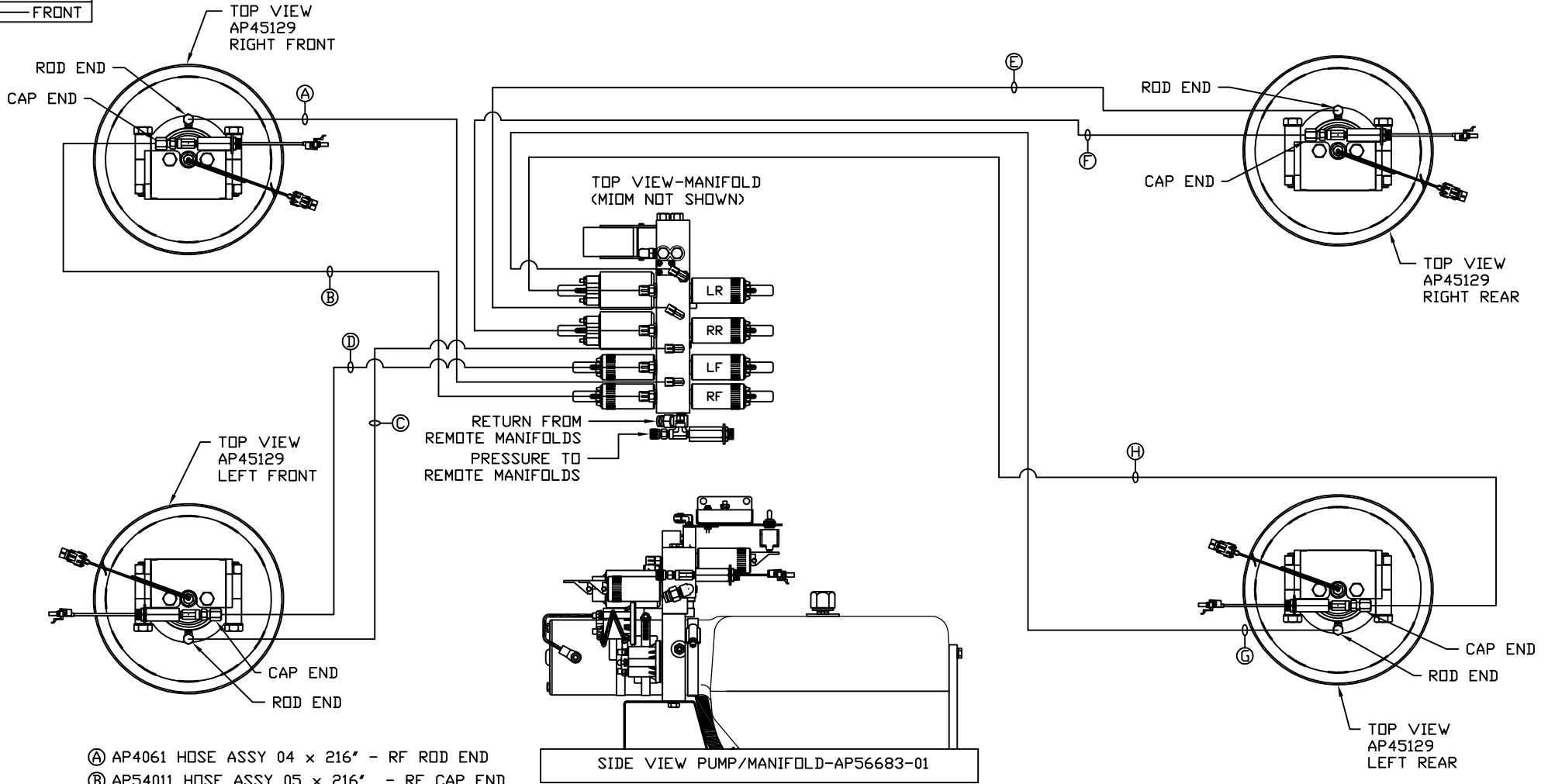


ORIENTATION
← FRONT



- Ⓐ AP4061 HOSE ASSY 04 x 216' - RF ROD END
- Ⓑ AP54011 HOSE ASSY 05 x 216' - RF CAP END
- Ⓒ AP6216 HOSE ASSY 04 x 264' - LF ROD END
- Ⓓ AP24985 HOSE ASSY 05 x 264' - LF CAP END
- Ⓔ AP6116 HOSE ASSY 04 x 240' - RR ROD END
- Ⓕ AP42092 HOSE ASSY 05 x 240' - RR CAP END
- Ⓖ AP4063 HOSE ASSY 04 x 288' - LR ROD END
- Ⓗ AP54013 HOSE ASSY 05 x 288' - LR CAP END

NOTE: INSTALLATION MUST CONFORM TO GOOD SHOP PRACTICES, SAE STANDARDS, RVIA STANDARDS, AND OTHER APPLICABLE STANDARDS.

LEVELING SYSTEM: AP57612

NO.	DATE	REVISION

HWH I-80 EXIT 267 SOUTH
RT 1 MOSCOW, IOWA 52760

SCALE 1:6 DATE 05OCT16 DRAWN BY .

HYD CONN DIAGRAM

TRISTAR DRAWING NUMBER MP71119 A/D

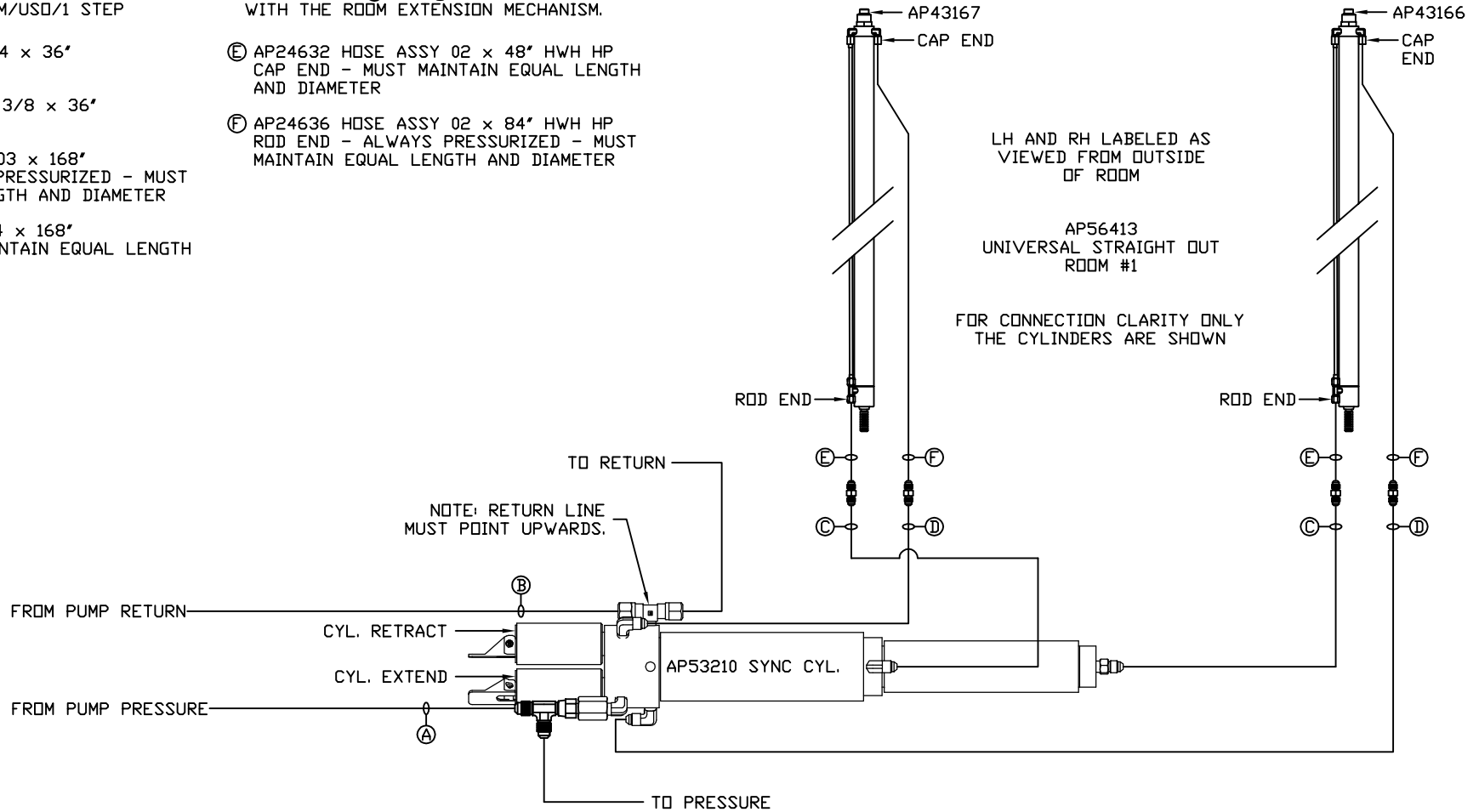
THE INFORMATION DISCLOSED ON THIS DRAWING IS CONFIDENTIAL AND MUST NOT BE DISCLOSED OR USED IN ANY MANNER WHICH WILL BE DETRIMENTAL TO THE HWH CORPORATION

AP57055 HOSE KIT 2 RM/USD/1 STEP

- Ⓐ AP4059 HOSE ASSY 04 × 36' PRESSURE
- Ⓑ P31138 RETURN LINE 3/8 × 36' RETURN
- Ⓒ AP50261 HOSE ASSY 03 × 168' ROD END - ALWAYS PRESSURIZED - MUST MAINTAIN EQUAL LENGTH AND DIAMETER
- Ⓓ AP6115 HOSE ASSY 04 × 168' CAP END - MUST MAINTAIN EQUAL LENGTH AND DIAMETER

NOTE: HOSES Ⓒ AND Ⓓ ARE INCLUDED WITH THE ROOM EXTENSION MECHANISM.

- Ⓔ AP24632 HOSE ASSY 02 × 48' HWH HP CAP END - MUST MAINTAIN EQUAL LENGTH AND DIAMETER
- Ⓕ AP24636 HOSE ASSY 02 × 84' HWH HP ROD END - ALWAYS PRESSURIZED - MUST MAINTAIN EQUAL LENGTH AND DIAMETER



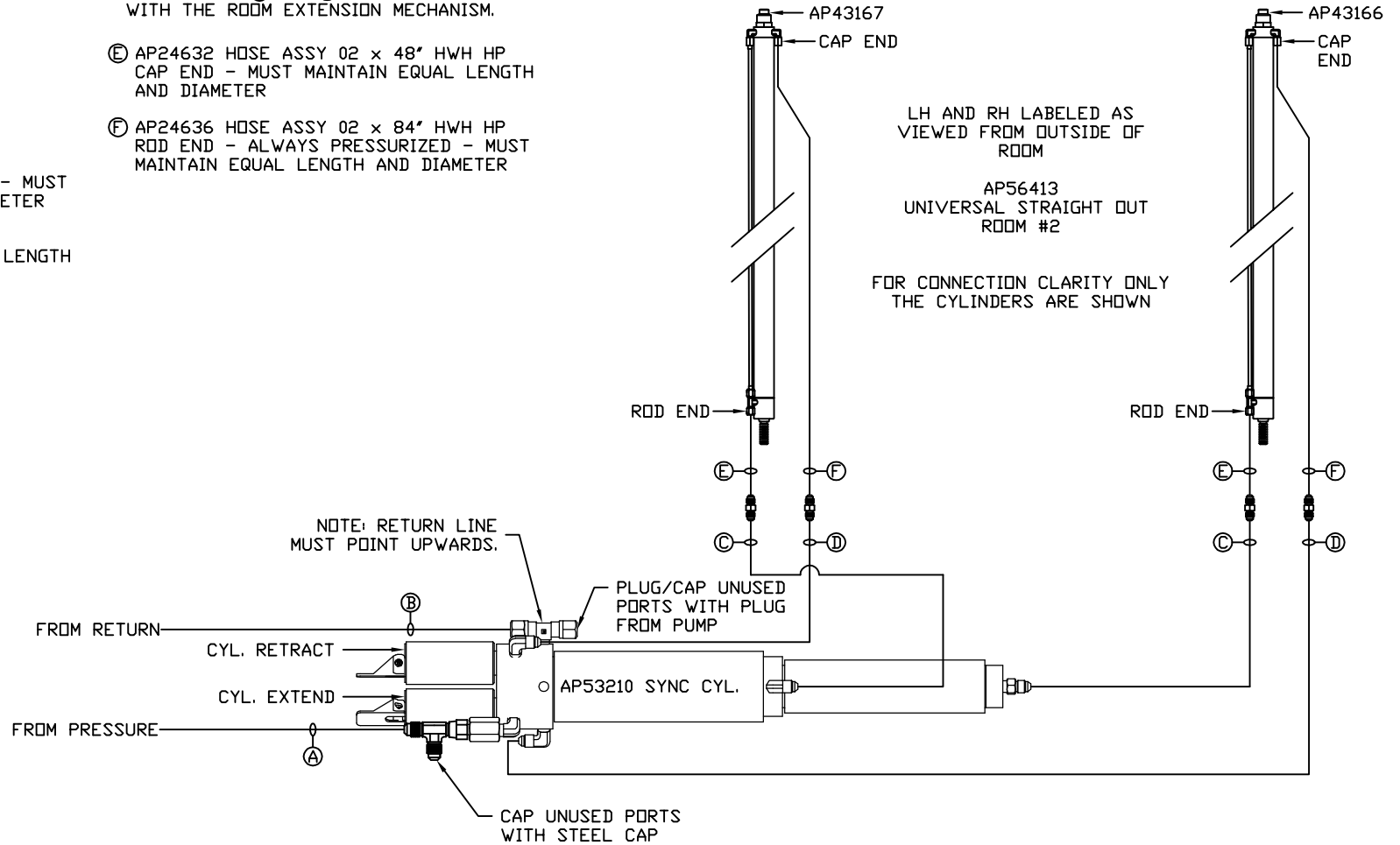
NOTE: INSTALLATION MUST CONFORM TO GOOD SHOP PRACTICES, SAE STANDARDS, RVIA STANDARDS, AND OTHER APPLICABLE STANDARDS.

MP71119 B/D
05OCT16

NOTE: HOSES ③ AND ④ ARE INCLUDED WITH THE ROOM EXTENSION MECHANISM.

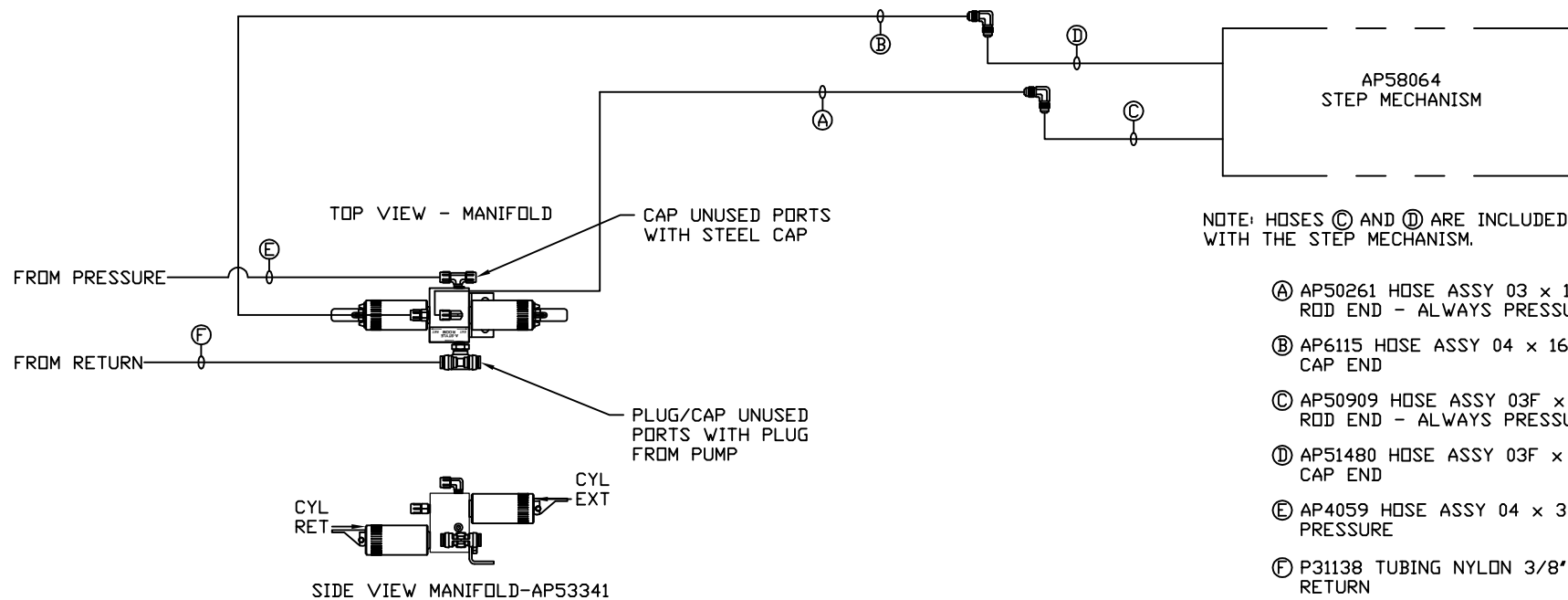
- ① AP4059 HOSE ASSY 04 x 36' PRESSURE
- ② P31138 RETURN LINE 3/8 x 36' RETURN
- ③ AP51635 HOSE ASSY 03 x 216' ROD END - ALWAYS PRESSURIZED - MUST MAINTAIN EQUAL LENGTH AND DIAMETER
- ④ AP4061 HOSE ASSY 04 x 216' CAP END - MUST MAINTAIN EQUAL LENGTH AND DIAMETER

- ⑤ AP24632 HOSE ASSY 02 x 48' HWH HP CAP END - MUST MAINTAIN EQUAL LENGTH AND DIAMETER
- ⑥ AP24636 HOSE ASSY 02 x 84' HWH HP ROD END - ALWAYS PRESSURIZED - MUST MAINTAIN EQUAL LENGTH AND DIAMETER



NOTE: INSTALLATION MUST CONFORM TO GOOD SHOP PRACTICES, SAE STANDARDS, RVIA STANDARDS, AND OTHER APPLICABLE STANDARDS.

MP71119 C/D
05OCT16



NOTE: INSTALLATION MUST CONFORM TO GOOD SHOP PRACTICES, SAE STANDARDS, RVIA STANDARDS, AND OTHER APPLICABLE STANDARDS.

MP71119 D/D
05OCT16