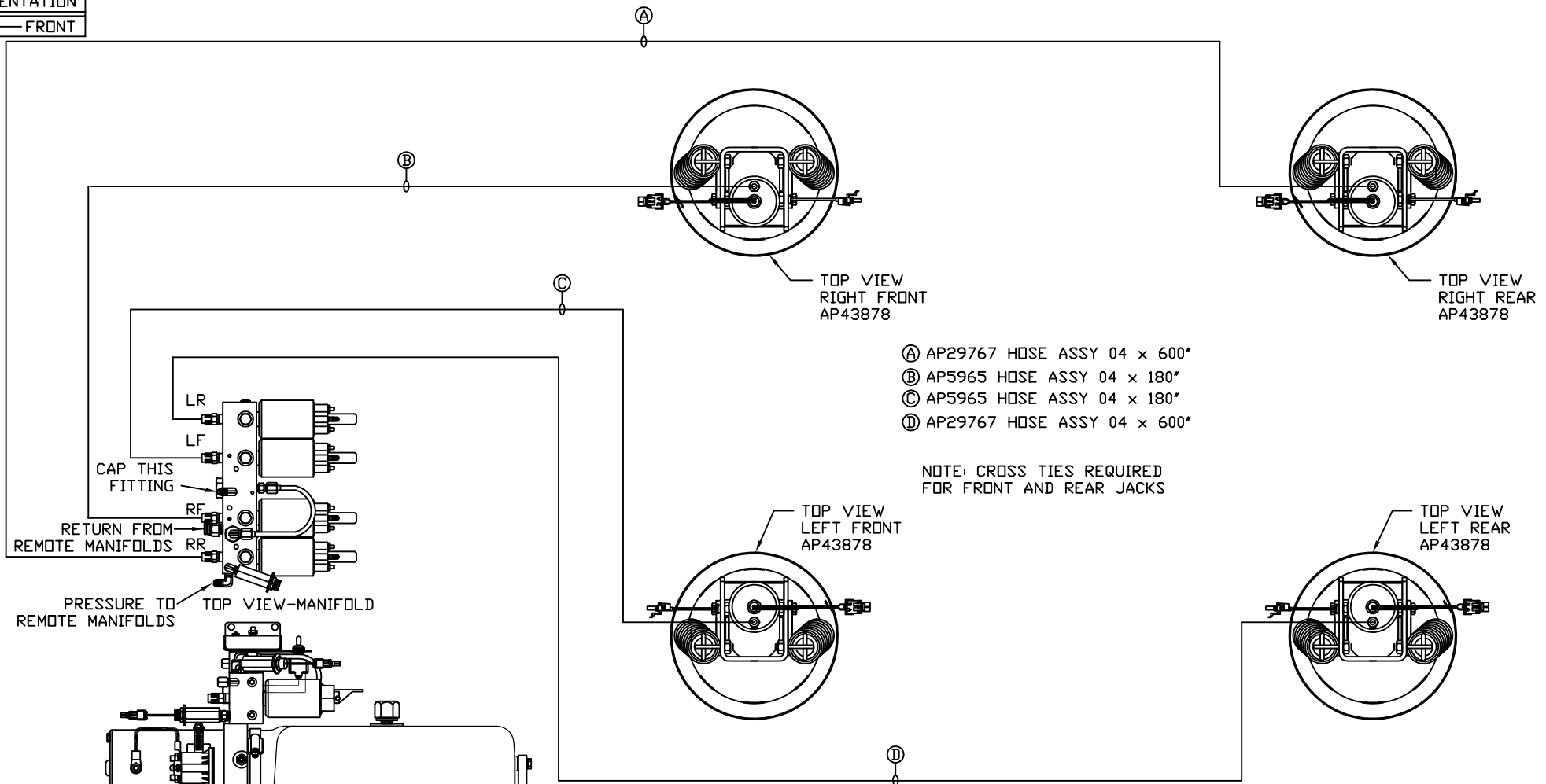


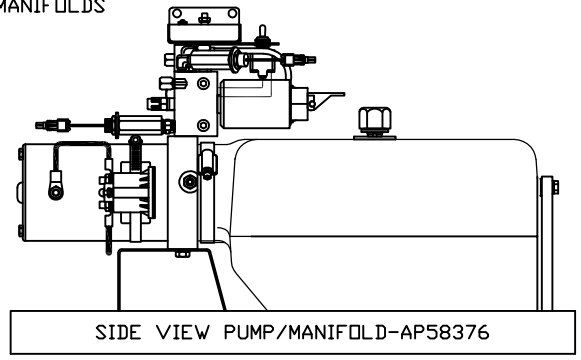
ORIENTATION  
← FRONT



- Ⓐ AP29767 HOSE ASSY 04 x 600"
- Ⓑ AP5965 HOSE ASSY 04 x 180"
- Ⓒ AP5965 HOSE ASSY 04 x 180"
- Ⓓ AP29767 HOSE ASSY 04 x 600"

NOTE: CROSS TIES REQUIRED FOR FRONT AND REAR JACKS

LR  
LF  
RF  
RR  
CAP THIS FITTING  
RETURN FROM REMOTE MANIFOLDS  
PRESSURE TO REMOTE MANIFOLDS  
TOP VIEW-MANIFOLD



SIDE VIEW PUMP/MANIFOLD-AP58376

LOCATION AND ORIENTATION OF PUMP/MANIFOLD ASSEMBLY WILL DIFFER DEPENDING UPON O.E.M.

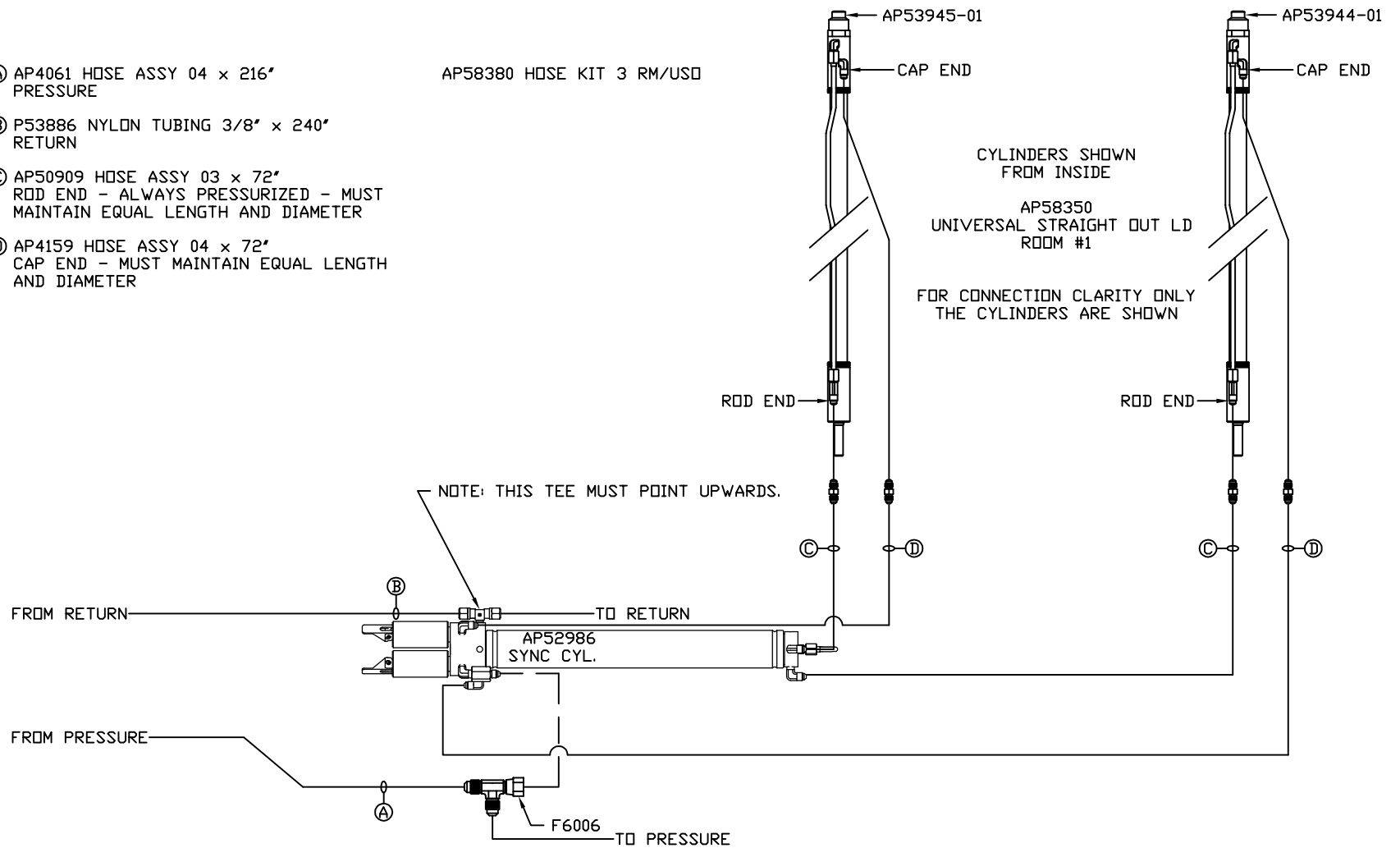
NOTE: INSTALLATION MUST CONFORM TO GOOD SHOP PRACTICES, SAE STANDARDS, RVIA STANDARDS, AND OTHER APPLICABLE STANDARDS.

LEVELING SYSTEM: AP58377

		HWH		I-80 EXIT 267 SOUTH RT 1 MOSCOW, IOWA 52760	
		SCALE 1:6	DATE 03JAN18	DRAWN BY .	
		HYD CONN DIAGRAM			
NO.	DATE	REVISION			
		MSV		DRAWING NUMBER MP71129 A/D	
THE INFORMATION DISCLOSED ON THIS DRAWING IS CONFIDENTIAL AND MUST NOT BE DISCLOSED OR USED IN ANY MANNER WHICH WILL BE DETRIMENTAL TO THE HWH CORPORATION					

- Ⓐ AP4061 HOSE ASSY 04 x 216" PRESSURE
- Ⓑ P53886 NYLON TUBING 3/8" x 240" RETURN
- Ⓒ AP50909 HOSE ASSY 03 x 72" ROD END - ALWAYS PRESSURIZED - MUST MAINTAIN EQUAL LENGTH AND DIAMETER
- Ⓓ AP4159 HOSE ASSY 04 x 72" CAP END - MUST MAINTAIN EQUAL LENGTH AND DIAMETER

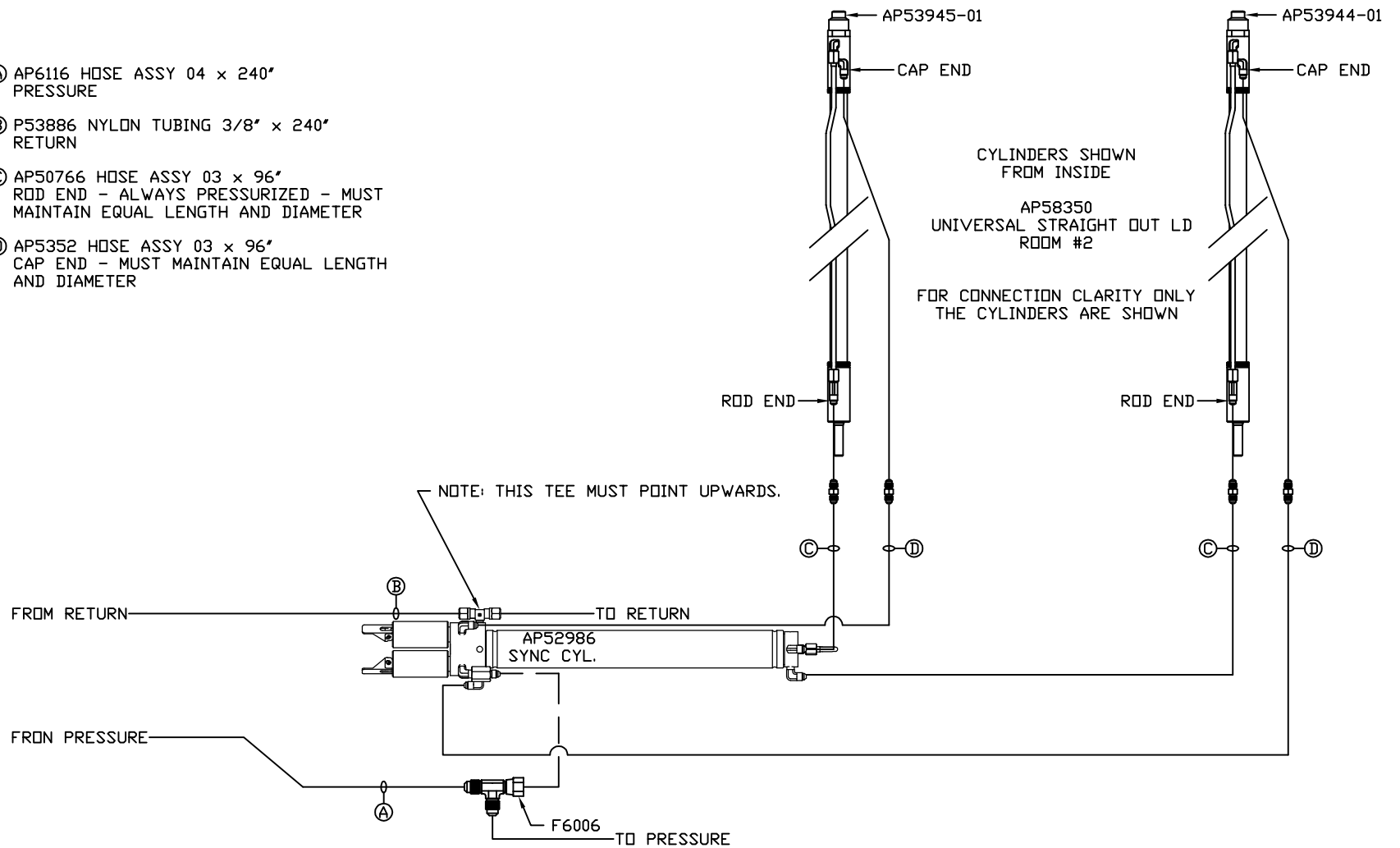
AP58380 HOSE KIT 3 RM/USD



NOTE: INSTALLATION MUST CONFORM TO GOOD SHOP PRACTICES, SAE STANDARDS, RVIA STANDARDS, AND OTHER APPLICABLE STANDARDS.

MP71129 B/D  
03JAN18

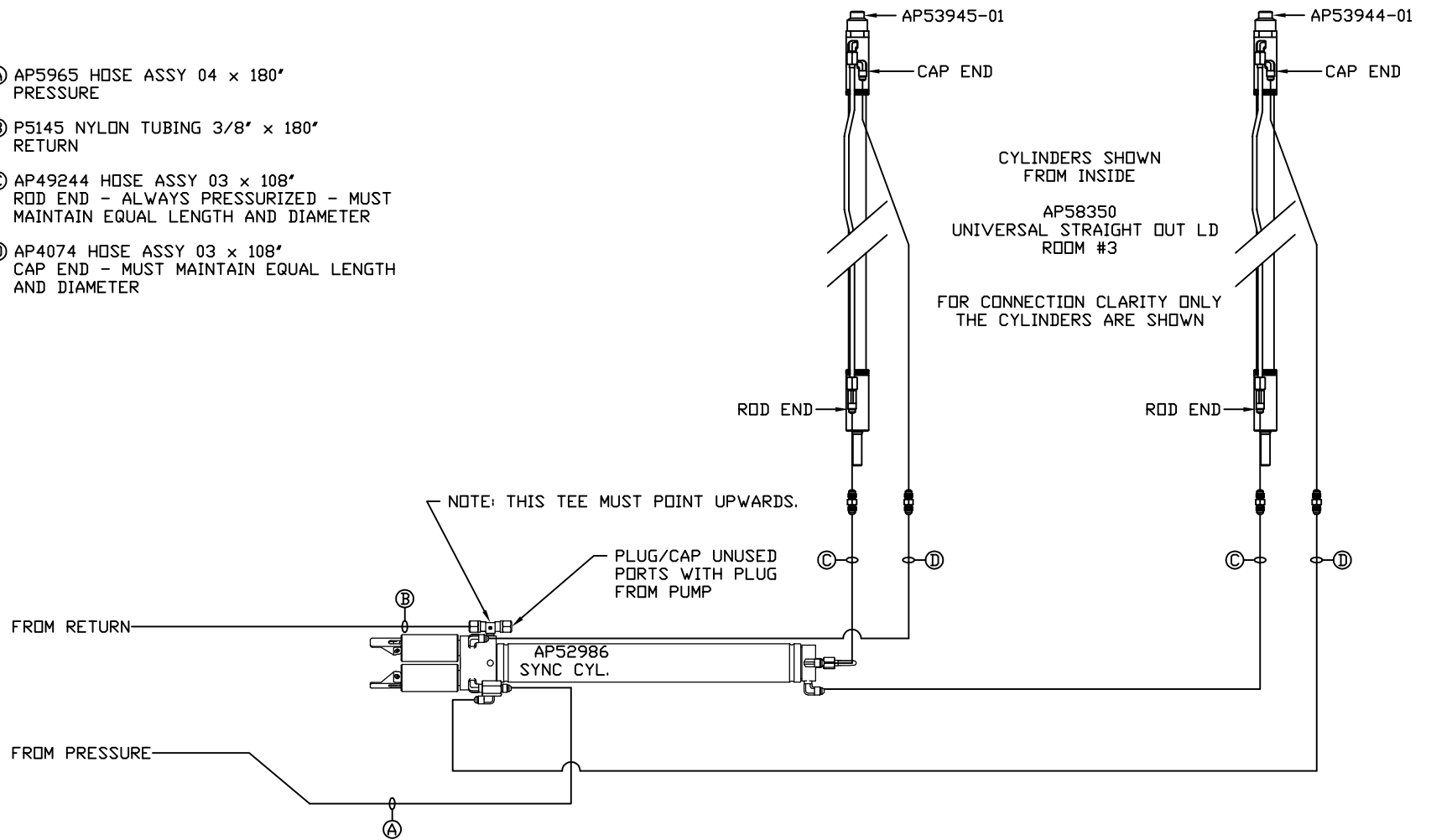
- Ⓐ AP6116 HOSE ASSY 04 x 240"  
PRESSURE
- Ⓑ P53886 NYLON TUBING 3/8" x 240"  
RETURN
- Ⓒ AP50766 HOSE ASSY 03 x 96"  
ROD END - ALWAYS PRESSURIZED - MUST  
MAINTAIN EQUAL LENGTH AND DIAMETER
- Ⓓ AP5352 HOSE ASSY 03 x 96"  
CAP END - MUST MAINTAIN EQUAL LENGTH  
AND DIAMETER



NOTE: INSTALLATION MUST CONFORM TO GOOD SHOP PRACTICES, SAE STANDARDS, RVIA STANDARDS, AND OTHER APPLICABLE STANDARDS.

MP71129 C/D  
03JAN18

- Ⓐ AP5965 HOSE ASSY 04 x 180' PRESSURE
- Ⓑ P5145 NYLON TUBING 3/8" x 180' RETURN
- Ⓒ AP49244 HOSE ASSY 03 x 108' ROD END - ALWAYS PRESSURIZED - MUST MAINTAIN EQUAL LENGTH AND DIAMETER
- Ⓓ AP4074 HOSE ASSY 03 x 108' CAP END - MUST MAINTAIN EQUAL LENGTH AND DIAMETER



NOTE: INSTALLATION MUST CONFORM TO GOOD SHOP PRACTICES, SAE STANDARDS, RVIA STANDARDS, AND OTHER APPLICABLE STANDARDS.

MP71129 D/D  
03JAN18