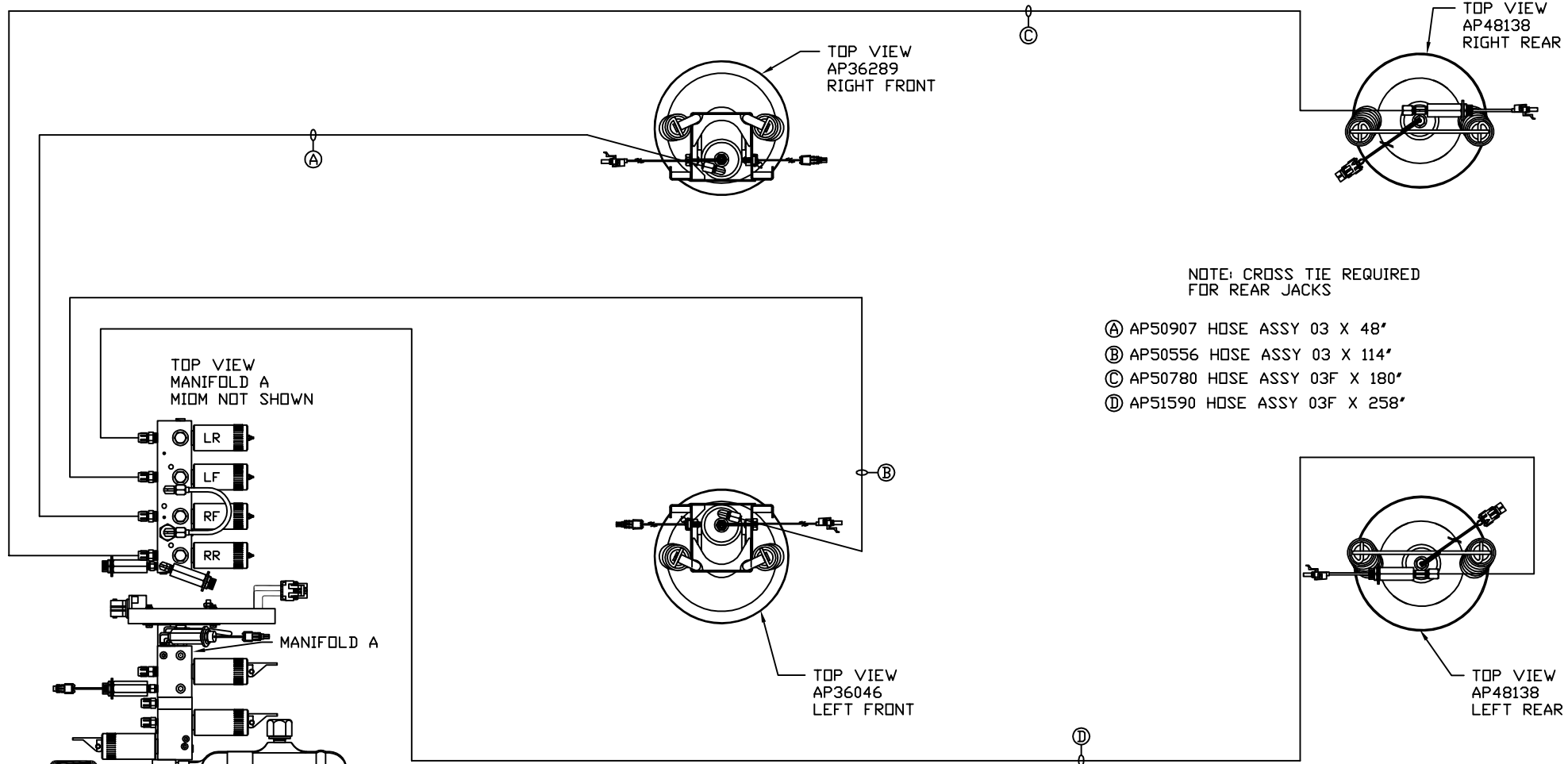


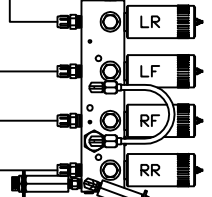
ORIENTATION
← FRONT



NOTE: CROSS TIE REQUIRED FOR REAR JACKS

- Ⓐ AP50907 HOSE ASSY 03 X 48"
- Ⓑ AP50556 HOSE ASSY 03 X 114"
- Ⓒ AP50780 HOSE ASSY 03F X 180"
- Ⓓ AP51590 HOSE ASSY 03F X 258"

TOP VIEW
MANIFOLD A
MIDM NOT SHOWN



MANIFOLD A

SIDE VIEW PUMP/MANIFOLD-AP51514

LOCATION AND ORIENTATION OF PUMP/MANIFOLD ASSEMBLY WILL DIFFER DEPENDING UPON O.E.M.

NOTE: INSTALLATION MUST CONFORM TO GOOD SHOP PRACTICES, SAE STANDARDS, RVIA STANDARDS, AND OTHER APPLICABLE STANDARDS.

LEVELING SYSTEM: AP58402

NO.	DATE	REVISION

HWH I-80 EXIT 267 SOUTH
RT 1 MOSCOW, IOWA 52760

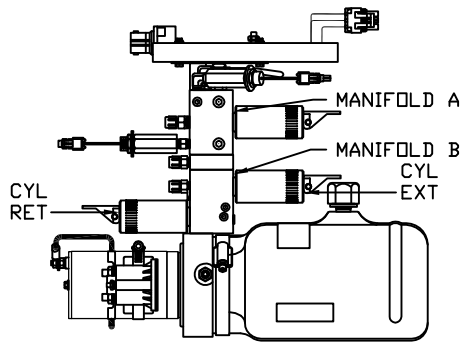
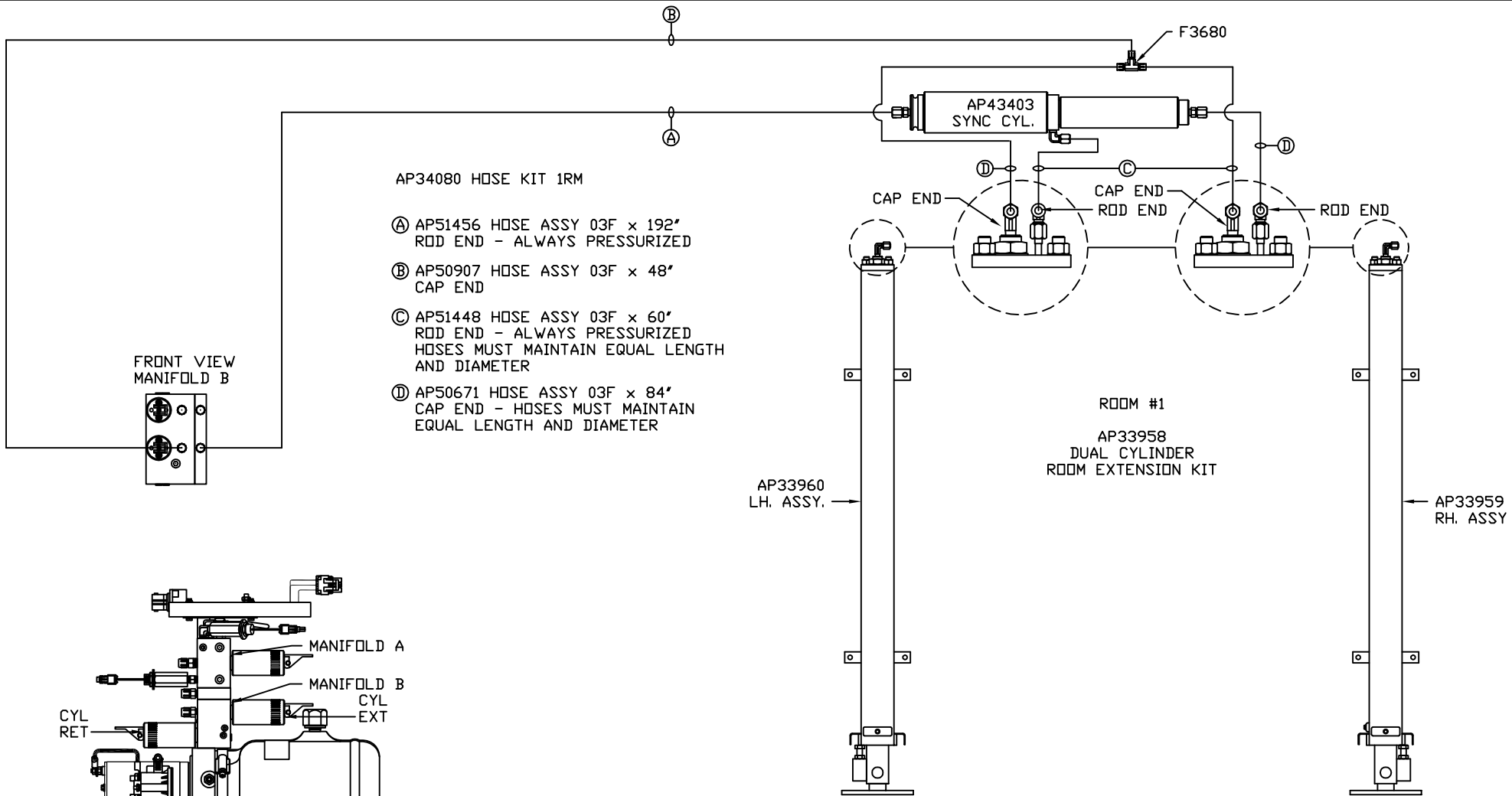
SCALE 1:6 DATE 20DEC17 DRAWN BY .

HYD CONN DIAGRAM

COACH HOUSE

DRAWING NUMBER
MP71131 A/C

THE INFORMATION DISCLOSED ON THIS DRAWING IS CONFIDENTIAL AND MUST NOT BE DISCLOSED OR USED IN ANY MANNER WHICH WILL BE DETRIMENTAL TO THE HWH CORPORATION



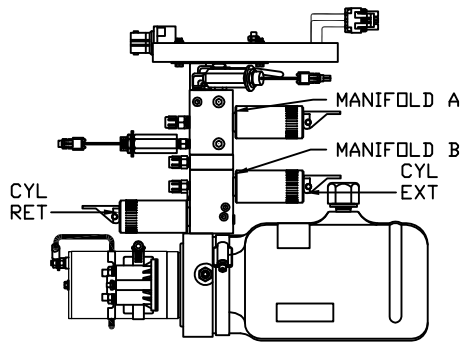
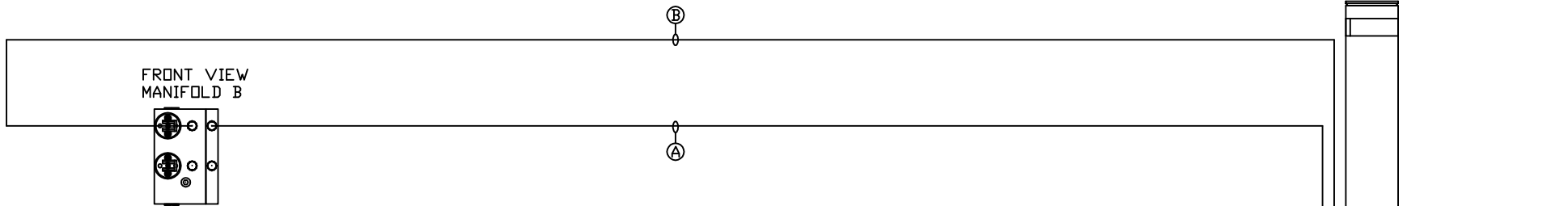
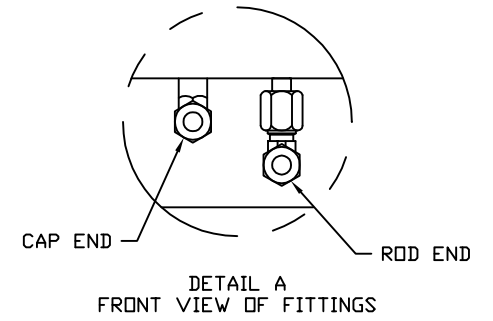
SIDE VIEW PUMP/MANIFOLD-AP51514
LOCATION AND ORIENTATION OF
PUMP/MANIFOLD ASSEMBLY WILL
DIFFER DEPENDING UPON O.E.M.

NOTE: INSTALLATION MUST CONFORM TO GOOD SHOP PRACTICES, SAE
STANDARDS, RVIA STANDARDS, AND OTHER APPLICABLE STANDARDS.

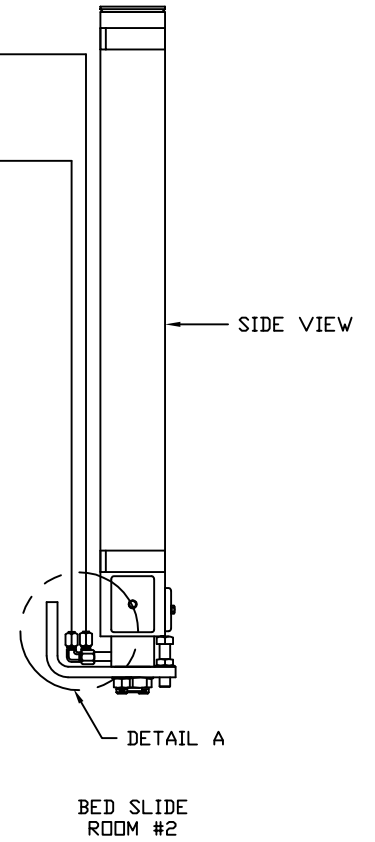
MP71131 B/C
20DEC17

AP28723 HOSE KIT 1 RE

- Ⓐ AP51589 HOSE ASSY 03F x 228'
ROD END - ALWAYS PRESSURIZED
- Ⓑ AP50911 HOSE ASSY 03F x 240'
CAP END



SIDE VIEW PUMP/MANIFOLD-AP51514
LOCATION AND ORIENTATION OF
PUMP/MANIFOLD ASSEMBLY WILL
DIFFER DEPENDING UPON O.E.M.



NOTE: INSTALLATION MUST CONFORM TO GOOD SHOP PRACTICES, SAE STANDARDS, RVIA STANDARDS, AND OTHER APPLICABLE STANDARDS.

MP71131 C/C
20DEC17