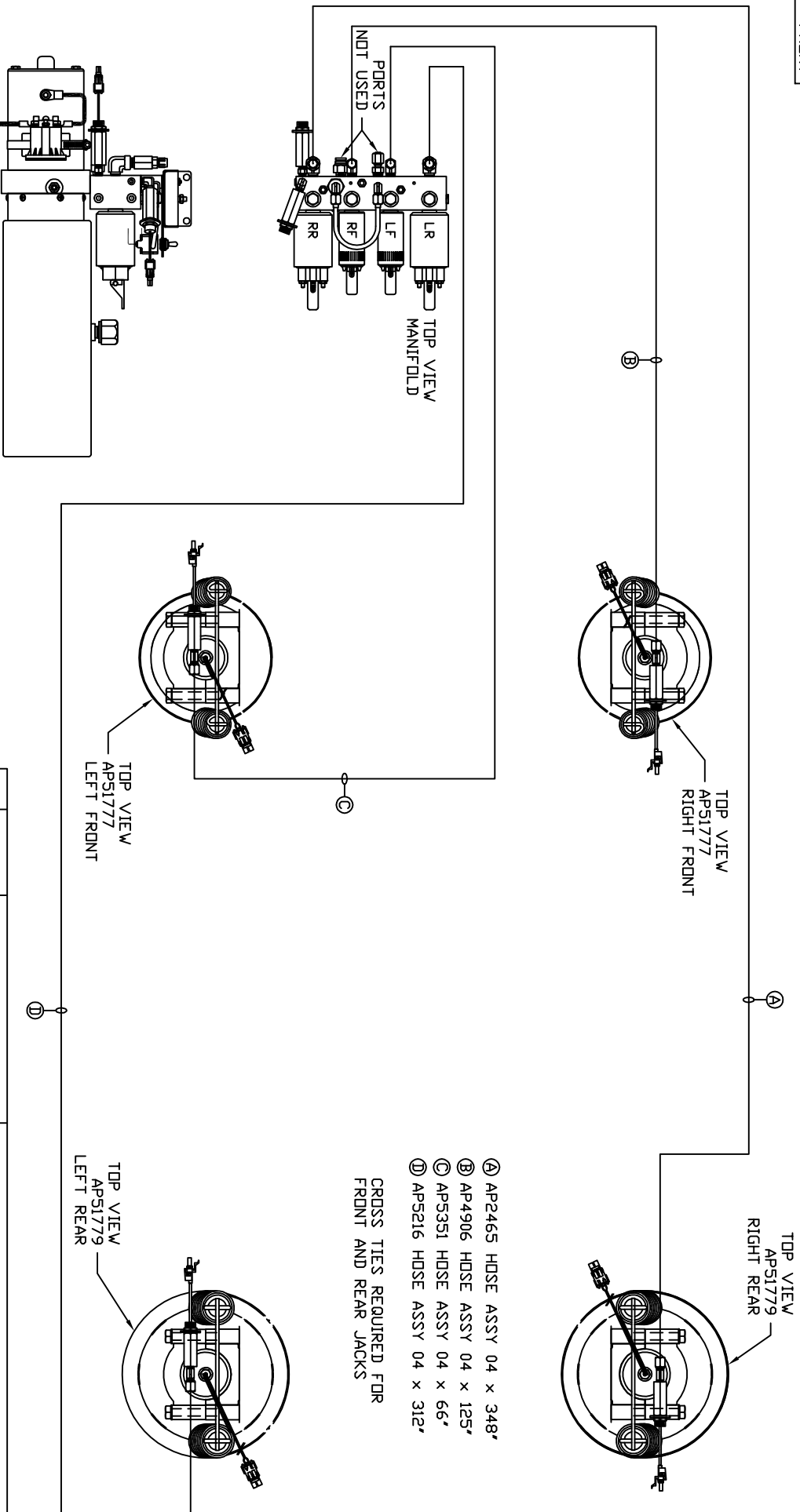


ORIENTATION
FRONT



NOTE: INSTALLATION MUST CONFORM TO GOOD SHOP PRACTICES, SAE STANDARDS, RVIA STANDARDS, AND OTHER APPLICABLE STANDARDS.

LEVELING SYSTEM: AP58450

NO.	DATE	REVISION

THE INFORMATION DISCLOSED ON THIS DRAWING IS CONFIDENTIAL AND MUST NOT BE DISCLOSED OR USED IN ANY MANNER WHICH WILL BE DETRIMENTAL TO THE HWH CORPORATION

SCALE 1:6 DATE 12JAN18 DRAWN BY .

HWH 1-80 EXIT 267 SOUTH
RT 1 MOSCOW, IDWA 52760

HYD CONN DIAGRAM

FORETRAVEL DRAWING NUMBER
MP71137