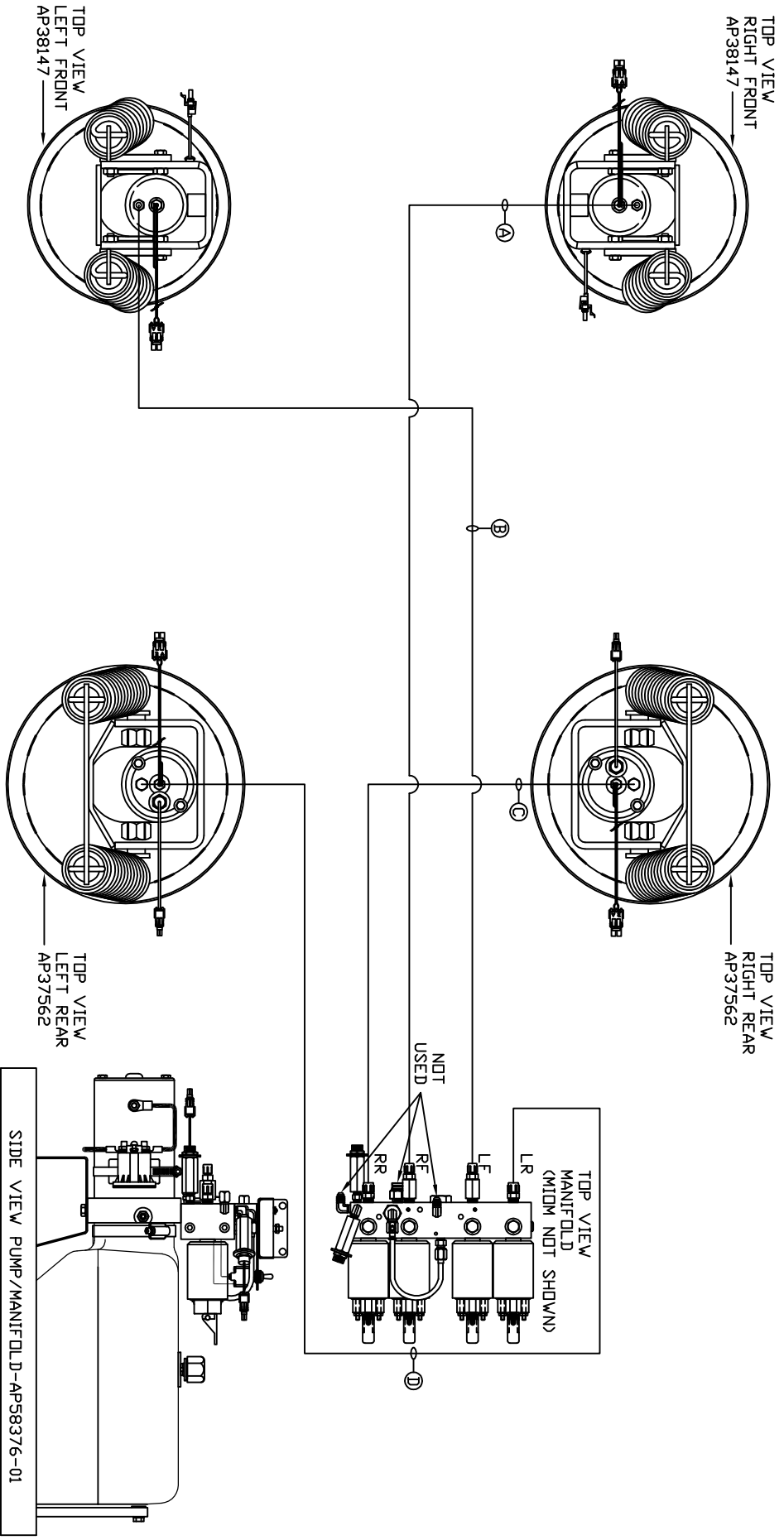


ORIENTATION  
FRONT



- Ⓐ AP6117 HOSE ASSY 04 x 432'
- Ⓑ AP4164 HOSE ASSY 04 x 384'
- Ⓒ AP19013 HOSE ASSY 05 x 180'
- Ⓓ AP42054 HOSE ASSY 05 x 108'

CROSS-TIES REQUIRED FOR STRAIGHT-ACTING JACKS ON BOTH FRONT AND REAR.

NOTE: INSTALLATION MUST CONFORM TO GOOD SHOP PRACTICES, SAE STANDARDS, RVIA STANDARDS, AND OTHER APPLICABLE STANDARDS. LEVELING SYSTEM: AP58504

NO.	DATE	REVISION

THE INFORMATION DISCLOSED ON THIS DRAWING IS CONFIDENTIAL AND MUST NOT BE DISCLOSED OR USED IN ANY MANNER WHICH WILL BE DETRIMENTAL TO THE HWH CORPORATION

SCALE 1:6 DATE 25JAN18 DRAWN BY .

HWH 1-80 EXIT 267 SOUTH RT 1 MOSCOW, IOWA 52760

HYD CONN DIAGRAM

PIERCE MFG. DRAWING NUMBER MP71139