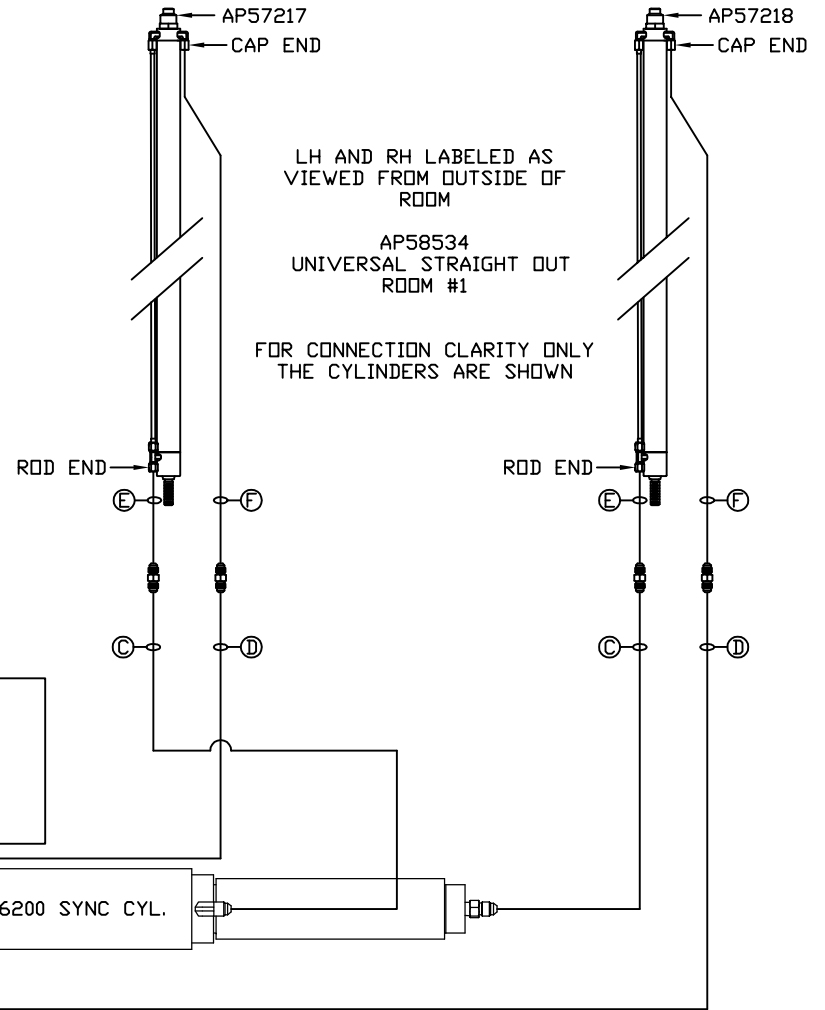


AP58548 HOSE KIT 4RM/USD

NOTE: HOSES (E) AND (F) ARE INCLUDED WITH THE ROOM EXTENSION MECHANISM.

- (A) AP5352 HOSE ASSY 04 x 96' PRESSURE
- (B) P5254 RETURN LINE 3/8 x 96' RETURN
- (C) AP49245 HOSE ASSY 03 x 120' ROD END - ALWAYS PRESSURIZED - MUST MAINTAIN EQUAL LENGTH AND DIAMETER
- (D) AP4161 HOSE ASSY 04 x 120' CAP END - MUST MAINTAIN EQUAL LENGTH AND DIAMETER

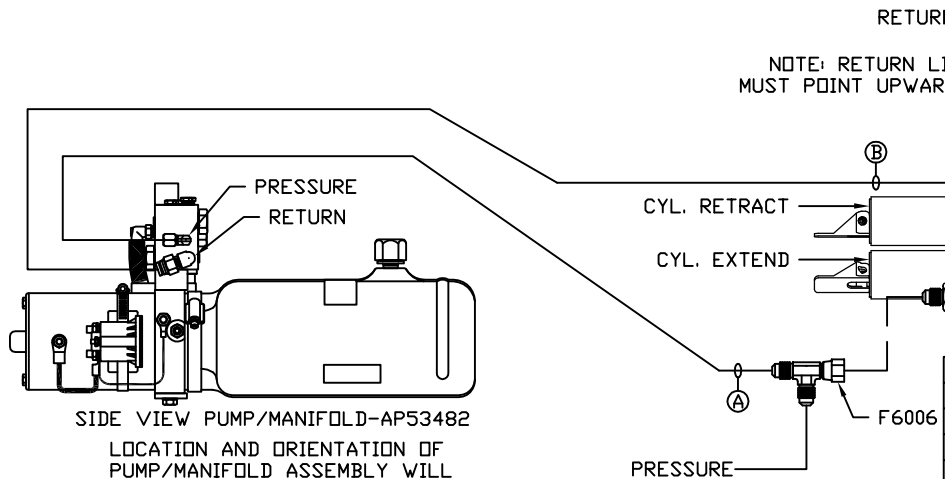
- (E) AP24632 HOSE ASSY 02 x 48' HWH HP CAP END - MUST MAINTAIN EQUAL LENGTH AND DIAMETER
- (F) AP24636 HOSE ASSY 02 x 84' HWH HP ROD END - ALWAYS PRESSURIZED - MUST MAINTAIN EQUAL LENGTH AND DIAMETER



LH AND RH LABELED AS VIEWED FROM OUTSIDE OF ROOM

AP58534 UNIVERSAL STRAIGHT OUT ROOM #1

FOR CONNECTION CLARITY ONLY THE CYLINDERS ARE SHOWN



SIDE VIEW PUMP/MANIFOLD-AP53482

LOCATION AND ORIENTATION OF PUMP/MANIFOLD ASSEMBLY WILL DIFFER DEPENDING UPON O.E.M.

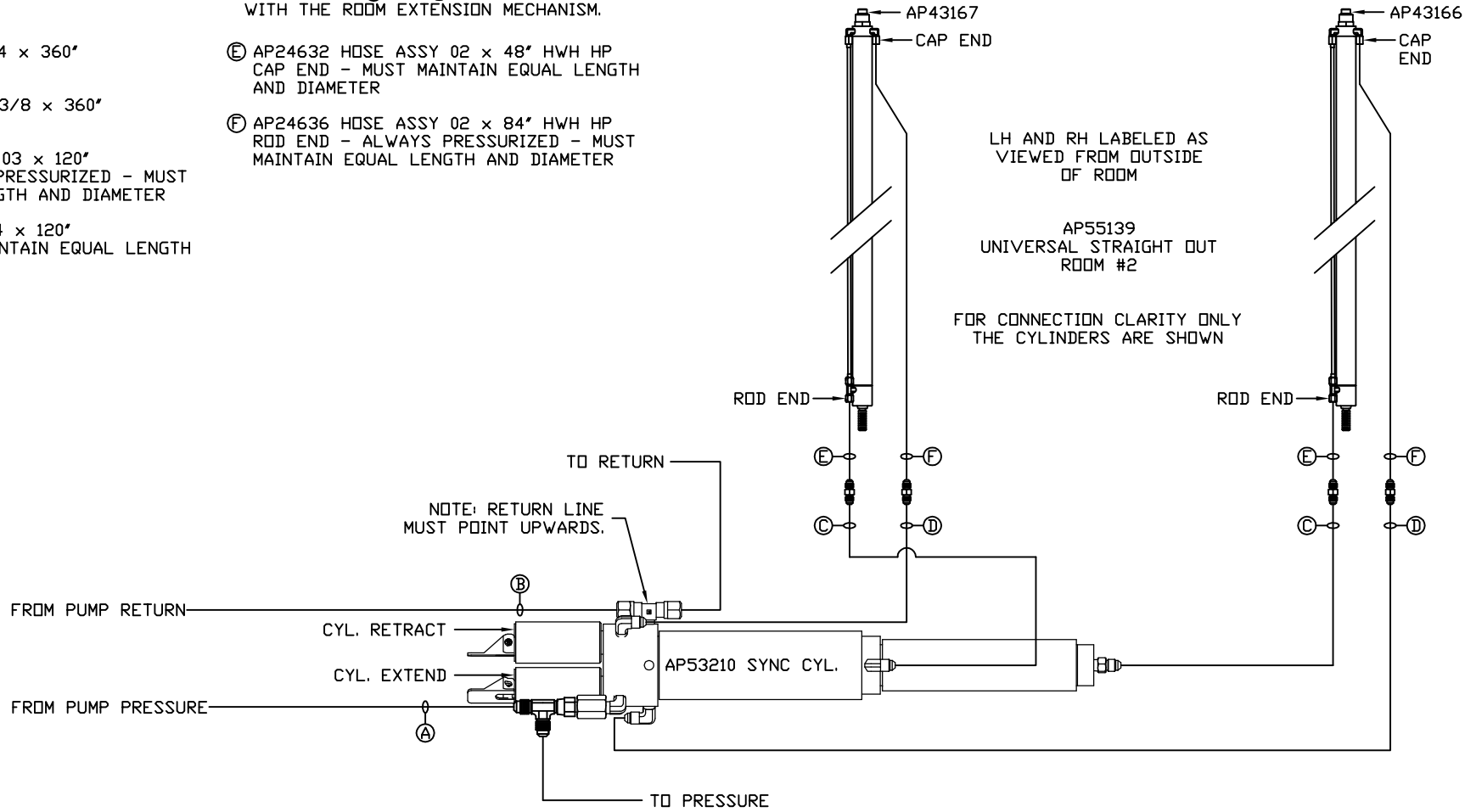
		HWH I-80 EXIT 267 SOUTH RT 1 MOSCOW, IOWA 52760	
SCALE 1:6	DATE 06FEB18	DRAWN BY .	
HYD CONN DIAGRAM			
NO.	DATE	REVISION	
THE INFORMATION DISCLOSED ON THIS DRAWING IS CONFIDENTIAL AND MUST NOT BE DISCLOSED OR USED IN ANY MANNER WHICH WILL BE DETRIMENTAL TO THE HWH CORPORATION			
ZANETTI TRAILERS			DRAWING NUMBER MP71141 A/D

NOTE: INSTALLATION MUST CONFORM TO GOOD SHOP PRACTICES, SAE STANDARDS, RVIA STANDARDS, AND OTHER APPLICABLE STANDARDS.

NOTE: HOSES Ⓒ AND Ⓓ ARE INCLUDED WITH THE ROOM EXTENSION MECHANISM.

- Ⓐ AP4163 HOSE ASSY 04 x 360' PRESSURE
- Ⓑ P4479 RETURN LINE 3/8 x 360' RETURN
- Ⓒ AP49245 HOSE ASSY 03 x 120' ROD END - ALWAYS PRESSURIZED - MUST MAINTAIN EQUAL LENGTH AND DIAMETER
- Ⓓ AP4161 HOSE ASSY 04 x 120' CAP END - MUST MAINTAIN EQUAL LENGTH AND DIAMETER

- Ⓔ AP24632 HOSE ASSY 02 x 48' HWH HP CAP END - MUST MAINTAIN EQUAL LENGTH AND DIAMETER
- Ⓕ AP24636 HOSE ASSY 02 x 84' HWH HP ROD END - ALWAYS PRESSURIZED - MUST MAINTAIN EQUAL LENGTH AND DIAMETER



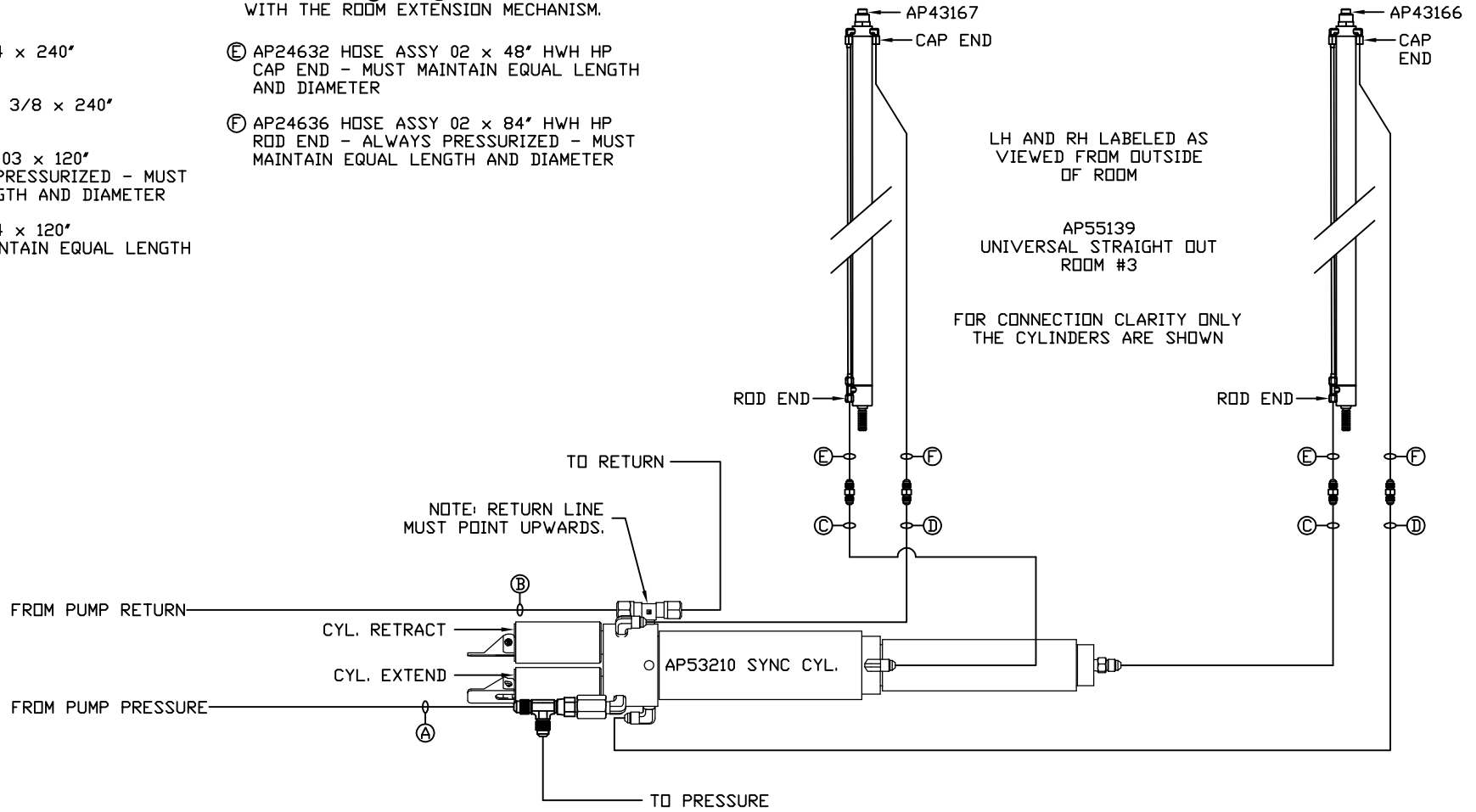
NOTE: INSTALLATION MUST CONFORM TO GOOD SHOP PRACTICES, SAE STANDARDS, RVIA STANDARDS, AND OTHER APPLICABLE STANDARDS.

MP71141 B/D
06FEB18

NOTE: HOSES ⑤ AND ⑥ ARE INCLUDED WITH THE ROOM EXTENSION MECHANISM.

- ④ AP6116 HOSE ASSY 04 x 240' PRESSURE
- ⑤ P53886 RETURN LINE 3/8 x 240' RETURN
- ③ AP49245 HOSE ASSY 03 x 120' ROD END - ALWAYS PRESSURIZED - MUST MAINTAIN EQUAL LENGTH AND DIAMETER
- ① AP4161 HOSE ASSY 04 x 120' CAP END - MUST MAINTAIN EQUAL LENGTH AND DIAMETER

- ⑤ AP24632 HOSE ASSY 02 x 48' HWH HP CAP END - MUST MAINTAIN EQUAL LENGTH AND DIAMETER
- ⑥ AP24636 HOSE ASSY 02 x 84' HWH HP ROD END - ALWAYS PRESSURIZED - MUST MAINTAIN EQUAL LENGTH AND DIAMETER



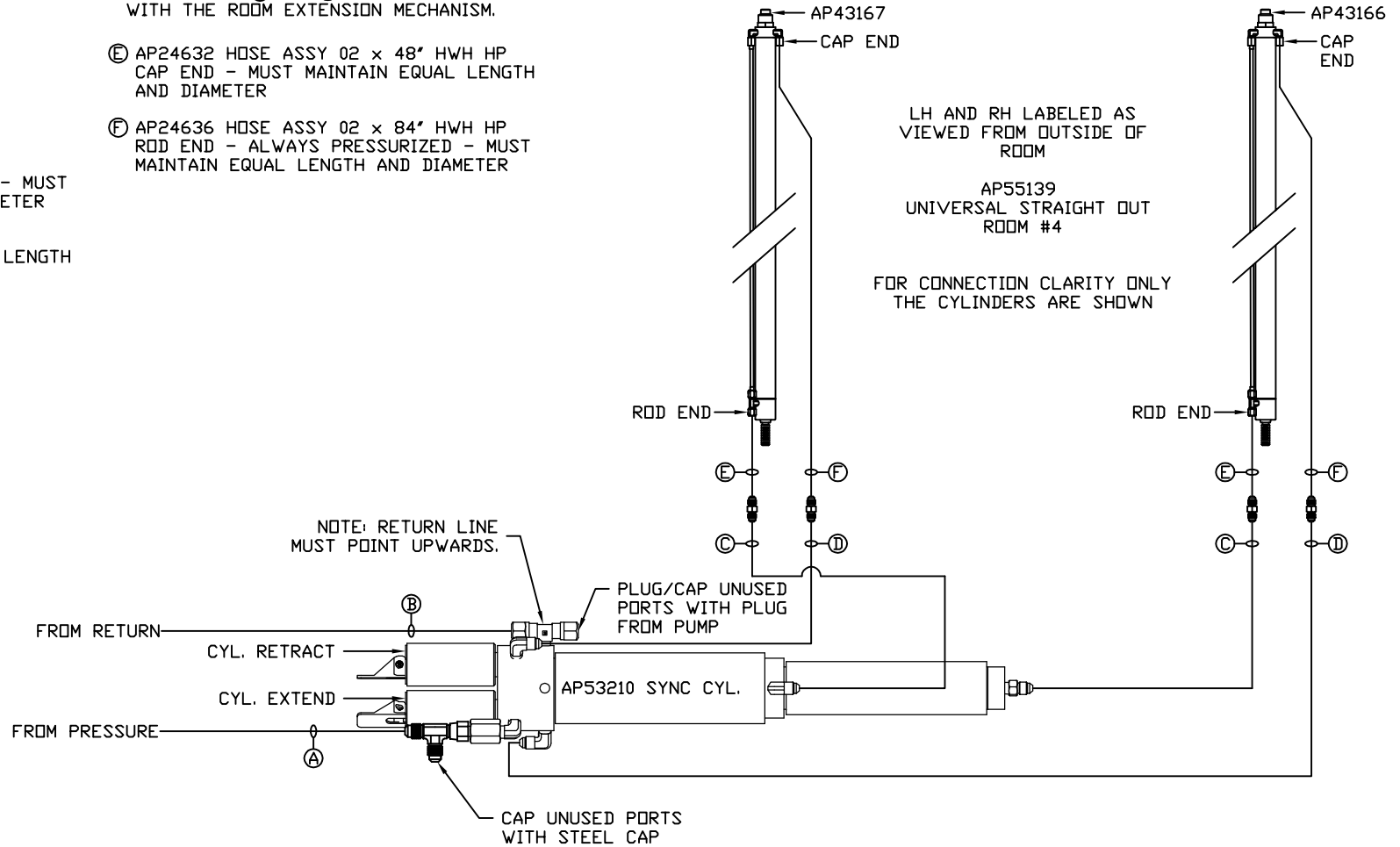
NOTE: INSTALLATION MUST CONFORM TO GOOD SHOP PRACTICES, SAE STANDARDS, RVIA STANDARDS, AND OTHER APPLICABLE STANDARDS.

MP71141 C/D
06FEB18

NOTE: HOSES ③ AND ④ ARE INCLUDED WITH THE ROOM EXTENSION MECHANISM.

- ① AP5561 HOSE ASSY 04 x 336" PRESSURE
- ② P4479 RETURN LINE 3/8 x 360" RETURN
- ③ AP49245 HOSE ASSY 03 x 120" ROD END - ALWAYS PRESSURIZED - MUST MAINTAIN EQUAL LENGTH AND DIAMETER
- ④ AP4161 HOSE ASSY 04 x 120" CAP END - MUST MAINTAIN EQUAL LENGTH AND DIAMETER

- ⑤ AP24632 HOSE ASSY 02 x 48" HWH HP CAP END - MUST MAINTAIN EQUAL LENGTH AND DIAMETER
- ⑥ AP24636 HOSE ASSY 02 x 84" HWH HP ROD END - ALWAYS PRESSURIZED - MUST MAINTAIN EQUAL LENGTH AND DIAMETER



NOTE: INSTALLATION MUST CONFORM TO GOOD SHOP PRACTICES, SAE STANDARDS, RVIA STANDARDS, AND OTHER APPLICABLE STANDARDS.

MP71141 D/D
06FEB18