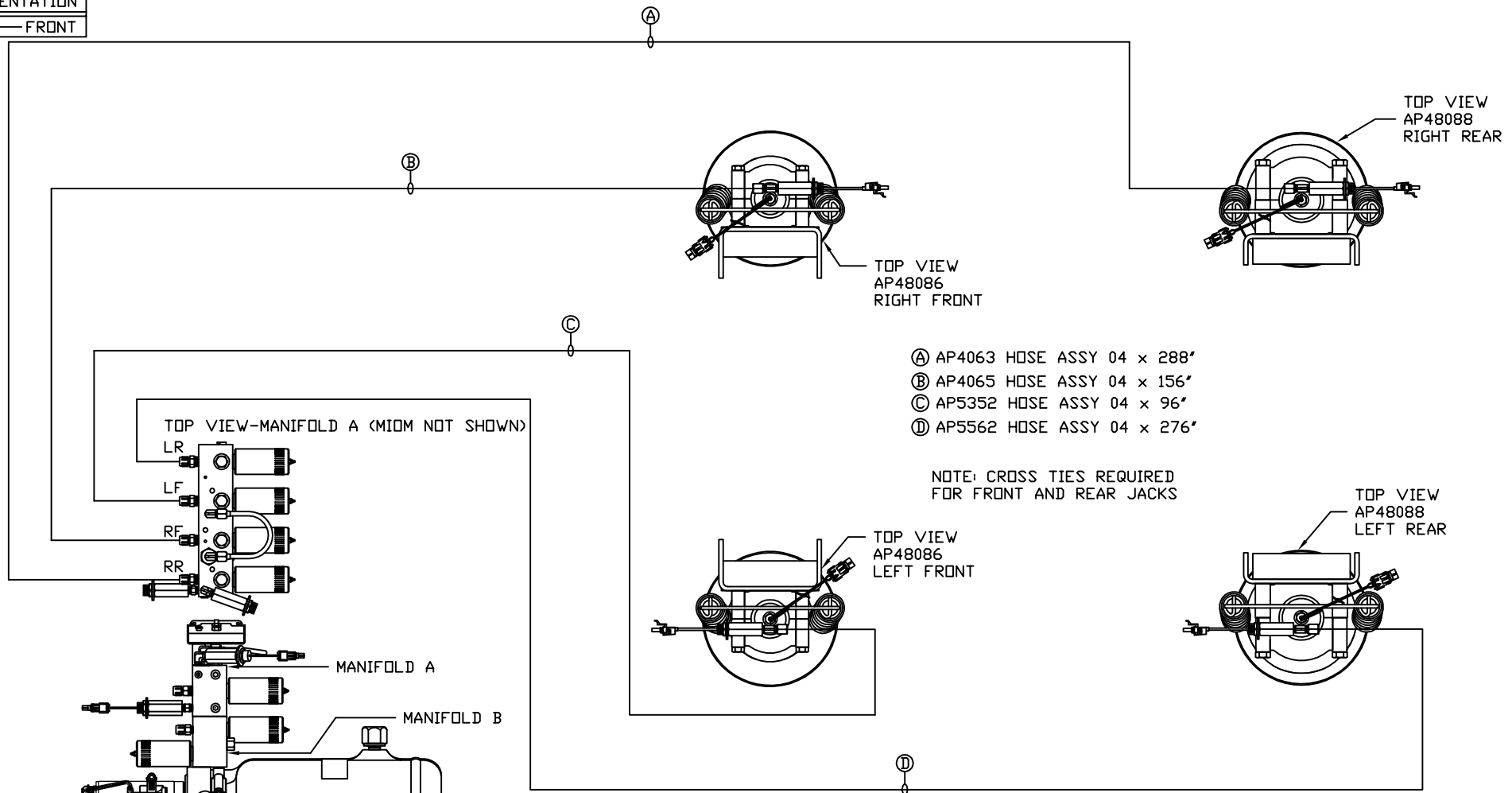
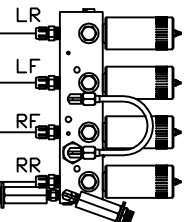


ORIENTATION
← FRONT

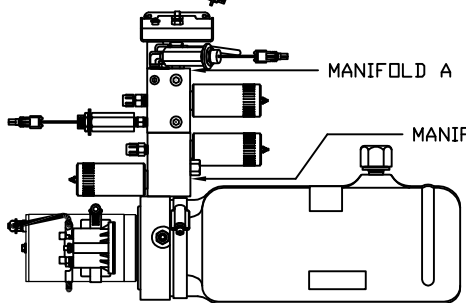


TOP VIEW-MANIFOLD A (MIDM NOT SHOWN)



MANIFOLD A

MANIFOLD B



SIDE VIEW PUMP/MANIFOLD-AP58580

LOCATION AND ORIENTATION OF PUMP/MANIFOLD ASSEMBLY WILL DIFFER DEPENDING UPON O.E.M.

- Ⓐ AP4063 HOSE ASSY 04 x 288"
- Ⓑ AP4065 HOSE ASSY 04 x 156"
- Ⓒ AP5352 HOSE ASSY 04 x 96"
- Ⓓ AP5562 HOSE ASSY 04 x 276"

NOTE: CROSS TIES REQUIRED FOR FRONT AND REAR JACKS

NO.	DATE	REVISION
1		
2		
3		
4		
5		
6		
7		
8		
9		
10		

HWH			I-80 EXIT 267 SOUTH RT 1 MOSCOW, IOWA 52760		
SCALE 1:6	DATE 14FEB18	DRAWN BY .			
HYD CONN DIAGRAM					
TIFFIN				DRAWING NUMBER MP71143 A/C	

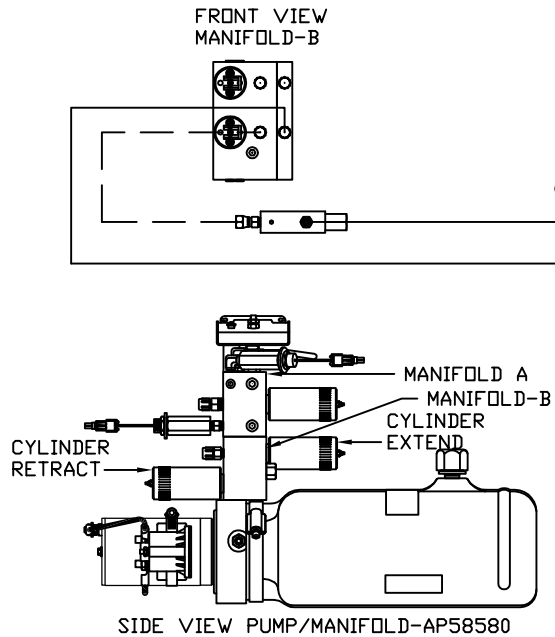
NOTE: INSTALLATION MUST CONFORM TO GOOD SHOP PRACTICES, SAE STANDARDS, RVIA STANDARDS, AND OTHER APPLICABLE STANDARDS.

SYNC KIT: AP56423
PUMP KIT: AP58587
JACK KIT: AP58585

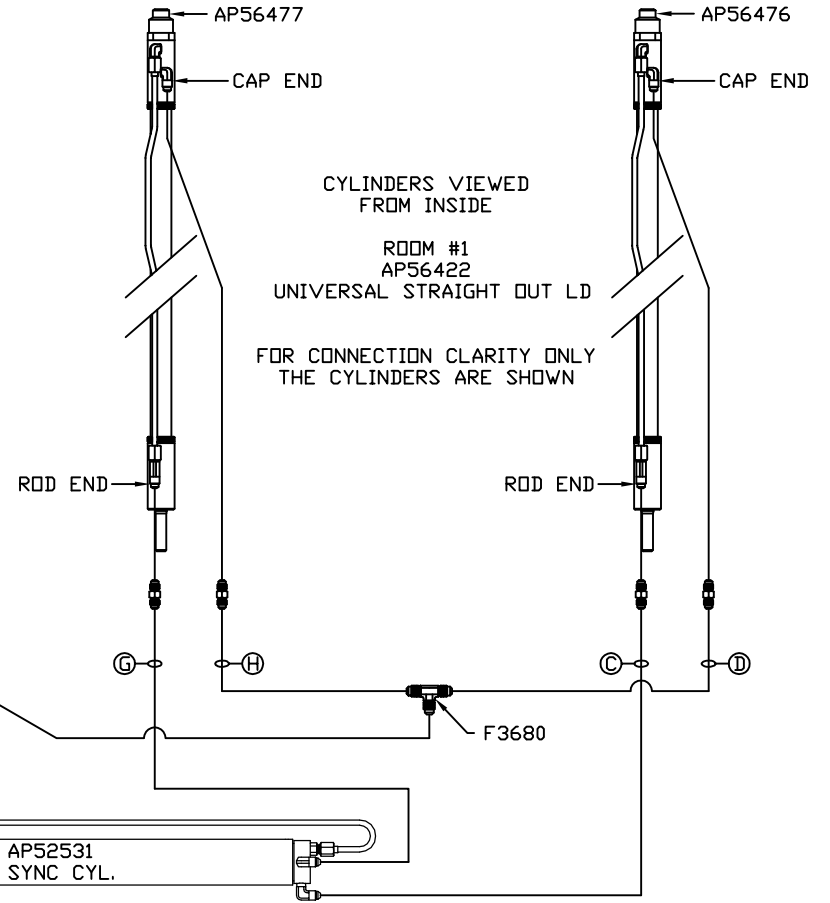
THE INFORMATION DISCLOSED ON THIS DRAWING IS CONFIDENTIAL AND MUST NOT BE DISCLOSED OR USED IN ANY MANNER WHICH WILL BE DETRIMENTAL TO THE HWH CORPORATION

ORIENTATION
← FRONT

- Ⓐ AP24639 HOSE ASSY HWH02HP x 96'
ROD END - ALWAYS PRESSURIZED
- Ⓑ AP56741-01 WITH AP50910 HOSE ASSY 03 x 90'
CAP END
- Ⓒ AP24644 HOSE ASSY HWH02HP x 132'
ROD END - ALWAYS PRESSURIZED
- Ⓓ AP49439 HOSE ASSY 03 x 132'
CAP END
- Ⓔ AP24644 HOSE ASSY HWH02HP x 132'
ROD END - ALWAYS PRESSURIZED
- Ⓕ AP49439 HOSE ASSY 03 x 132'
CAP END



LOCATION AND ORIENTATION OF
PUMP/MANIFOLD ASSEMBLY WILL
DIFFER DEPENDING UPON O.E.M.



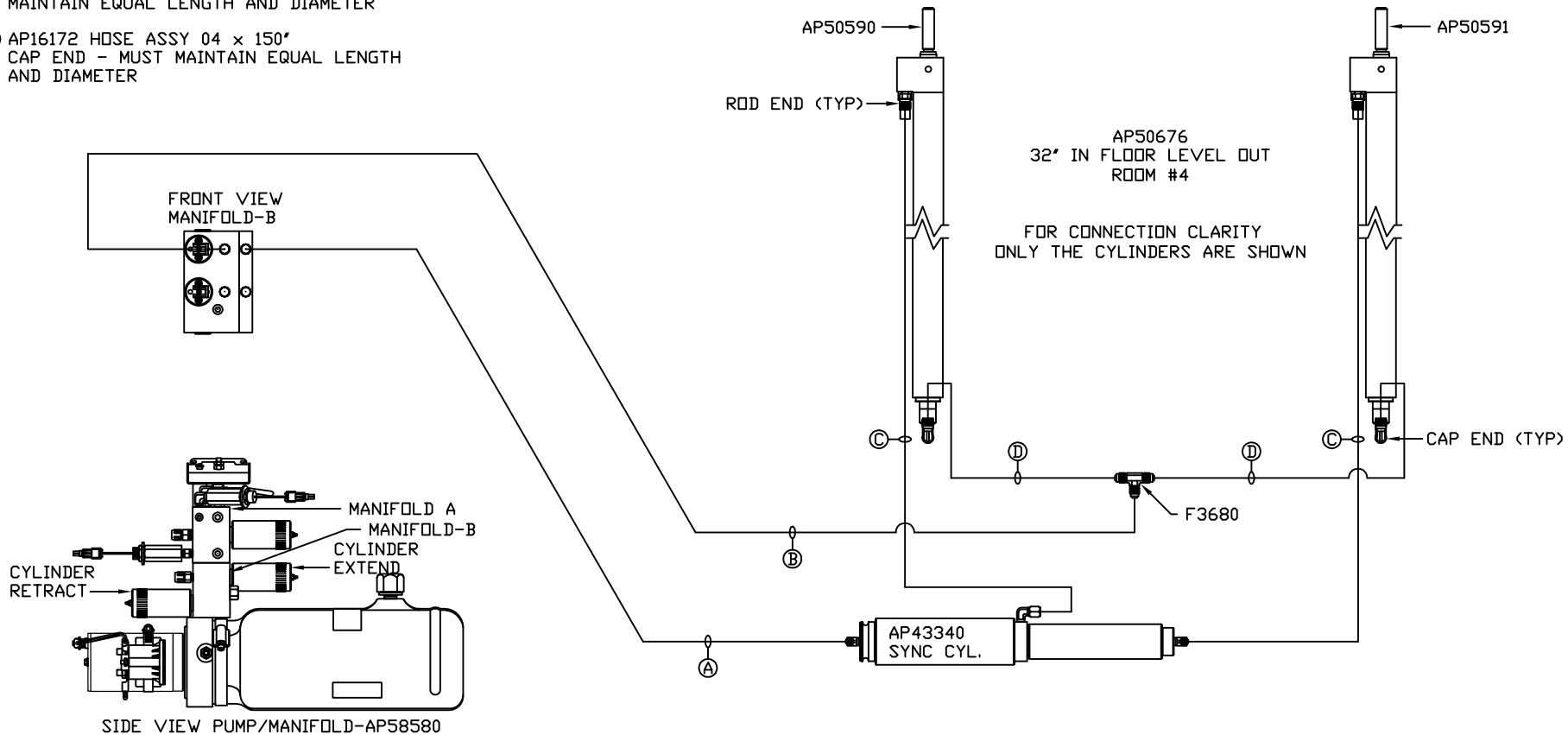
NOTE: INSTALLATION MUST CONFORM TO GOOD SHOP PRACTICES, SAE
STANDARDS, RVIA STANDARDS, AND OTHER APPLICABLE STANDARDS.

MP71143 B/C
14FEB18

ORIENTATION

← FRONT

- Ⓐ AP4062 HOSE ASSY 04 x 132"
ROD END - ALWAYS PRESSURIZED
- Ⓑ AP4161 HOSE ASSY 04 x 120"
CAP END
- Ⓒ AP51404 HOSE ASSY 03 x 150"
ROD END - ALWAYS PRESSURIZED - MUST
MAINTAIN EQUAL LENGTH AND DIAMETER
- Ⓓ AP16172 HOSE ASSY 04 x 150"
CAP END - MUST MAINTAIN EQUAL LENGTH
AND DIAMETER



SIDE VIEW PUMP/MANIFOLD-AP58580

LOCATION AND ORIENTATION OF
PUMP/MANIFOLD ASSEMBLY WILL
DIFFER DEPENDING UPON O.E.M.

NOTE: INSTALLATION MUST CONFORM TO GOOD SHOP PRACTICES, SAE
STANDARDS, RVIA STANDARDS, AND OTHER APPLICABLE STANDARDS.