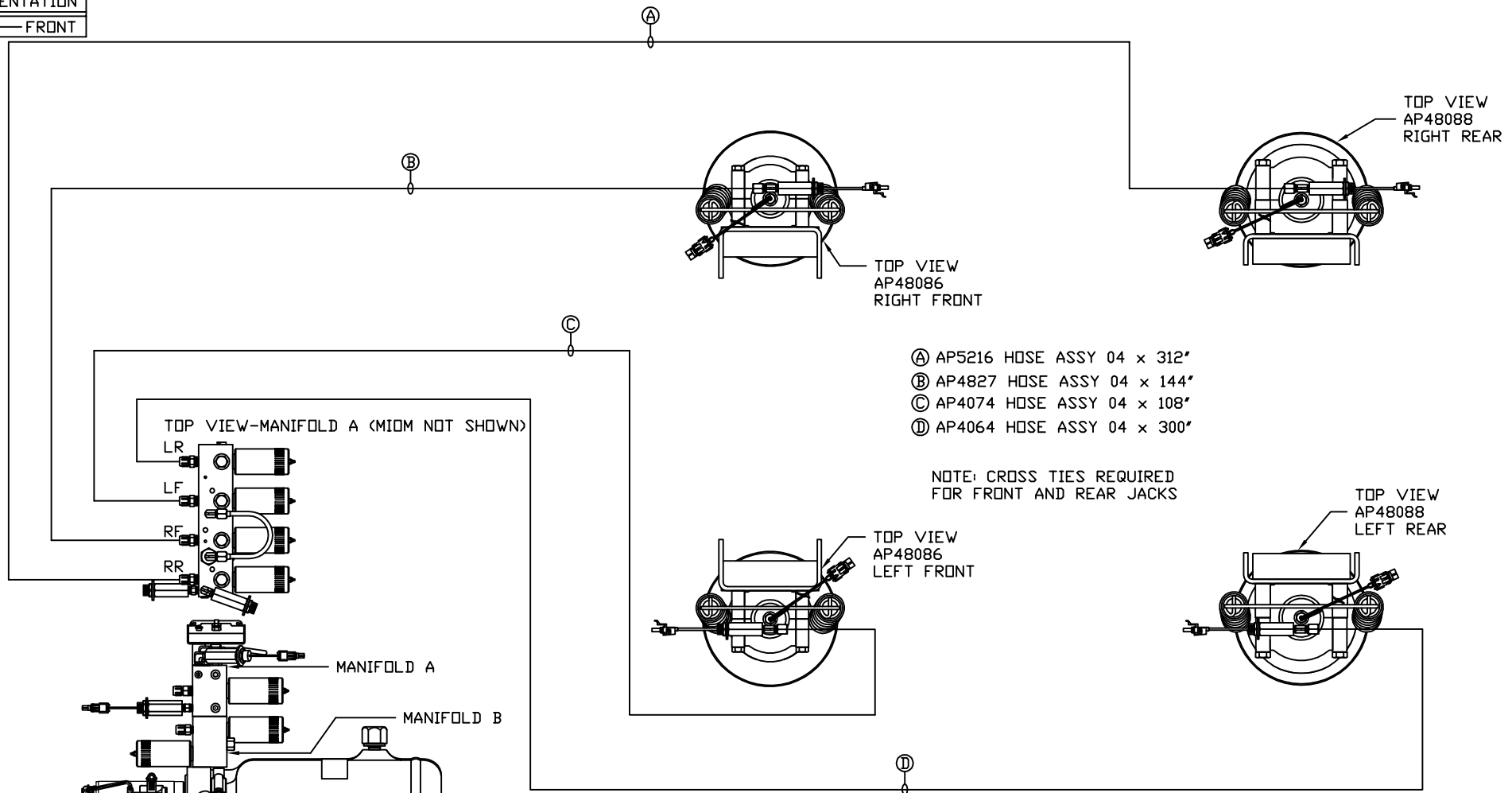
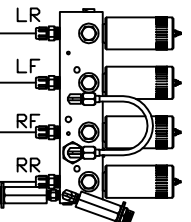


ORIENTATION
← FRONT

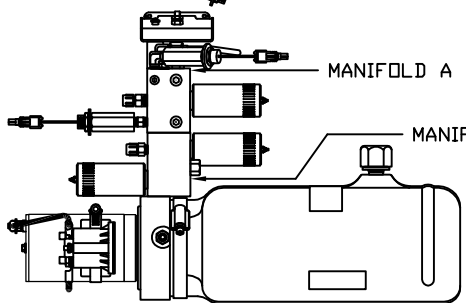


TOP VIEW-MANIFOLD A (MIDM NOT SHOWN)



MANIFOLD A

MANIFOLD B



SIDE VIEW PUMP/MANIFOLD-AP58580

LOCATION AND ORIENTATION OF PUMP/MANIFOLD ASSEMBLY WILL DIFFER DEPENDING UPON O.E.M.

- Ⓐ AP5216 HOSE ASSY 04 x 312'
- Ⓑ AP4827 HOSE ASSY 04 x 144'
- Ⓒ AP4074 HOSE ASSY 04 x 108'
- Ⓓ AP4064 HOSE ASSY 04 x 300'

NOTE: CROSS TIES REQUIRED FOR FRONT AND REAR JACKS

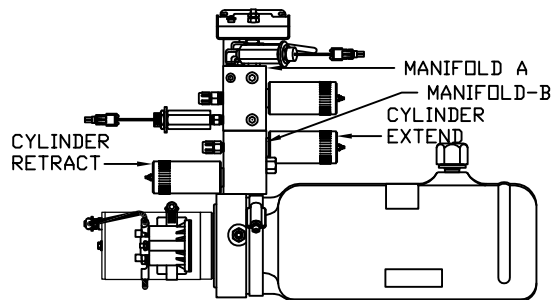
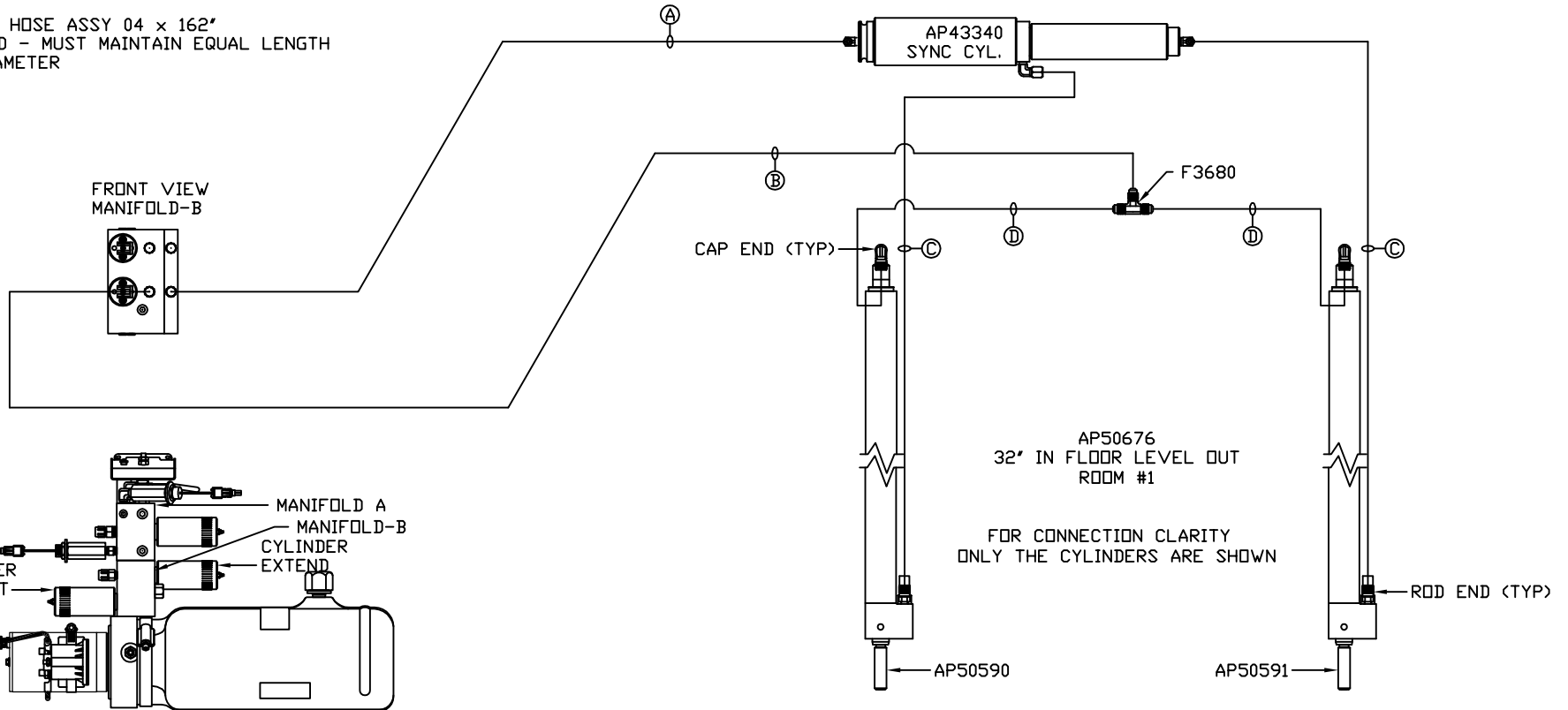
SYNC KIT: AP55041	NO.	DATE	REVISION
PUMP KIT: AP58587	THE INFORMATION DISCLOSED ON THIS DRAWING IS CONFIDENTIAL AND MUST NOT BE DISCLOSED OR USED IN ANY MANNER WHICH WILL BE DETRIMENTAL TO THE HWH CORPORATION		
JACK KIT: AP58588			

HWH		I-80 EXIT 267 SOUTH RT 1 MOSCOW, IOWA 52760	
SCALE 1:6	DATE 14FEB18	DRAWN BY .	
HYD CONN DIAGRAM			
TIFFIN		DRAWING NUMBER MP71144 A/C	

NOTE: INSTALLATION MUST CONFORM TO GOOD SHOP PRACTICES, SAE STANDARDS, RVIA STANDARDS, AND OTHER APPLICABLE STANDARDS.

ORIENTATION
← FRONT

- Ⓐ AP4159 HOSE ASSY 04 × 72'
ROD END - ALWAYS PRESSURIZED
- Ⓑ AP5352 HOSE ASSY 04 × 96'
CAP END
- Ⓒ AP49517 HOSE ASSY 03 × 180'
ROD END - ALWAYS PRESSURIZED - MUST
MAINTAIN EQUAL LENGTH AND DIAMETER
- Ⓓ AP10913 HOSE ASSY 04 × 162'
CAP END - MUST MAINTAIN EQUAL LENGTH
AND DIAMETER



SIDE VIEW PUMP/MANIFOLD-AP58580

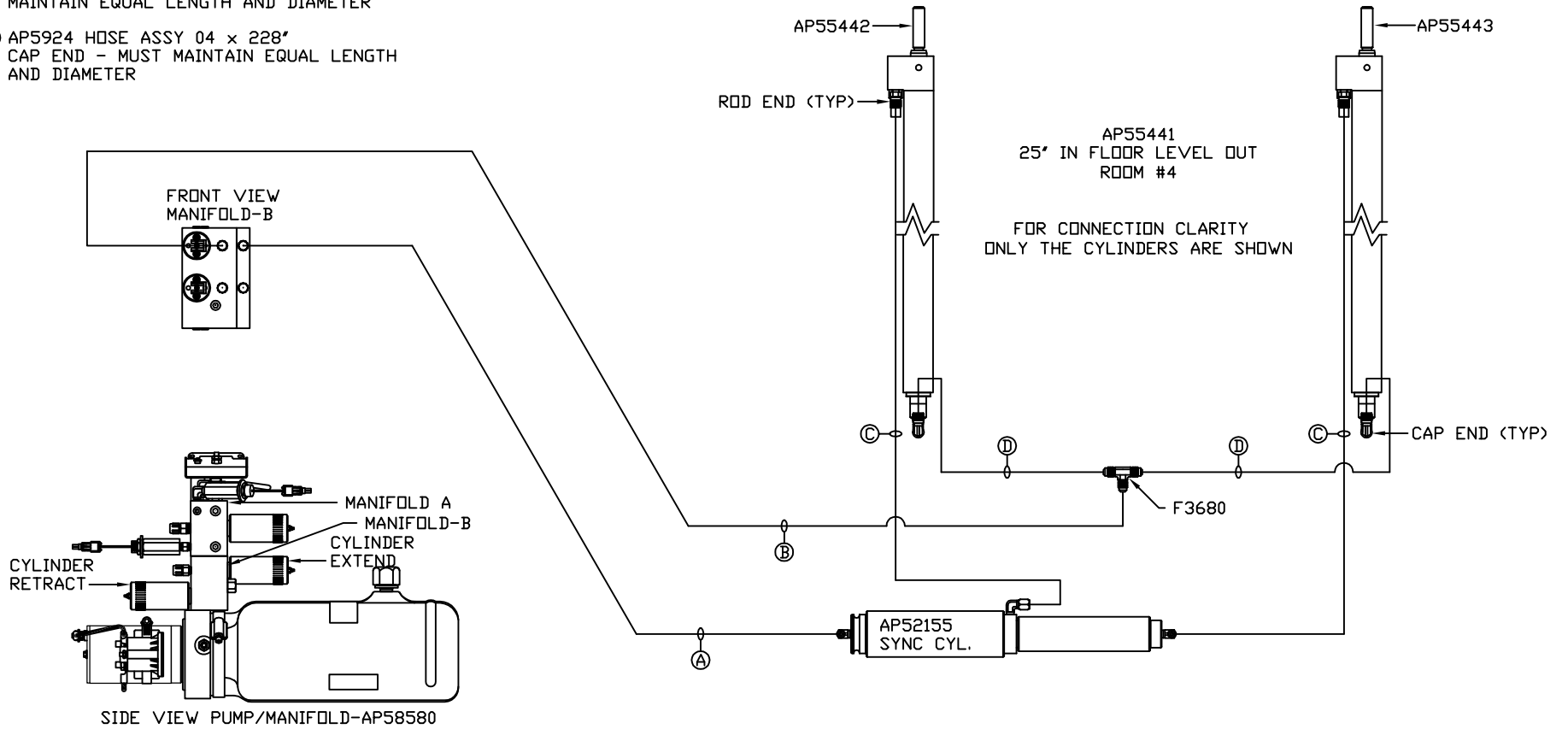
LOCATION AND ORIENTATION OF
PUMP/MANIFOLD ASSEMBLY WILL
DIFFER DEPENDING UPON O.E.M.

NOTE: INSTALLATION MUST CONFORM TO GOOD SHOP PRACTICES, SAE
STANDARDS, RVIA STANDARDS, AND OTHER APPLICABLE STANDARDS.

ORIENTATION

← FRONT

- Ⓐ AP3314 HOSE ASSY 04 x 48'
ROD END - ALWAYS PRESSURIZED
- Ⓑ AP4728 HOSE ASSY 04 x 54'
CAP END
- Ⓒ AP53977 HOSE ASSY 03 x 252'
ROD END - ALWAYS PRESSURIZED - MUST
MAINTAIN EQUAL LENGTH AND DIAMETER
- Ⓓ AP5924 HOSE ASSY 04 x 228'
CAP END - MUST MAINTAIN EQUAL LENGTH
AND DIAMETER



LOCATION AND ORIENTATION OF
PUMP/MANIFOLD ASSEMBLY WILL
DIFFER DEPENDING UPON O.E.M.

NOTE: INSTALLATION MUST CONFORM TO GOOD SHOP PRACTICES, SAE STANDARDS, RVIA STANDARDS, AND OTHER APPLICABLE STANDARDS.