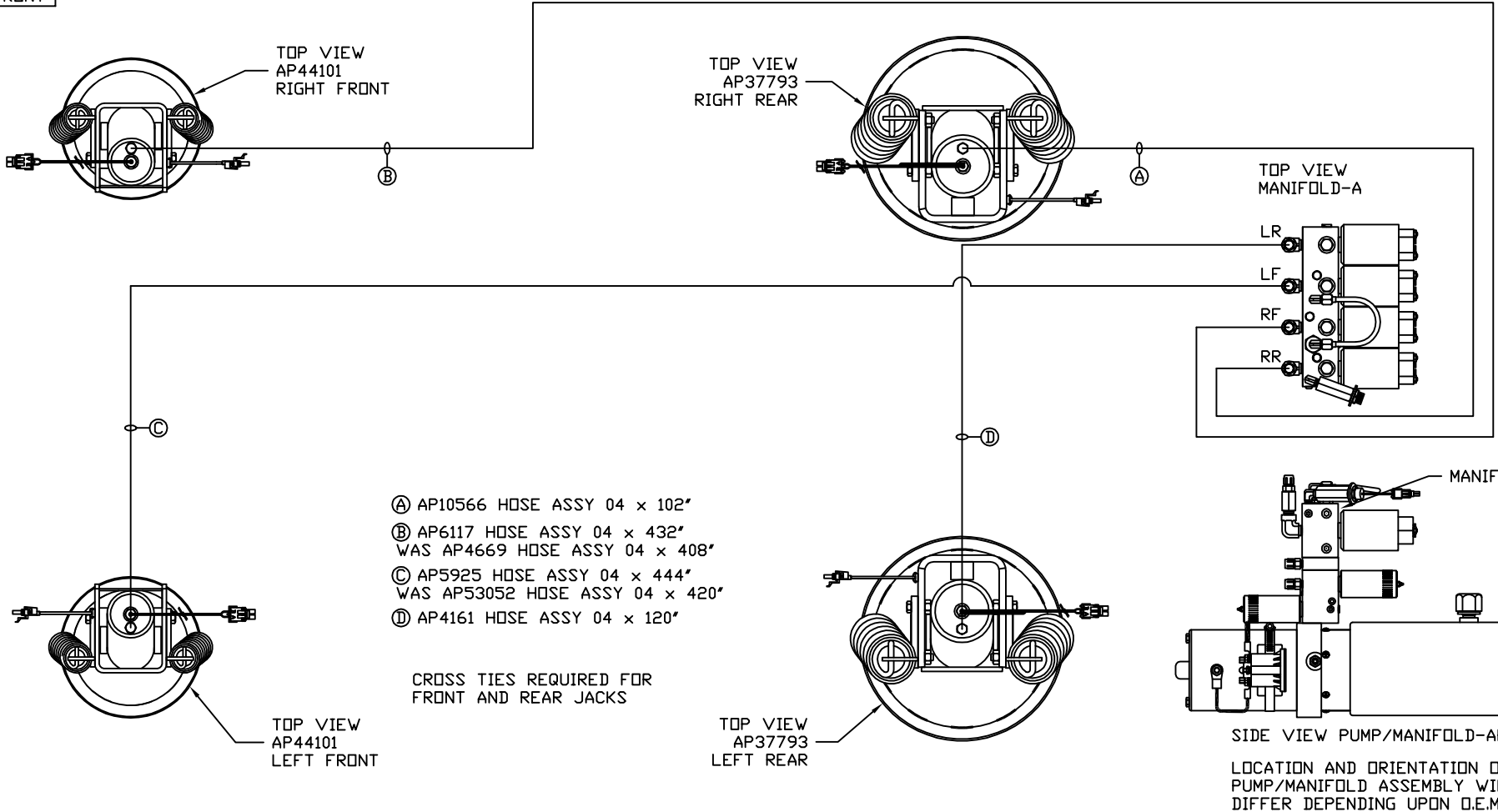


ORIENTATION
← FRONT



- Ⓐ AP10566 HOSE ASSY 04 x 102"
- Ⓑ AP6117 HOSE ASSY 04 x 432"
WAS AP4669 HOSE ASSY 04 x 408"
- Ⓒ AP5925 HOSE ASSY 04 x 444"
WAS AP53052 HOSE ASSY 04 x 420"
- Ⓓ AP4161 HOSE ASSY 04 x 120"

CROSS TIES REQUIRED FOR FRONT AND REAR JACKS

NOTE: INSTALLATION MUST CONFORM TO GOOD SHOP PRACTICES, SAE STANDARDS, RVIA STANDARDS, AND OTHER APPLICABLE STANDARDS.

3	29OCT19	UPDATED HOSES
⚠	19JUL19	ADDED NOTE
⚠	18APR18	UP'D HOSES, ROD / CAP
NO.	DATE	REVISION
SYNC KIT: AP53373		
PUMP KIT: AP51752		
JACK KIT: AP52291		

HWH I-80 EXIT 267 SOUTH
RT 1 MOSCOW, IOWA 52760

SCALE 1:6 DATE 16FEB18 DRAWN BY .

HYD CONN DIAGRAM

TIFFIN

DRAWING NUMBER
MP71159 A/C

THE INFORMATION DISCLOSED ON THIS DRAWING IS CONFIDENTIAL AND MUST NOT BE DISCLOSED OR USED IN ANY MANNER WHICH WILL BE DETRIMENTAL TO THE HWH CORPORATION

ORIENTATION

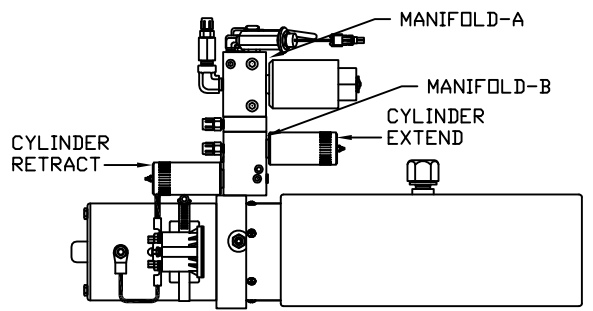
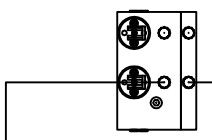
← FRONT

⚠ PRIOR TO SEPT. 2018
PUMP MOUNTED AT
REAR OF COACH

- Ⓐ AP4313 HOSE AP 04 x 396'
- Ⓑ AP4669 HOSE AP 04 X 408'
- Ⓒ AP49438 HOSE ASSY 03 x 192'
- Ⓓ AP5924 HOSE ASSY 04 x 228'

- Ⓐ AP4074 HOSE AP 04 x 108'
ROD END - ALWAYS PRESSURIZED
- Ⓑ AP4161 HOSE AP 04 X 120'
CAP END
- Ⓒ AP49517 HOSE ASSY 03 x 180'
ROD END - ALWAYS PRESSURIZED - MUST
MAINTAIN EQUAL LENGTH AND DIAMETER
- Ⓓ AP5965 HOSE ASSY 04 x 180'
CAP END - MUST MAINTAIN EQUAL LENGTH
AND DIAMETER

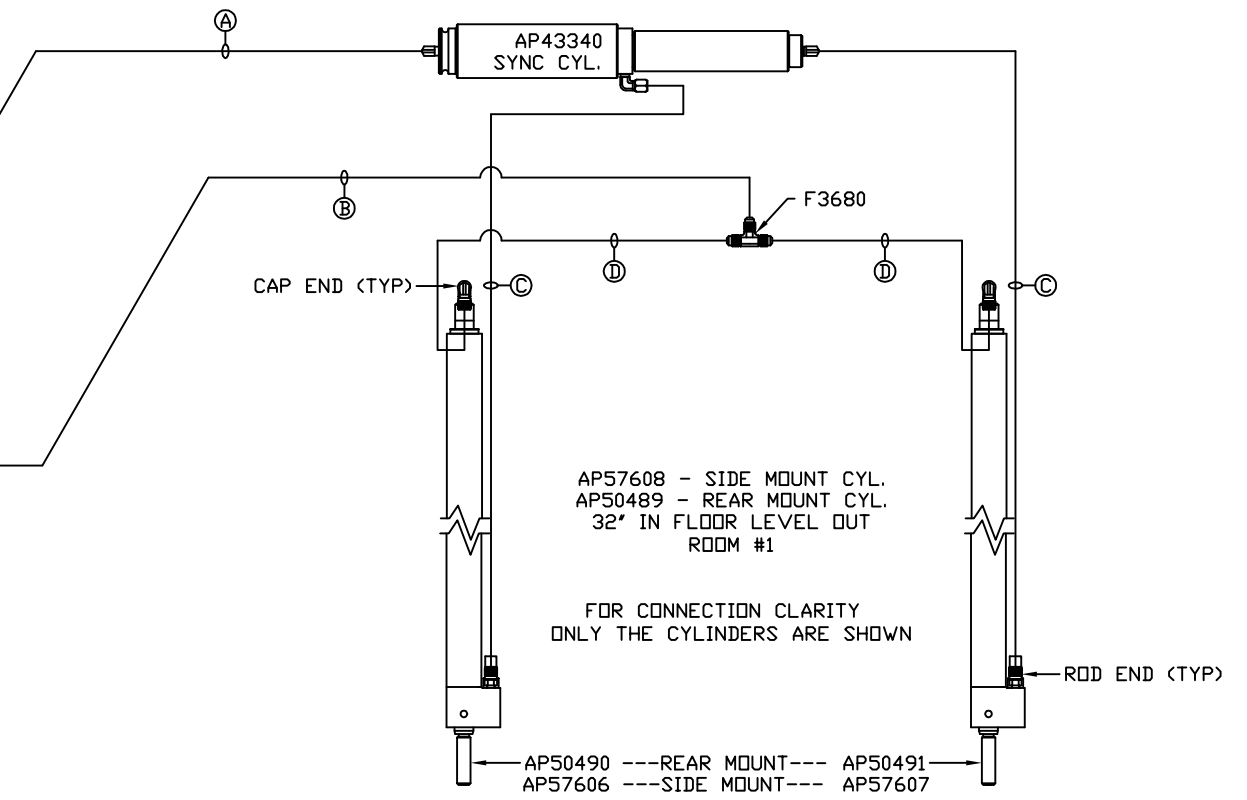
FRONT VIEW
MANIFOLD-B



SIDE VIEW PUMP/MANIFOLD-AP54806

LOCATION AND ORIENTATION OF
PUMP/MANIFOLD ASSEMBLY WILL
DIFFER DEPENDING UPON O.E.M.

NOTE: INSTALLATION MUST CONFORM TO GOOD SHOP PRACTICES, SAE
STANDARDS, RVIA STANDARDS, AND OTHER APPLICABLE STANDARDS.



Ⓐ AP5352 HOSE ASSY 04 x 96'
ROD END - ALWAYS PRESSURIZED

Ⓑ AP10566 HOSE ASSY 04 x 102'
CAP END

Ⓒ AP51589 HOSE ASSY 03 x 228'
WAS AP50847 HOSE ASSY 03 x 204'
ROD END - ALWAYS PRESSURIZED - MUST
MAINTAIN EQUAL LENGTH AND DIAMETER

Ⓓ AP5924 HOSE ASSY 04 x 228'
CAP END - MUST MAINTAIN EQUAL LENGTH
AND DIAMETER

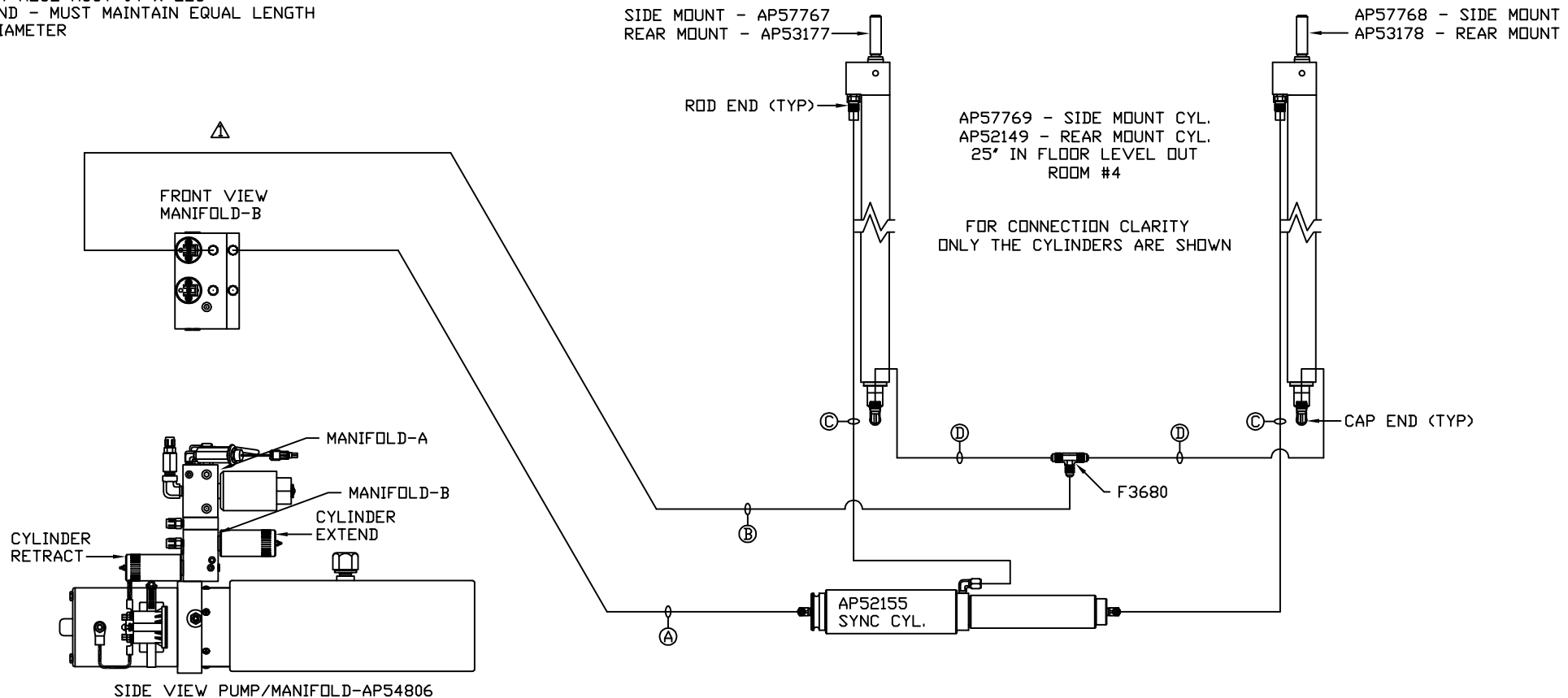
⚠ PRIOR TO SEPT. 2018
PUMP MOUNTED AT
REAR OF COACH

Ⓐ AP4312 HOSE ASSY 04 x 378'

Ⓑ AP4164 HOSE ASSY 04 x 384'

Ⓒ AP49247 HOSE ASSY 03 x 240'

Ⓓ AP4061 HOSE ASSY 04 x 216'



LOCATION AND ORIENTATION OF
PUMP/MANIFOLD ASSEMBLY WILL
DIFFER DEPENDING UPON O.E.M.

NOTE: INSTALLATION MUST CONFORM TO GOOD SHOP PRACTICES, SAE
STANDARDS, RVIA STANDARDS, AND OTHER APPLICABLE STANDARDS.

MP71159 C/C
29OCT19