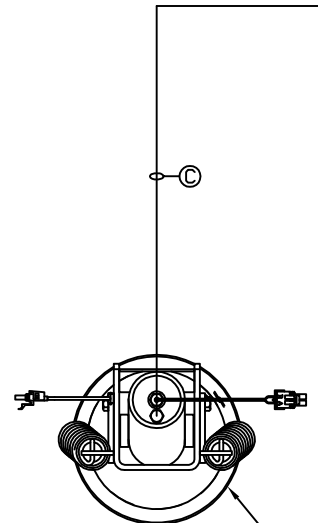
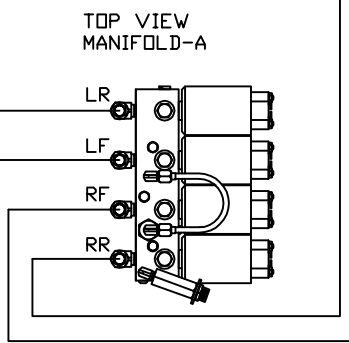
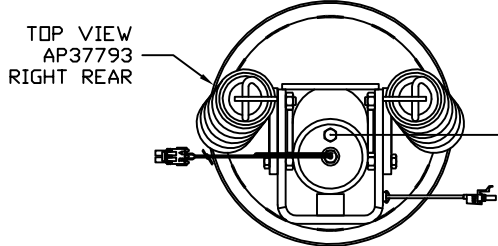
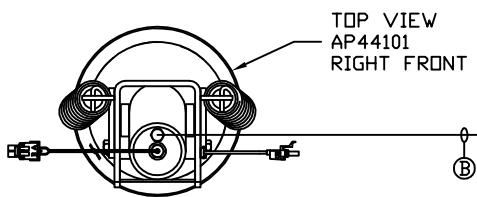
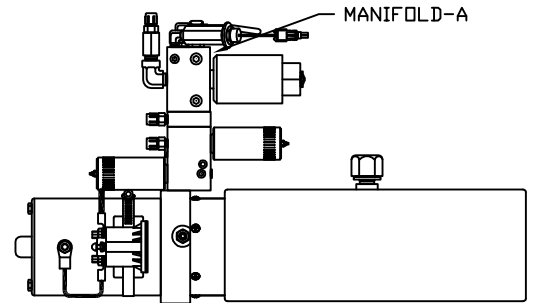
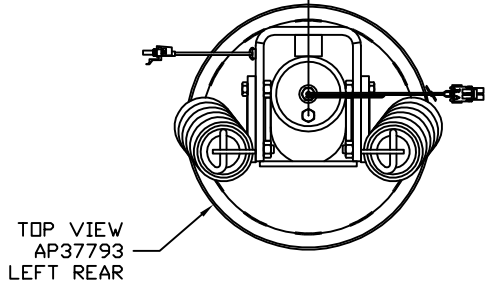


ORIENTATION  
← FRONT



- Ⓐ AP10566 HOSE ASSY 04 x 102'
- Ⓑ AP4669 HOSE ASSY 04 x 408'
- Ⓒ AP53052 HOSE ASSY 04 x 420'
- Ⓓ AP4161 HOSE ASSY 04 x 120'

CROSS TIES REQUIRED FOR  
FRONT AND REAR JACKS



LOCATION AND ORIENTATION OF  
PUMP/MANIFOLD ASSEMBLY WILL  
DIFFER DEPENDING UPON O.E.M.

NOTE: INSTALLATION MUST CONFORM TO GOOD SHOP PRACTICES, SAE STANDARDS, RVIA STANDARDS, AND OTHER APPLICABLE STANDARDS.

SYNC KIT: AP53375	NO.	DATE	REVISION
PUMP KIT: AP51752	⚠	18APR18	UPDATED HOSES
JACK KIT: AP52291			

HWH			I-80 EXIT 267 SOUTH RT 1 MOSCOW, IOWA 52760		
SCALE 1:6	DATE 16FEB18	DRAWN BY .			
HYD CONN DIAGRAM					
TIFFIN				DRAWING NUMBER MP71160 A/C	



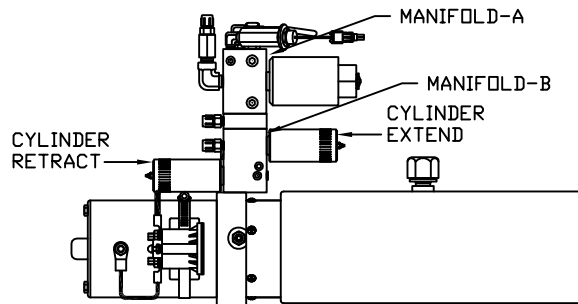
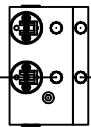
Ⓐ AP4313 HOSE AP 04 x 396"  
 WAS AP4163 HOSE ASSY 04 x 360"  
 ROD END - ALWAYS PRESSURIZED

Ⓑ AP4669 HOSE AP 04 X 408"  
 WAS AP4391 HOSE ASSY 04 x 372"  
 CAP END

Ⓒ AP49438 HOSE ASSY 03 x 192"  
 ROD END - ALWAYS PRESSURIZED - MUST  
 MAINTAIN EQUAL LENGTH AND DIAMETER

Ⓓ AP5924 HOSE ASSY 04 x 228"  
 CAP END - MUST MAINTAIN EQUAL LENGTH  
 AND DIAMETER

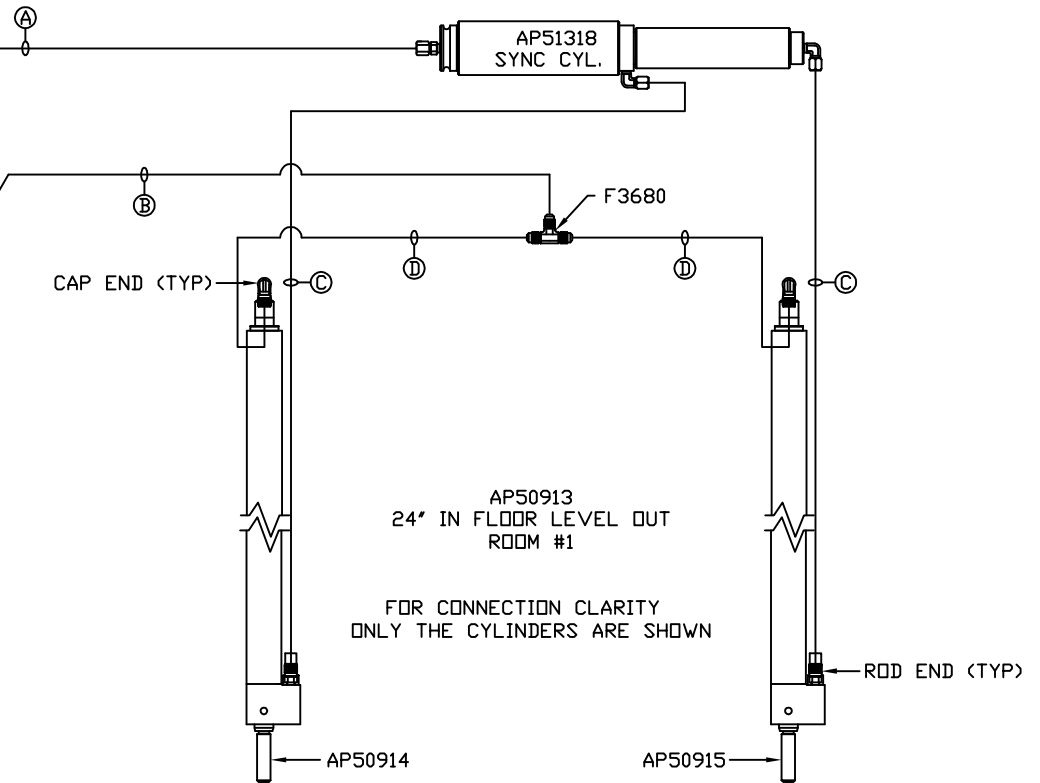
FRONT VIEW  
 MANIFOLD-B



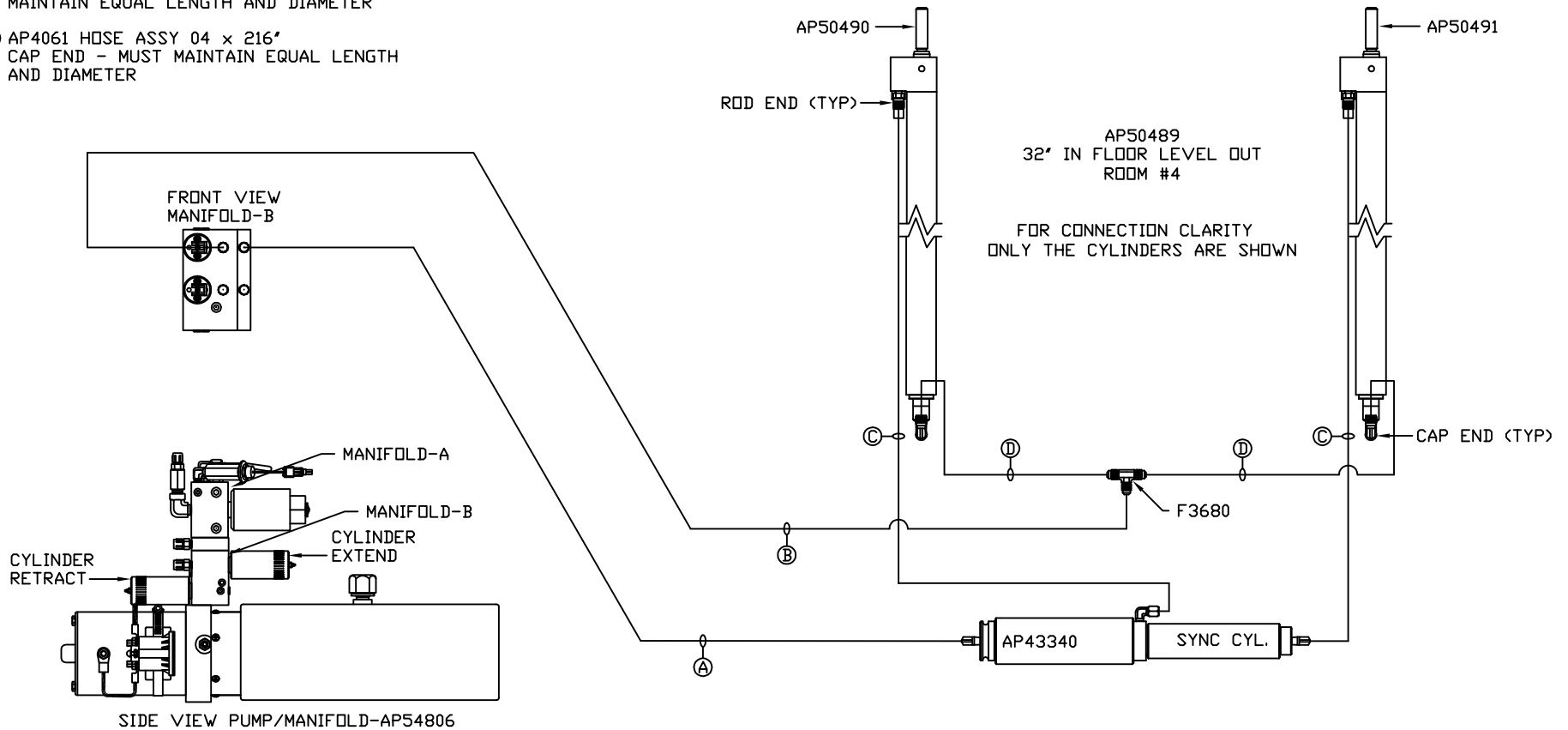
SIDE VIEW PUMP/MANIFOLD-AP54806

LOCATION AND ORIENTATION OF  
 PUMP/MANIFOLD ASSEMBLY WILL  
 DIFFER DEPENDING UPON O.E.M.

NOTE: INSTALLATION MUST CONFORM TO GOOD SHOP PRACTICES, SAE  
 STANDARDS, RVIA STANDARDS, AND OTHER APPLICABLE STANDARDS.



- Ⓐ AP4312 HOSE ASSY 04 x 378'  
ROD END - ALWAYS PRESSURIZED
- Ⓑ AP4164 HOSE ASSY 04 x 384'  
CAP END
- Ⓒ AP49517 HOSE ASSY 03 x 180'  
ROD END - ALWAYS PRESSURIZED - MUST  
MAINTAIN EQUAL LENGTH AND DIAMETER
- Ⓓ AP4061 HOSE ASSY 04 x 216'  
CAP END - MUST MAINTAIN EQUAL LENGTH  
AND DIAMETER



SIDE VIEW PUMP/MANIFOLD-AP54806

LOCATION AND ORIENTATION OF  
PUMP/MANIFOLD ASSEMBLY WILL  
DIFFER DEPENDING UPON O.E.M.

NOTE: INSTALLATION MUST CONFORM TO GOOD SHOP PRACTICES, SAE  
STANDARDS, RVIA STANDARDS, AND OTHER APPLICABLE STANDARDS.

MP71160 C/C  
16FEB18