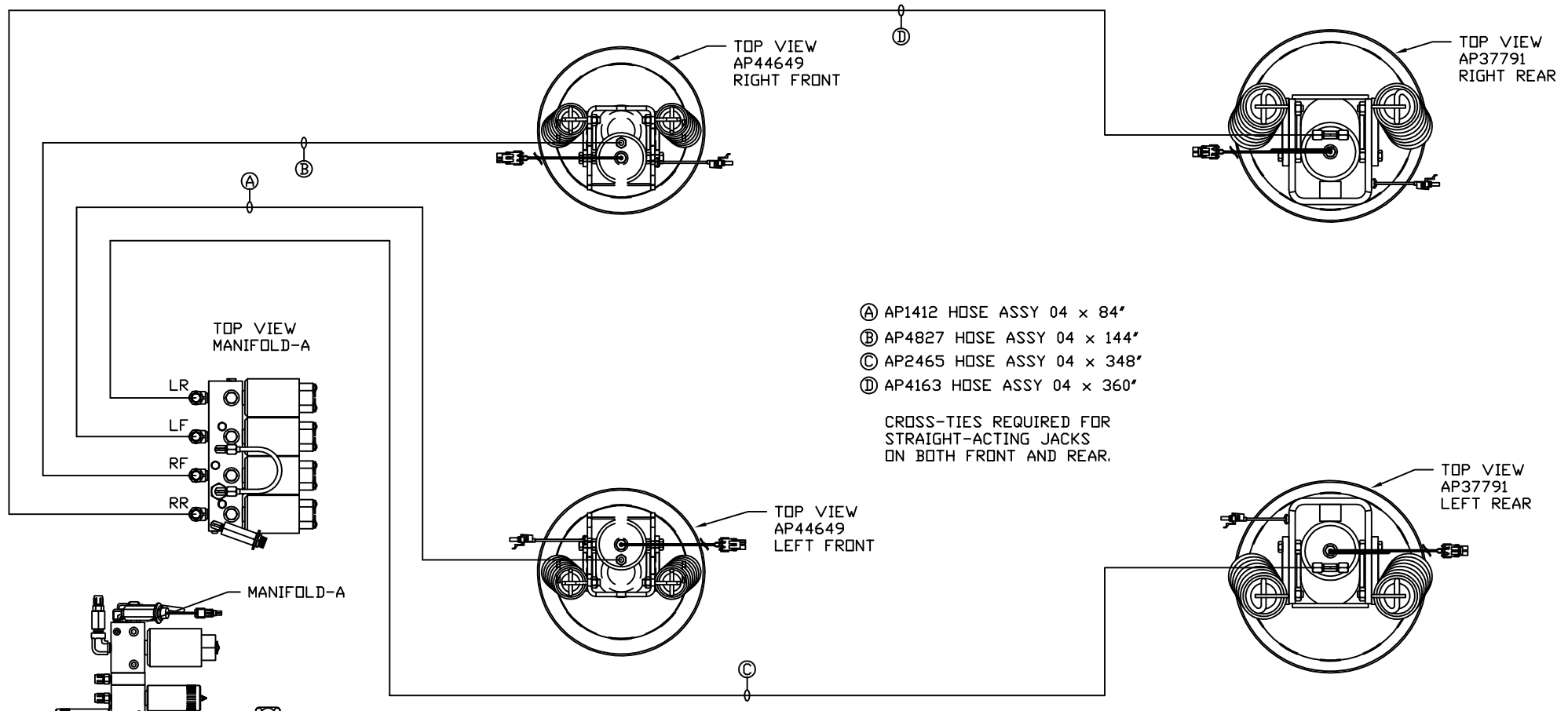
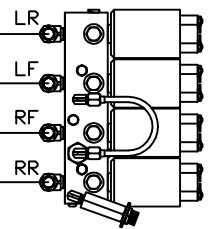


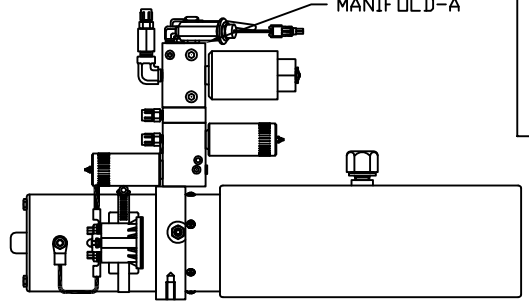
ORIENTATION  
← FRONT



TOP VIEW  
MANIFOLD-A



MANIFOLD-A



SIDE VIEW PUMP/MANIFOLD-AP54806

LOCATION AND ORIENTATION OF  
PUMP/MANIFOLD ASSEMBLY WILL  
DIFFER DEPENDING UPON O.E.M.

- Ⓐ AP1412 HOSE ASSY 04 x 84"
- Ⓑ AP4827 HOSE ASSY 04 x 144"
- Ⓒ AP2465 HOSE ASSY 04 x 348"
- Ⓓ AP4163 HOSE ASSY 04 x 360"

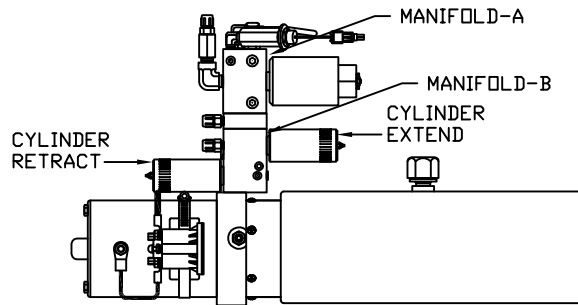
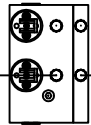
CROSS-TIES REQUIRED FOR  
STRAIGHT-ACTING JACKS  
ON BOTH FRONT AND REAR.

NOTE: INSTALLATION MUST CONFORM TO GOOD SHOP PRACTICES, SAE  
STANDARDS, RVIA STANDARDS, AND OTHER APPLICABLE STANDARDS.

|  |  |     |  |         |  |          |  |  |              |
|--|--|-----|--|---------|--|----------|--|--|--------------|
| SYNC KIT: AP53377  |  | NO. |  | DATE    |  | REVISION |  | HWH I-80 EXIT 267 SOUTH<br>RT 1 MOSCOW, IOWA 52760 |              |
| PUMP KIT: AP51752  |  | ⚠   |  | 18APR18 |  | WAS 32"  |  | SCALE 1:6  | DATE 16FEB18 |
| JACK KIT: AP52289  |  |     |  |         |  |          |  | DRAWN BY .   |              |
| THE INFORMATION DISCLOSED ON THIS DRAWING IS CONFIDENTIAL AND MUST NOT BE DISCLOSED OR USED IN ANY MANNER WHICH WILL BE DETRIMENTAL TO THE HWH CORPORATION |  |     |  |         |  |          |  | HYD CONN DIAGRAM                                   |              |
|  |  |     |  |         |  |          |  | TIFFIN   |              |
|  |  |     |  |         |  |          |  | DRAWING NUMBER<br>MP71165 A/C                      |              |

- Ⓐ AP4074 HOSE ASSY 04 × 108"  
ROD END - ALWAYS PRESSURIZED
- Ⓑ AP4161 HOSE ASSY 04 × 120"  
CAP END
- Ⓒ AP49517 HOSE ASSY 03 × 180"  
ROD END - ALWAYS PRESSURIZED - MUST  
MAINTAIN EQUAL LENGTH AND DIAMETER
- Ⓓ AP5965 HOSE ASSY 04 × 180"  
CAP END - MUST MAINTAIN EQUAL LENGTH  
AND DIAMETER

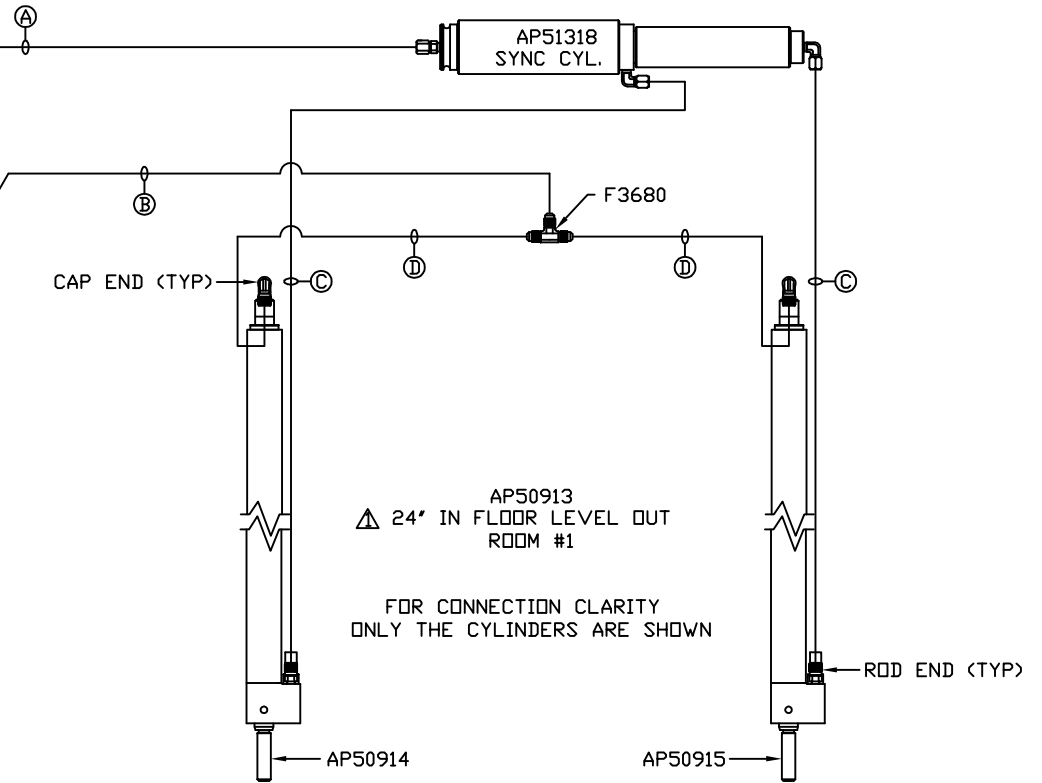
FRONT VIEW  
MANIFOLD-B



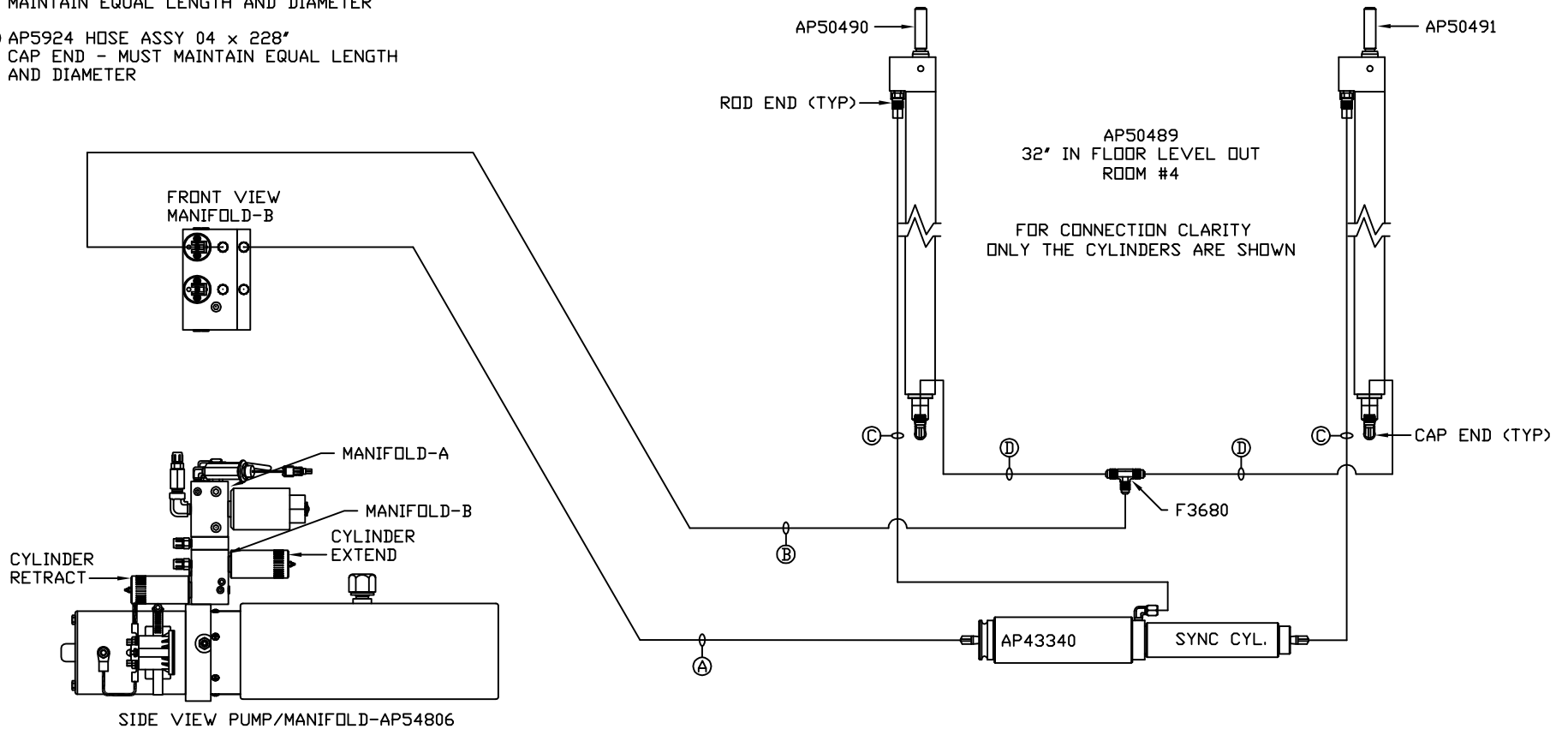
SIDE VIEW PUMP/MANIFOLD-AP54806

LOCATION AND ORIENTATION OF  
PUMP/MANIFOLD ASSEMBLY WILL  
DIFFER DEPENDING UPON O.E.M.

NOTE: INSTALLATION MUST CONFORM TO GOOD SHOP PRACTICES, SAE  
STANDARDS, RVIA STANDARDS, AND OTHER APPLICABLE STANDARDS.



- Ⓐ AP5352 HOSE ASSY 04 x 96'  
ROD END - ALWAYS PRESSURIZED
- Ⓑ AP10566 HOSE ASSY 04 x 102'  
CAP END
- Ⓒ AP50847 HOSE ASSY 03 x 204'  
ROD END - ALWAYS PRESSURIZED - MUST  
MAINTAIN EQUAL LENGTH AND DIAMETER
- Ⓓ AP5924 HOSE ASSY 04 x 228'  
CAP END - MUST MAINTAIN EQUAL LENGTH  
AND DIAMETER



LOCATION AND ORIENTATION OF  
PUMP/MANIFOLD ASSEMBLY WILL  
DIFFER DEPENDING UPON O.E.M.

NOTE: INSTALLATION MUST CONFORM TO GOOD SHOP PRACTICES, SAE  
STANDARDS, RVIA STANDARDS, AND OTHER APPLICABLE STANDARDS.

MP71165 C/C  
16FEB18