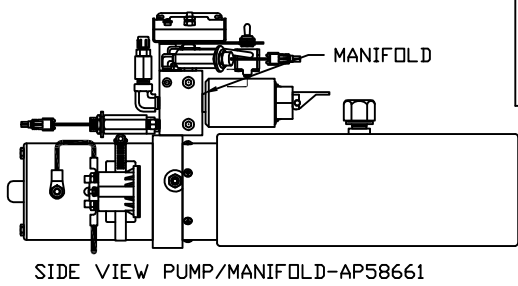
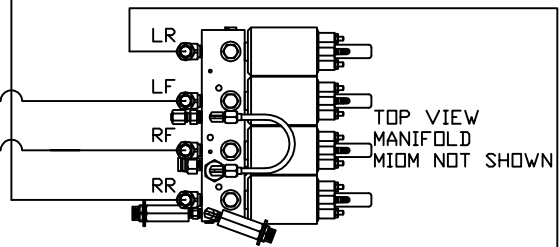
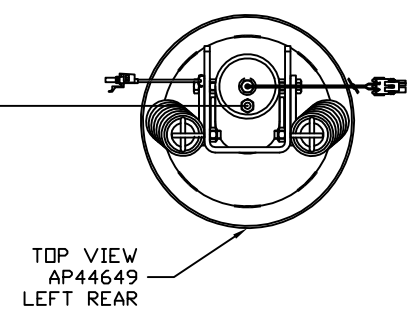
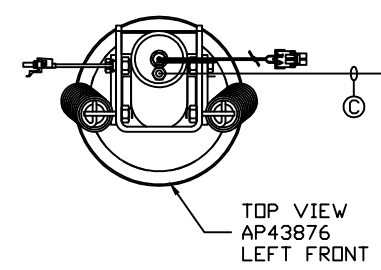
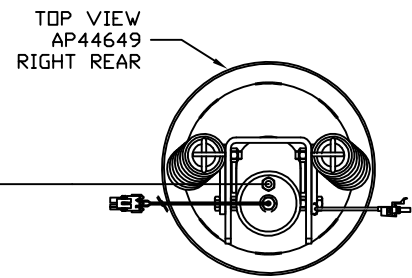
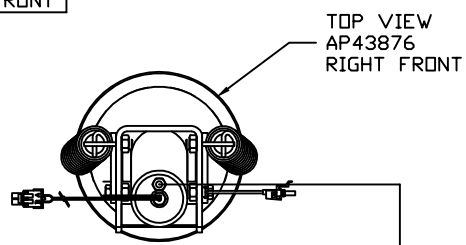


ORIENTATION
← FRONT



- Ⓐ AP4162 HOSE ASSY 04 x 192'
- Ⓑ AP5924 HOSE ASSY 04 x 228'
- Ⓒ AP5965 HOSE ASSY 04 x 180'
- Ⓓ AP4061 HOSE ASSY 04' x 216'

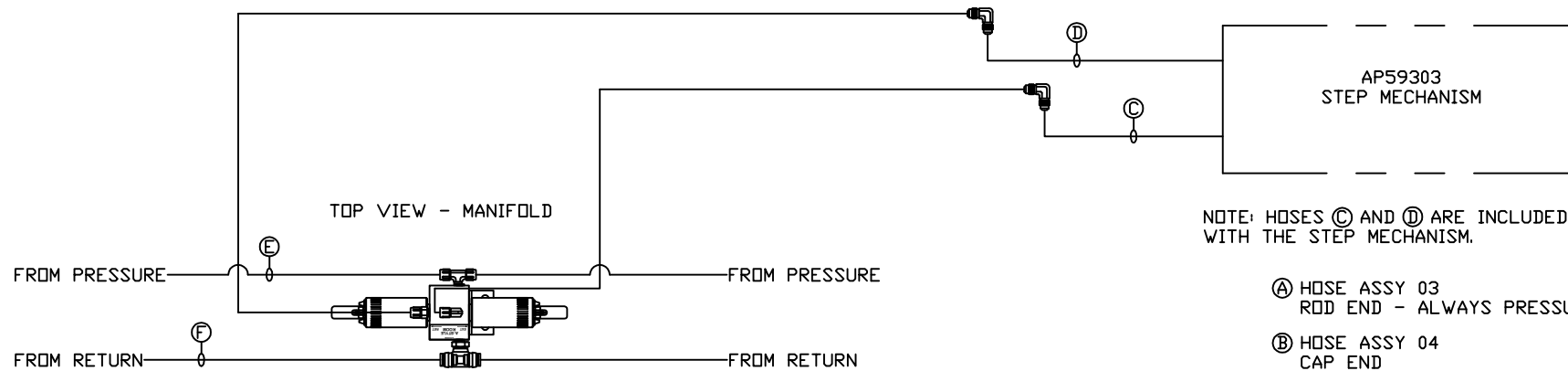
CROSS TIES REQUIRED FOR
FRONT AND REAR JACKS

NOTE: INSTALLATION MUST CONFORM TO GOOD SHOP PRACTICES, SAE STANDARDS, RVIA STANDARDS, AND OTHER APPLICABLE STANDARDS.

LEVELING SYSTEM: AP59394

		HWH		I-80 EXIT 267 SOUTH RT 1 MOSCOW, IOWA 52760	
		SCALE 1:6	DATE 12SEP18	DRAWN BY .	
		HYD CONN DIAGRAM			
NO.	DATE	REVISION			
		ITB		DRAWING NUMBER MP71196 A/C	
<small>THE INFORMATION DISCLOSED ON THIS DRAWING IS CONFIDENTIAL AND MUST NOT BE DISCLOSED OR USED IN ANY MANNER WHICH WILL BE DETRIMENTAL TO THE HWH CORPORATION</small>					

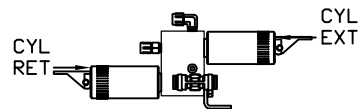
ORIENTATION
 ← FRONT



TOP VIEW - MANIFOLD

NOTE: HOSES C AND D ARE INCLUDED WITH THE STEP MECHANISM.

- Ⓐ HOSE ASSY 03
ROD END - ALWAYS PRESSURIZED
- Ⓑ HOSE ASSY 04
CAP END
- Ⓒ AP51480 HOSE ASSY 03 x 66"
ROD END - ALWAYS PRESSURIZED
- Ⓓ AP50909 HOSE ASSY 03 x 72"
CAP END
- Ⓔ HOSE ASSY 04
PRESSURE
- Ⓕ 3/8" NYLON TUBING
RETURN

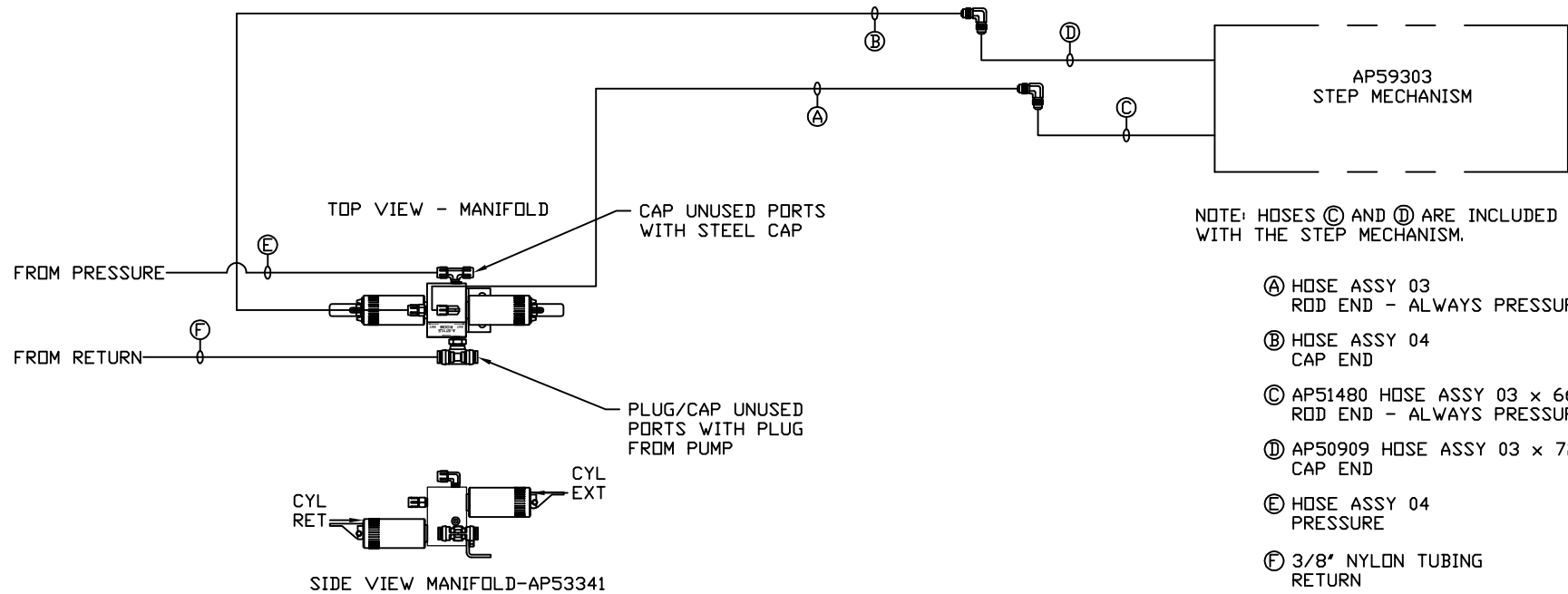


SIDE VIEW MANIFOLD-AP53341

NOTE: INSTALLATION MUST CONFORM TO GOOD SHOP PRACTICES, SAE STANDARDS, RVIA STANDARDS, AND OTHER APPLICABLE STANDARDS.

MP71196 B/C
 12SEP18

ORIENTATION
 ← FRONT



NOTE: INSTALLATION MUST CONFORM TO GOOD SHOP PRACTICES, SAE STANDARDS, RVIA STANDARDS, AND OTHER APPLICABLE STANDARDS.

MP71196 C/C
 12SEP18