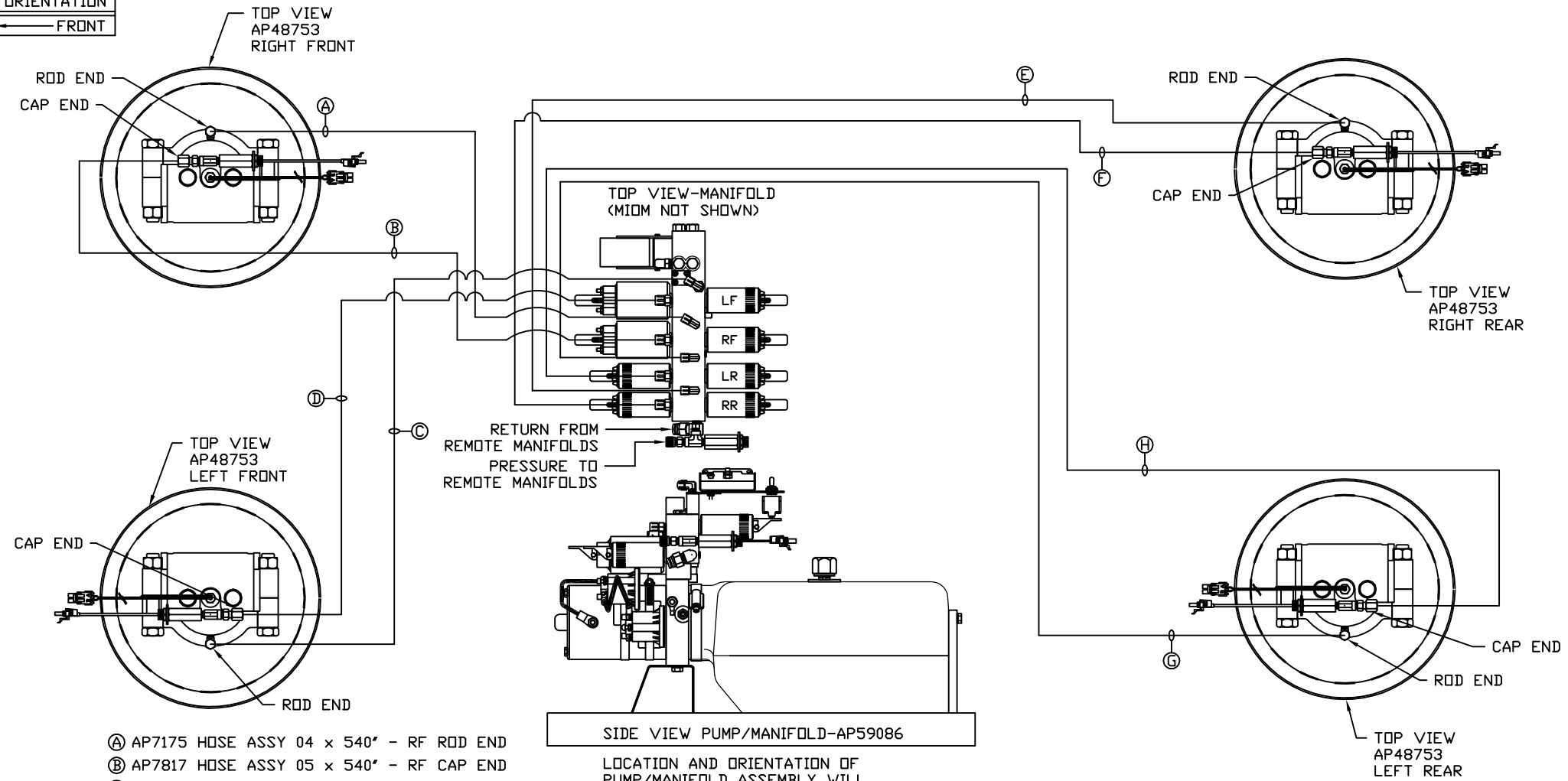


ORIENTATION
← FRONT



- Ⓐ AP7175 HOSE ASSY 04 x 540' - RF ROD END
- Ⓑ AP7817 HOSE ASSY 05 x 540' - RF CAP END
- Ⓒ AP29767 HOSE ASSY 04 x 600' - LF ROD END
- Ⓓ AP54020 HOSE ASSY 05 x 600' - LF CAP END
- Ⓔ AP4162 HOSE ASSY 04 x 192' - RR ROD END
- Ⓛ AP22313 HOSE ASSY 05 x 192' - RR CAP END
- Ⓜ AP4827 HOSE ASSY 04 x 144' - LR ROD END
- Ⓨ AP8382 HOSE ASSY 05 x 144' - LR CAP END

NOTE: INSTALLATION MUST CONFORM TO GOOD SHOP PRACTICES, SAE STANDARDS, RVIA STANDARDS, AND OTHER APPLICABLE STANDARDS.

LEVELING SYSTEM: AP59657

NO.	DATE	REVISION

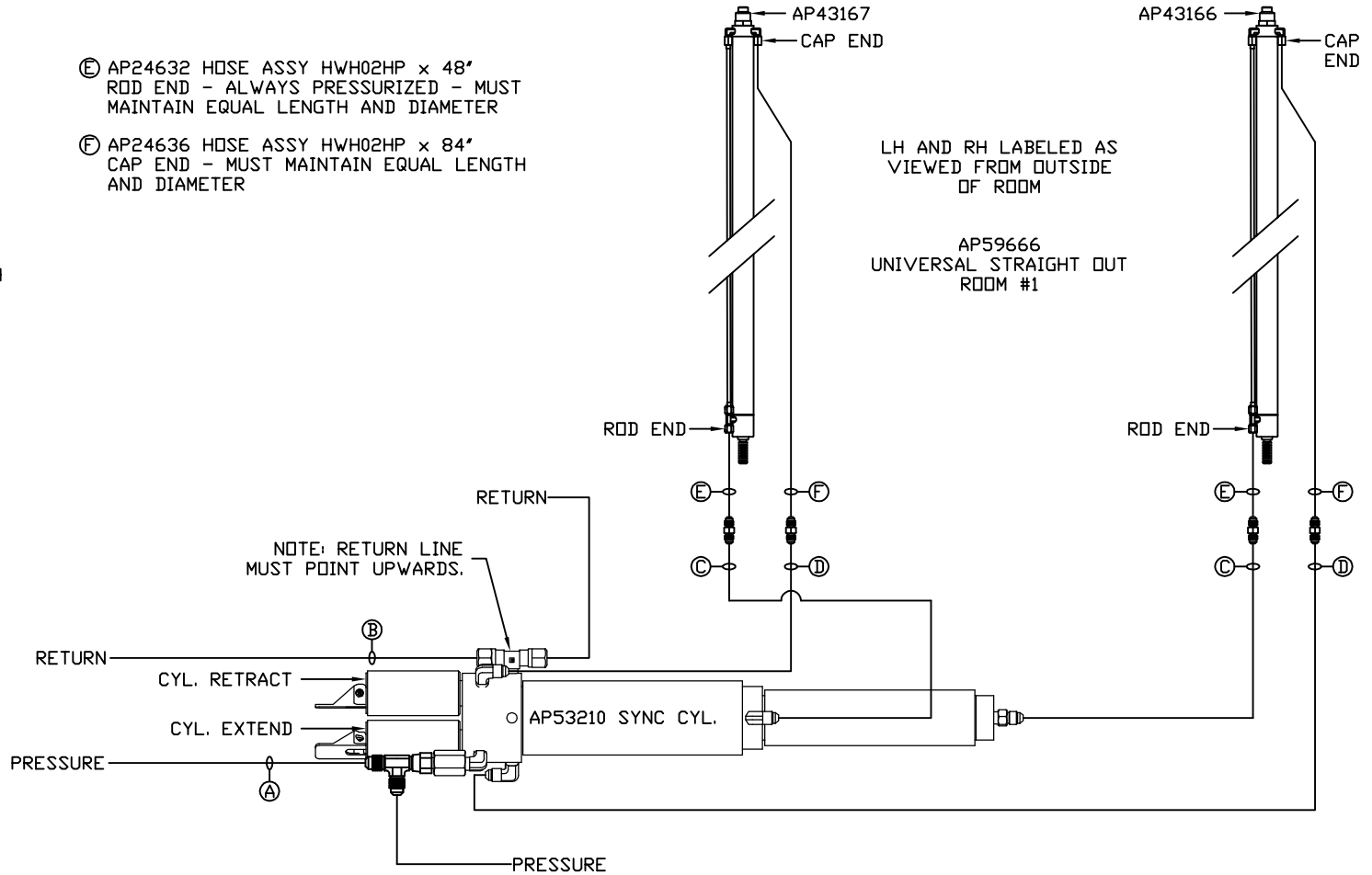
HWH		I-80 EXIT 267 SOUTH RT 1 MOSCOW, IOWA 52760	
SCALE 1:6	DATE 11MAR19	DRAWN BY .	
HYD CONN DIAGRAM			
TRIVAN			DRAWING NUMBER MP71211 A/C

THE INFORMATION DISCLOSED ON THIS DRAWING IS CONFIDENTIAL AND MUST NOT BE DISCLOSED OR USED IN ANY MANNER WHICH WILL BE DETRIMENTAL TO THE HWH CORPORATION

NOTE: HOSES (E) AND (F) ARE INCLUDED WITH THE ROOM EXTENSION MECHANISM

- (A) AP49248 HOSE ASSY 04 x 288" PRESSURE
- (B) P57027 TUBING NYLON 3/8" x 288" RETURN
- (C) AP49245 HOSE ASSY 03 x 120" ROD END - ALWAYS PRESSURIZED - MUST MAINTAIN EQUAL LENGTH AND DIAMETER
- (D) AP4161 HOSE ASSY 04 x 120" CAP END - MUST MAINTAIN EQUAL LENGTH AND DIAMETER

- (E) AP24632 HOSE ASSY HWH02HP x 48" ROD END - ALWAYS PRESSURIZED - MUST MAINTAIN EQUAL LENGTH AND DIAMETER
- (F) AP24636 HOSE ASSY HWH02HP x 84" CAP END - MUST MAINTAIN EQUAL LENGTH AND DIAMETER



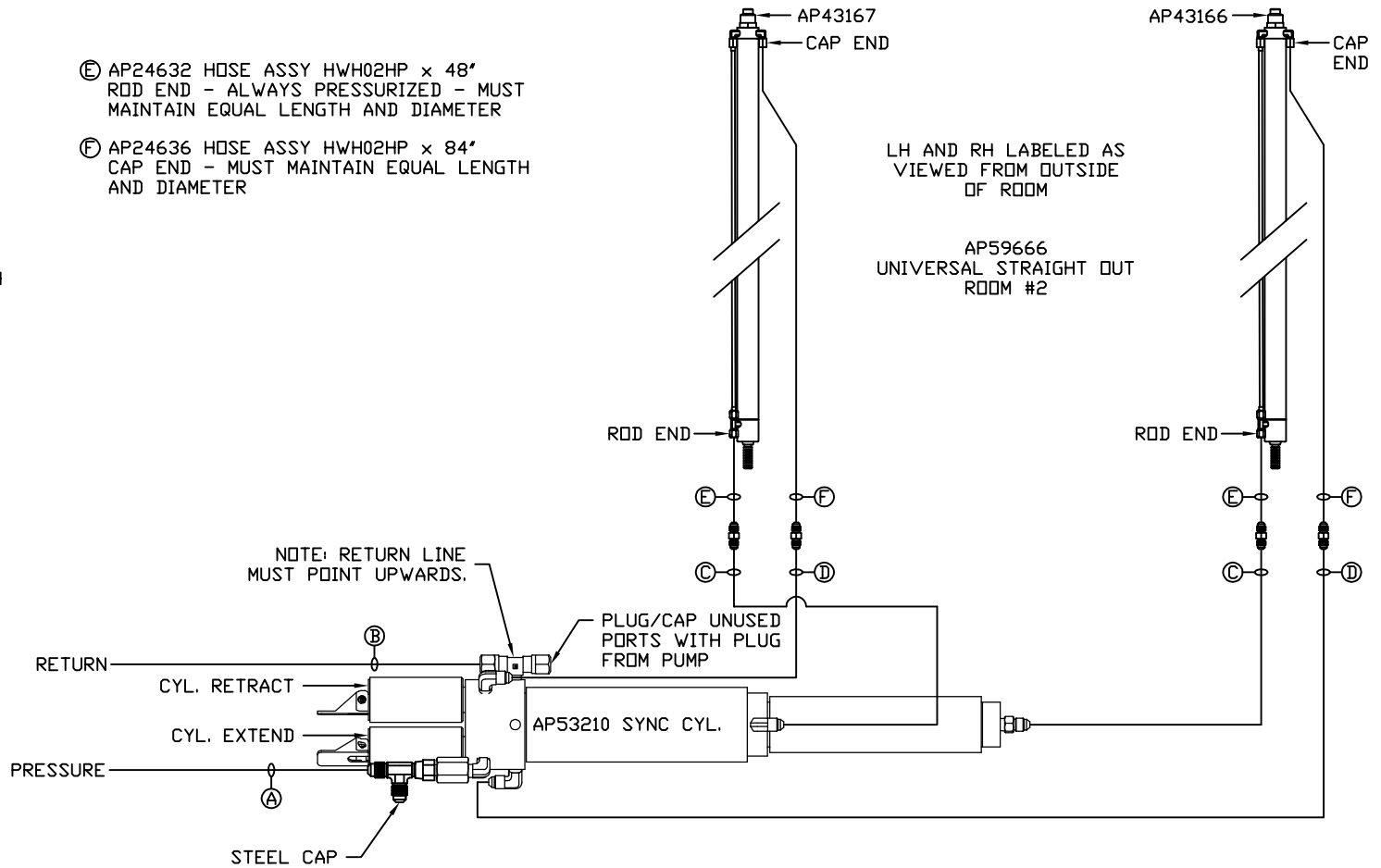
NOTE: INSTALLATION MUST CONFORM TO GOOD SHOP PRACTICES, SAE STANDARDS, RVIA STANDARDS, AND OTHER APPLICABLE STANDARDS.

MP71211 B/C
11MAR19

NOTE: HOSES ⑤ AND ⑥ ARE INCLUDED WITH THE ROOM EXTENSION MECHANISM

- ① AP6115 HOSE ASSY 04 x 168" PRESSURE
- ② P5145 TUBING NYLON 3/8" x 180" RETURN
- ③ AP49245 HOSE ASSY 03 x 120" ROD END - ALWAYS PRESSURIZED - MUST MAINTAIN EQUAL LENGTH AND DIAMETER
- ④ AP4161 HOSE ASSY 04 x 120" CAP END - MUST MAINTAIN EQUAL LENGTH AND DIAMETER

- ⑤ AP24632 HOSE ASSY HWH02HP x 48" ROD END - ALWAYS PRESSURIZED - MUST MAINTAIN EQUAL LENGTH AND DIAMETER
- ⑥ AP24636 HOSE ASSY HWH02HP x 84" CAP END - MUST MAINTAIN EQUAL LENGTH AND DIAMETER



NOTE: INSTALLATION MUST CONFORM TO GOOD SHOP PRACTICES, SAE STANDARDS, RVIA STANDARDS, AND OTHER APPLICABLE STANDARDS.

MP71211 C/C
11MAR19