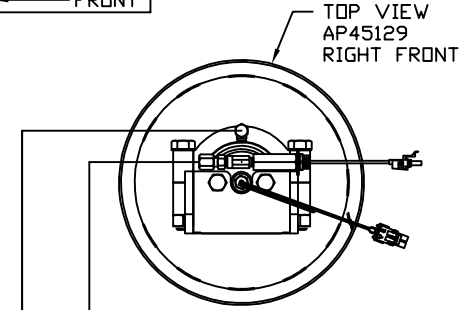
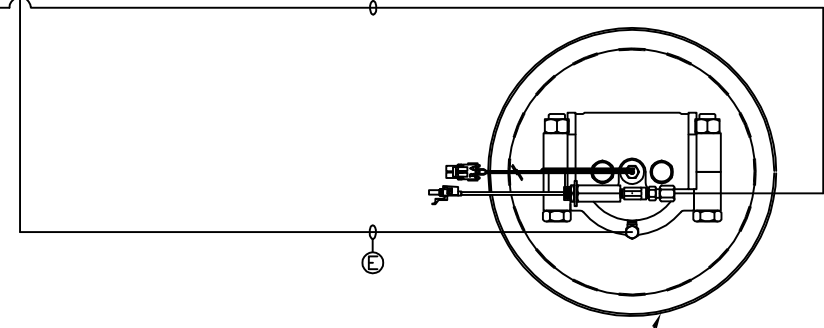
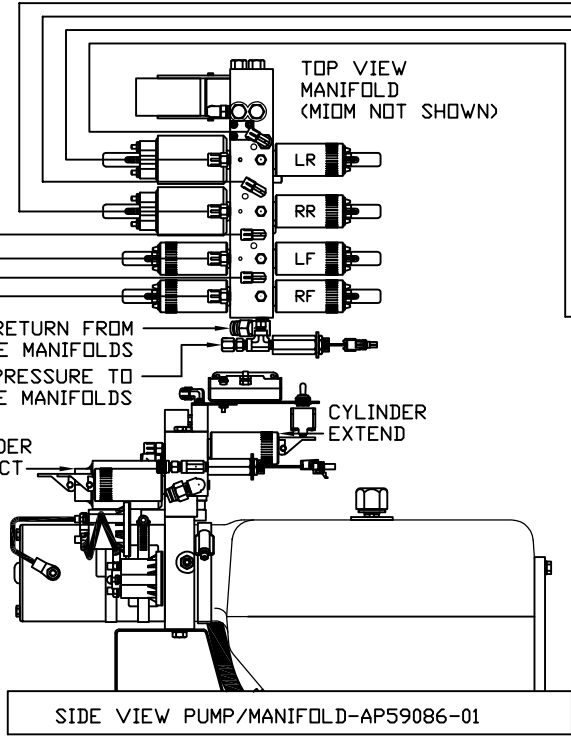
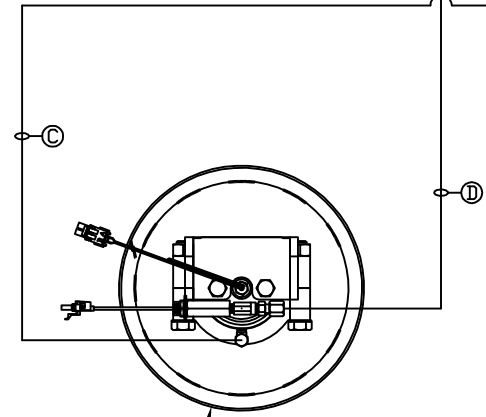
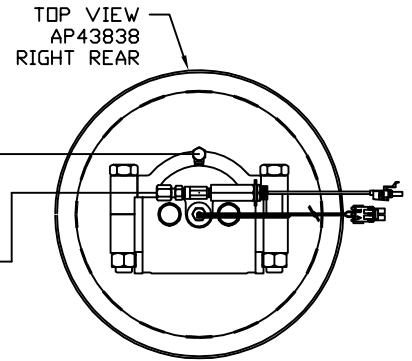


ORIENTATION
← FRONT



- Ⓐ AP7178 HOSE ASSY 04 X 504' ROD END RIGHT FRONT JACK
- Ⓑ AP7816 HOSE ASSY 05 X 480' CAP END RIGHT FRONT JACK
- Ⓒ AP53032 HOSE ASSY 04 X 420' ROD END LEFT FRONT JACK
- Ⓓ AP15835 HOSE ASSY 05 X 408' CAP END LEFT FRONT JACK
- Ⓔ AP5352 HOSE ASSY 04 X 96' ROD END LEFT REAR JACK
- Ⓣ AP42050 HOSE ASSY 05 X 78' CAP END LEFT REAR JACK
- Ⓤ AP10913 HOSE ASSY 04 X 162' ROD END RIGHT REAR JACK
- Ⓡ AP8382 HOSE ASSY 05 X 144' CAP END RIGHT REAR JACK



LOCATION AND ORIENTATION OF PUMP/MANIFOLD ASSEMBLY WILL DIFFER DEPENDING UPON O.E.M.

NOTE: INSTALLATION MUST CONFORM TO GOOD SHOP PRACTICES, SAE STANDARDS, RVIA STANDARDS, AND OTHER APPLICABLE STANDARDS.

LEVELING SYSTEM: AP60118

NO.	DATE	REVISION

THE INFORMATION DISCLOSED ON THIS DRAWING IS CONFIDENTIAL AND MUST NOT BE DISCLOSED OR USED IN ANY MANNER WHICH WILL BE DETRIMENTAL TO THE HWH CORPORATION

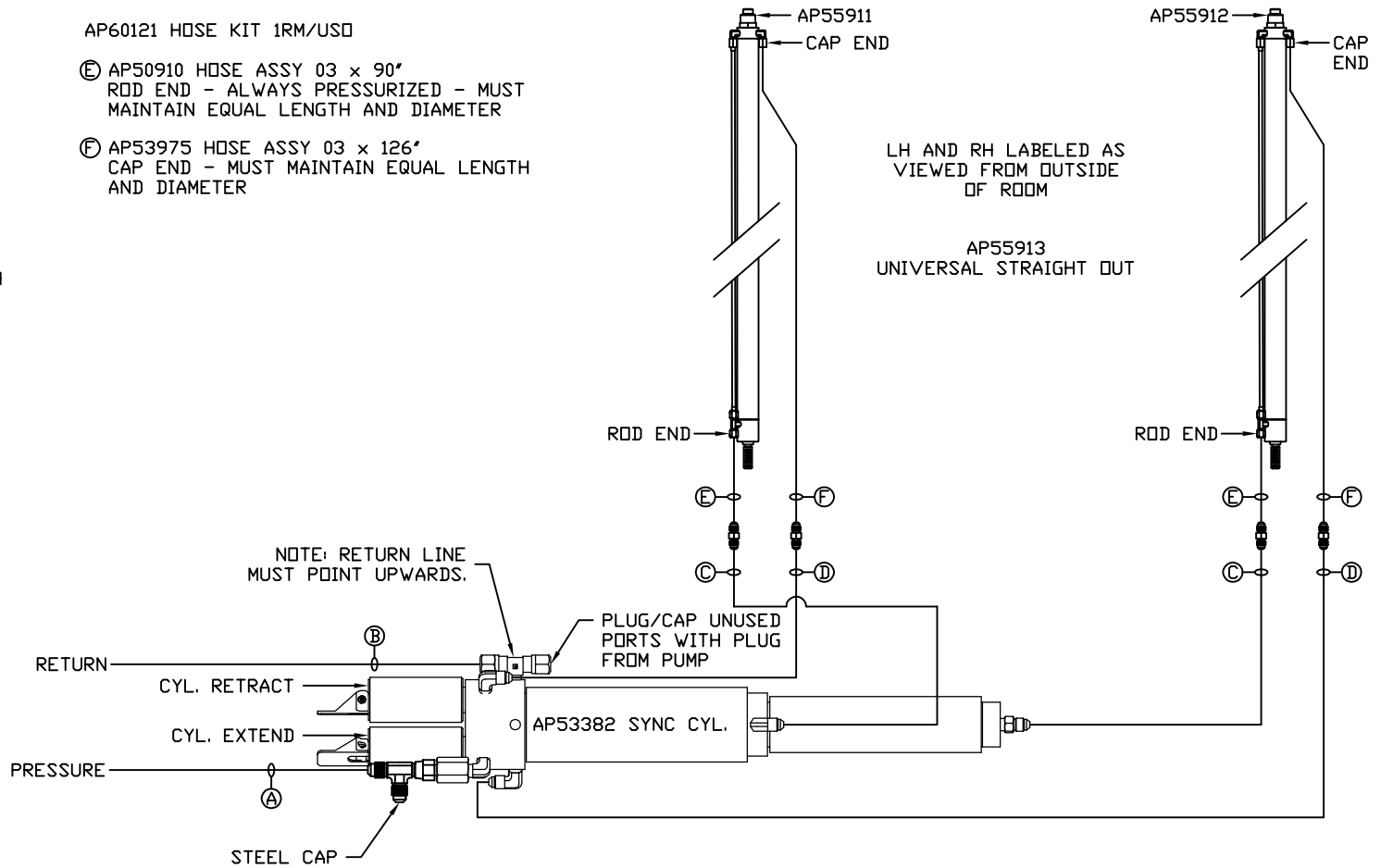
HWH			I-80 EXIT 267 SOUTH RT 1 MOSCOW, IOWA 52760		
SCALE 1:6	DATE 09MAY19	DRAWN BY .			
HYD CONN DIAGRAM					
FARBER				DRAWING NUMBER MP71218 A/B	

NOTE: HOSES (E) AND (F) ARE INCLUDED WITH THE ROOM EXTENSION MECHANISM

- (A) AP4073 HOSE ASSY 04 x 60' PRESSURE
- (B) TUBING NYLON 3/8" RETURN
- (C) AP50909 HOSE ASSY 03 x 72" ROD END - ALWAYS PRESSURIZED - MUST MAINTAIN EQUAL LENGTH AND DIAMETER
- (D) AP49244 HOSE ASSY 04 x 108" CAP END - MUST MAINTAIN EQUAL LENGTH AND DIAMETER

AP60121 HOSE KIT 1RM/USD

- (E) AP50910 HOSE ASSY 03 x 90" ROD END - ALWAYS PRESSURIZED - MUST MAINTAIN EQUAL LENGTH AND DIAMETER
- (F) AP53975 HOSE ASSY 03 x 126" CAP END - MUST MAINTAIN EQUAL LENGTH AND DIAMETER



NOTE: INSTALLATION MUST CONFORM TO GOOD SHOP PRACTICES, SAE STANDARDS, RVIA STANDARDS, AND OTHER APPLICABLE STANDARDS.

MP71218 B/B
09MAY19