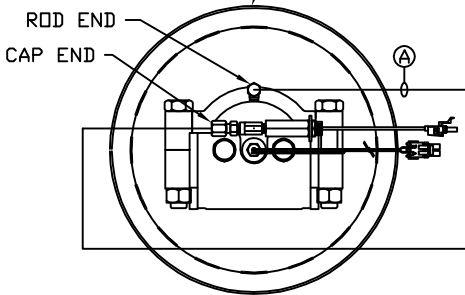
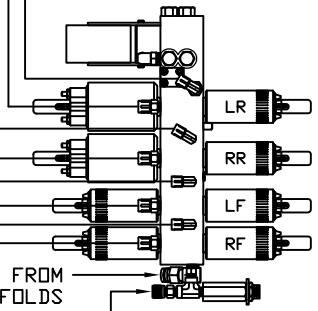


ORIENTATION
← FRONT

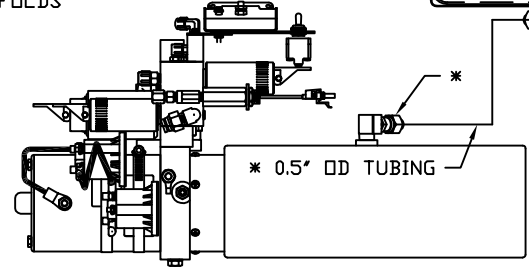
TOP VIEW
AP43838
RIGHT FRONT



TOP VIEW-MANIFOLD
(MIDM NOT SHOWN)

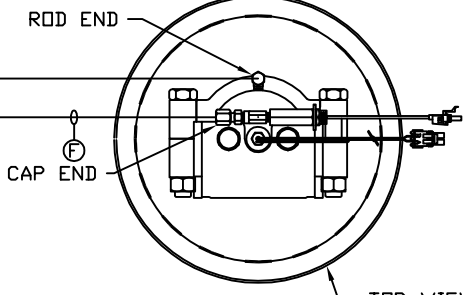


RETURN FROM
REMOTE MANIFOLDS
PRESSURE TO
REMOTE MANIFOLDS

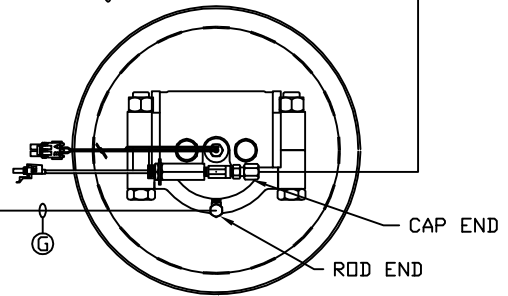
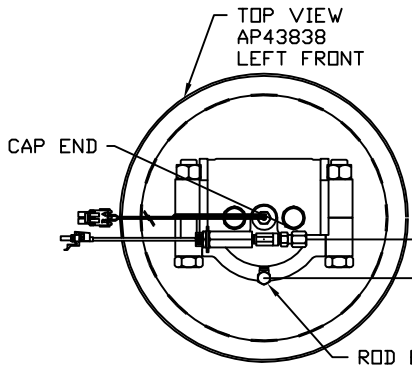


SIDE VIEW PUMP/MANIFOLD-AP58760

LOCATION AND ORIENTATION OF
PUMP/MANIFOLD ASSEMBLY WILL
DIFFER DEPENDING UPON O.E.M.



TOP VIEW
AP43838
RIGHT REAR



TOP VIEW
AP43838
LEFT REAR

- Ⓐ AP5352 HOSE ASSY 04 x 96" - RF ROD END
- Ⓑ AP8383 HOSE ASSY 05 x 96" - RF CAP END
- Ⓒ AP5352 HOSE ASSY 04 x 96" - LF ROD END
- Ⓓ AP8383 HOSE ASSY 05 x 96" - LF CAP END
- Ⓔ AP29767 HOSE ASSY 04 x 600" - RR ROD END
- Ⓕ AP54020 HOSE ASSY 05 x 600" - RR CAP END
- Ⓖ AP29767 HOSE ASSY 04 x 600" - LR ROD END
- Ⓗ AP54020 HOSE ASSY 05 x 600" - LR CAP END

*AP45236 TANK KIT

LEVELING SYSTEM: AP60131

NOTE: INSTALLATION MUST CONFORM TO GOOD SHOP PRACTICES, SAE STANDARDS, RVIA STANDARDS, AND OTHER APPLICABLE STANDARDS.

NO.	DATE	REVISION

HWH I-80 EXIT 267 SOUTH
RT 1 MOSCOW, IOWA 52760

SCALE 1:6 DATE 10MAY19 DRAWN BY .

HYD CONN DIAGRAM

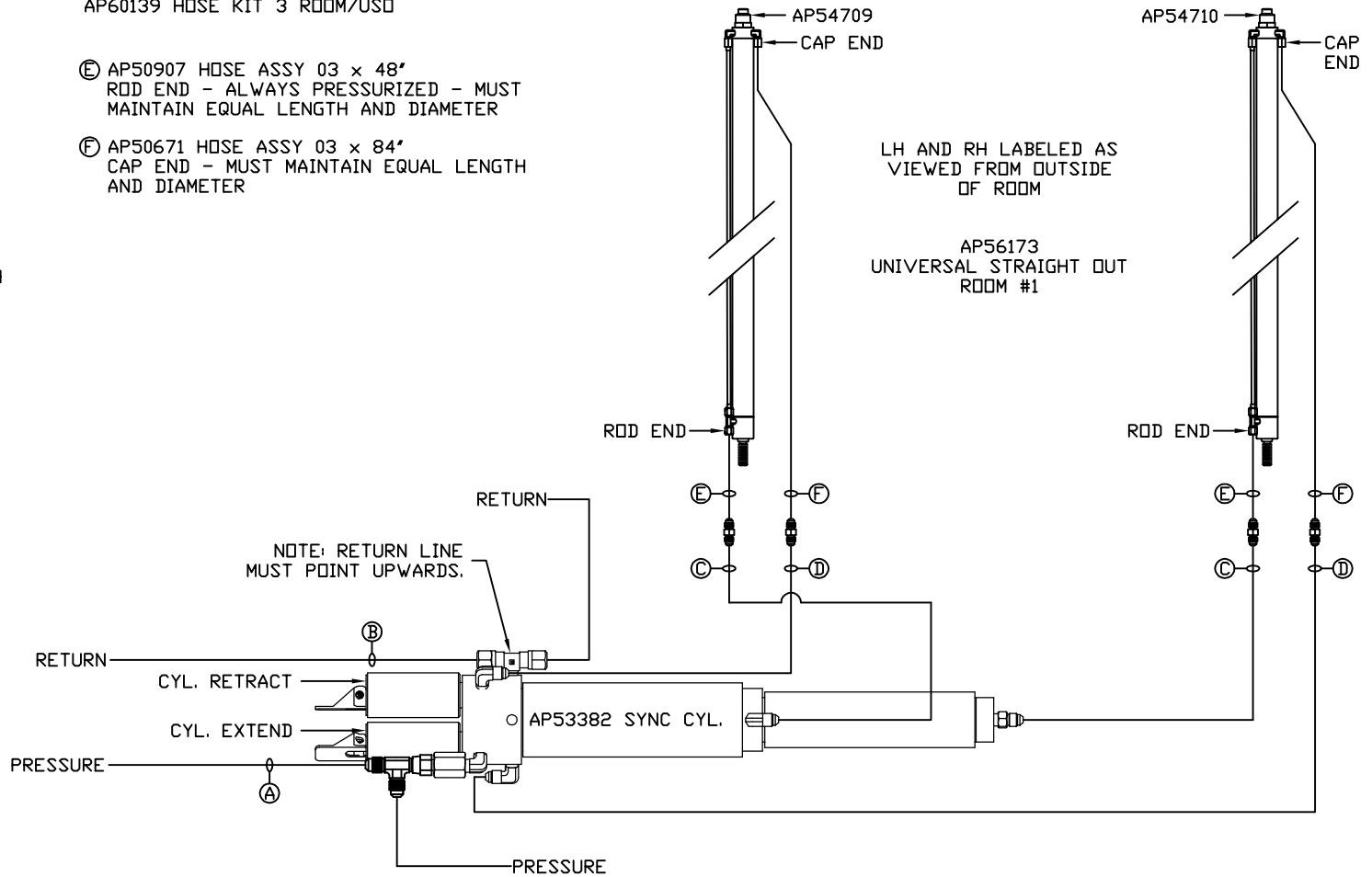
BHUGHESH INVESTMENTS DRAWING NUMBER
MP71219 A/D

NOTE: HOSES (E) AND (F) ARE INCLUDED WITH THE ROOM EXTENSION MECHANISM

AP60139 HOSE KIT 3 ROOM/USD

- (A) AP5351 HOSE ASSY 04 x 66' PRESSURE
- (B) TUBING NYLON 3/8 RETURN
- (C) AP50910 HOSE ASSY 03 x 90' ROD END - ALWAYS PRESSURIZED - MUST MAINTAIN EQUAL LENGTH AND DIAMETER
- (D) AP2445 HOSE ASSY 04 x 90' CAP END - MUST MAINTAIN EQUAL LENGTH AND DIAMETER

- (E) AP50907 HOSE ASSY 03 x 48' ROD END - ALWAYS PRESSURIZED - MUST MAINTAIN EQUAL LENGTH AND DIAMETER
- (F) AP50671 HOSE ASSY 03 x 84' CAP END - MUST MAINTAIN EQUAL LENGTH AND DIAMETER



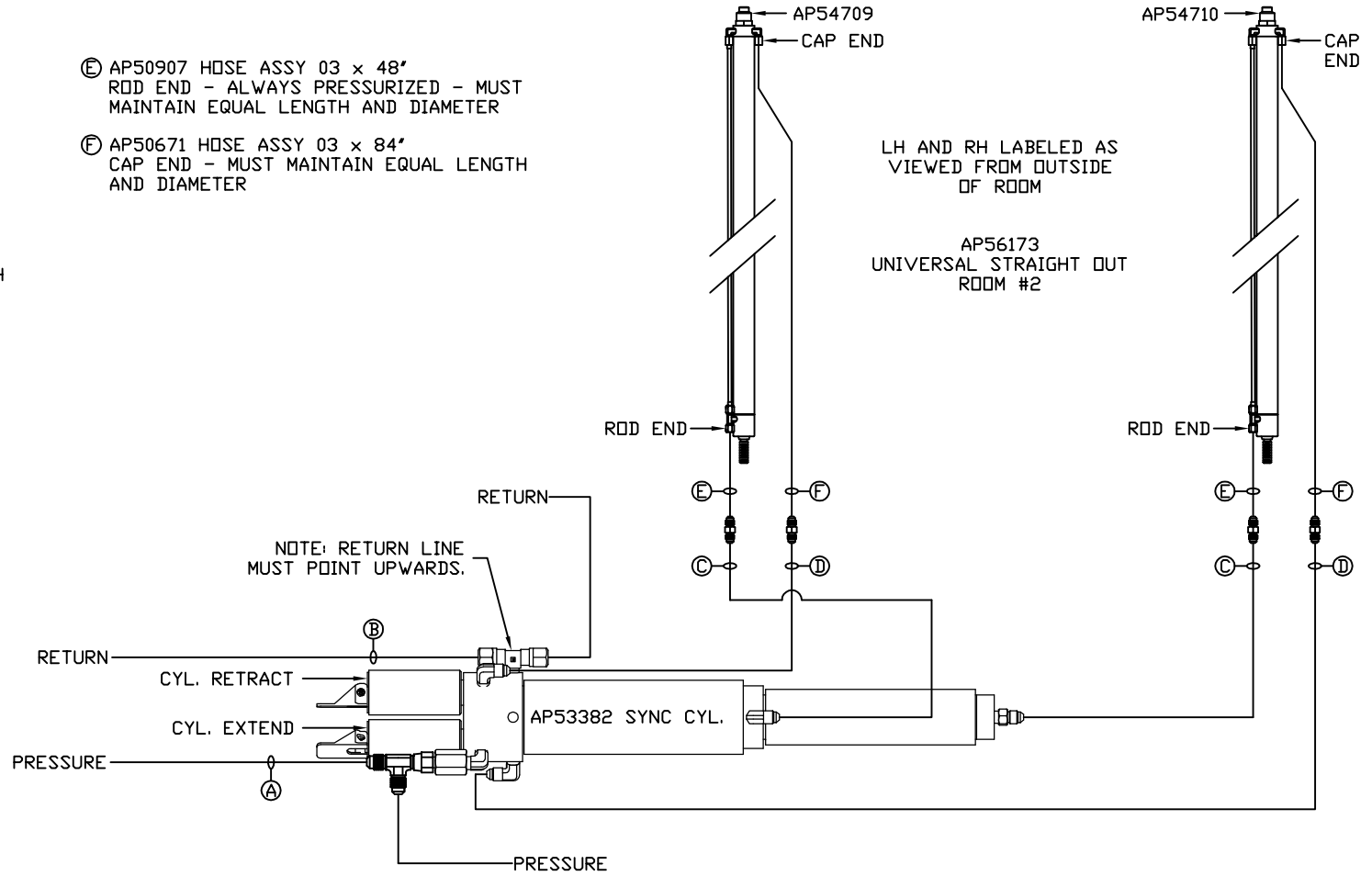
NOTE: INSTALLATION MUST CONFORM TO GOOD SHOP PRACTICES, SAE STANDARDS, RVIA STANDARDS, AND OTHER APPLICABLE STANDARDS.

MP71219 B/D
10MAY19

NOTE: HOSES (E) AND (F) ARE INCLUDED WITH THE ROOM EXTENSION MECHANISM

- (A) AP10913 HOSE ASSY 04 x 162" PRESSURE
- (B) TUBING NYLON 3/8 RETURN
- (C) AP50910 HOSE ASSY 03 x 90" ROD END - ALWAYS PRESSURIZED - MUST MAINTAIN EQUAL LENGTH AND DIAMETER
- (D) AP2445 HOSE ASSY 04 x 90" CAP END - MUST MAINTAIN EQUAL LENGTH AND DIAMETER

- (E) AP50907 HOSE ASSY 03 x 48" ROD END - ALWAYS PRESSURIZED - MUST MAINTAIN EQUAL LENGTH AND DIAMETER
- (F) AP50671 HOSE ASSY 03 x 84" CAP END - MUST MAINTAIN EQUAL LENGTH AND DIAMETER



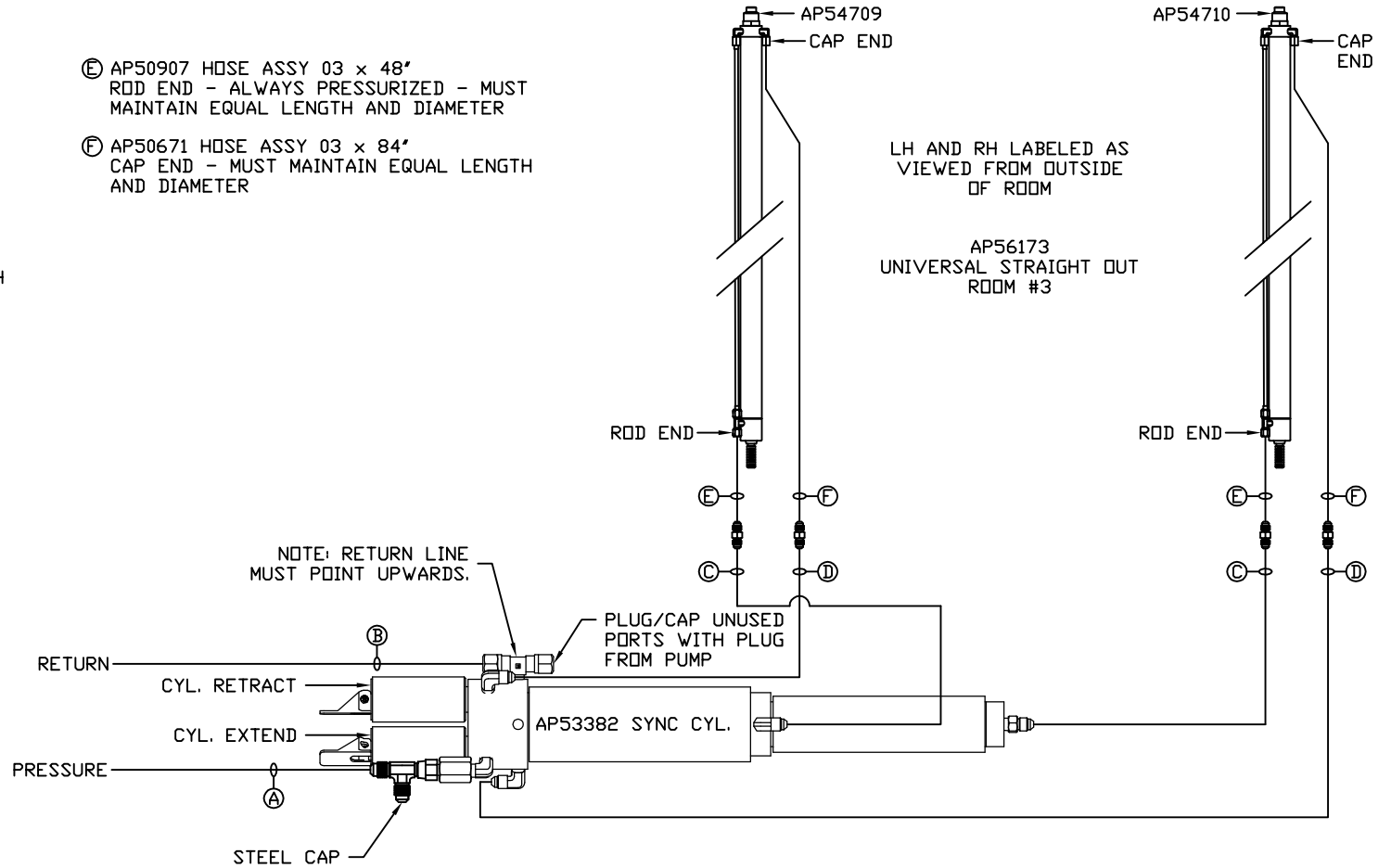
NOTE: INSTALLATION MUST CONFORM TO GOOD SHOP PRACTICES, SAE STANDARDS, RVIA STANDARDS, AND OTHER APPLICABLE STANDARDS.

MP71219 C/D
10MAY19

NOTE: HOSES ⑤ AND ⑥ ARE INCLUDED WITH THE ROOM EXTENSION MECHANISM

- ① AP5924 HOSE ASSY 04 x 228' PRESSURE
- ② TUBING NYLON 3/8 RETURN
- ③ AP50910 HOSE ASSY 03 x 90' ROD END - ALWAYS PRESSURIZED - MUST MAINTAIN EQUAL LENGTH AND DIAMETER
- ④ AP2445 HOSE ASSY 04 x 90' CAP END - MUST MAINTAIN EQUAL LENGTH AND DIAMETER

- ⑤ AP50907 HOSE ASSY 03 x 48' ROD END - ALWAYS PRESSURIZED - MUST MAINTAIN EQUAL LENGTH AND DIAMETER
- ⑥ AP50671 HOSE ASSY 03 x 84' CAP END - MUST MAINTAIN EQUAL LENGTH AND DIAMETER



NOTE: INSTALLATION MUST CONFORM TO GOOD SHOP PRACTICES, SAE STANDARDS, RVIA STANDARDS, AND OTHER APPLICABLE STANDARDS.

MP71219 D/D
10MAY19