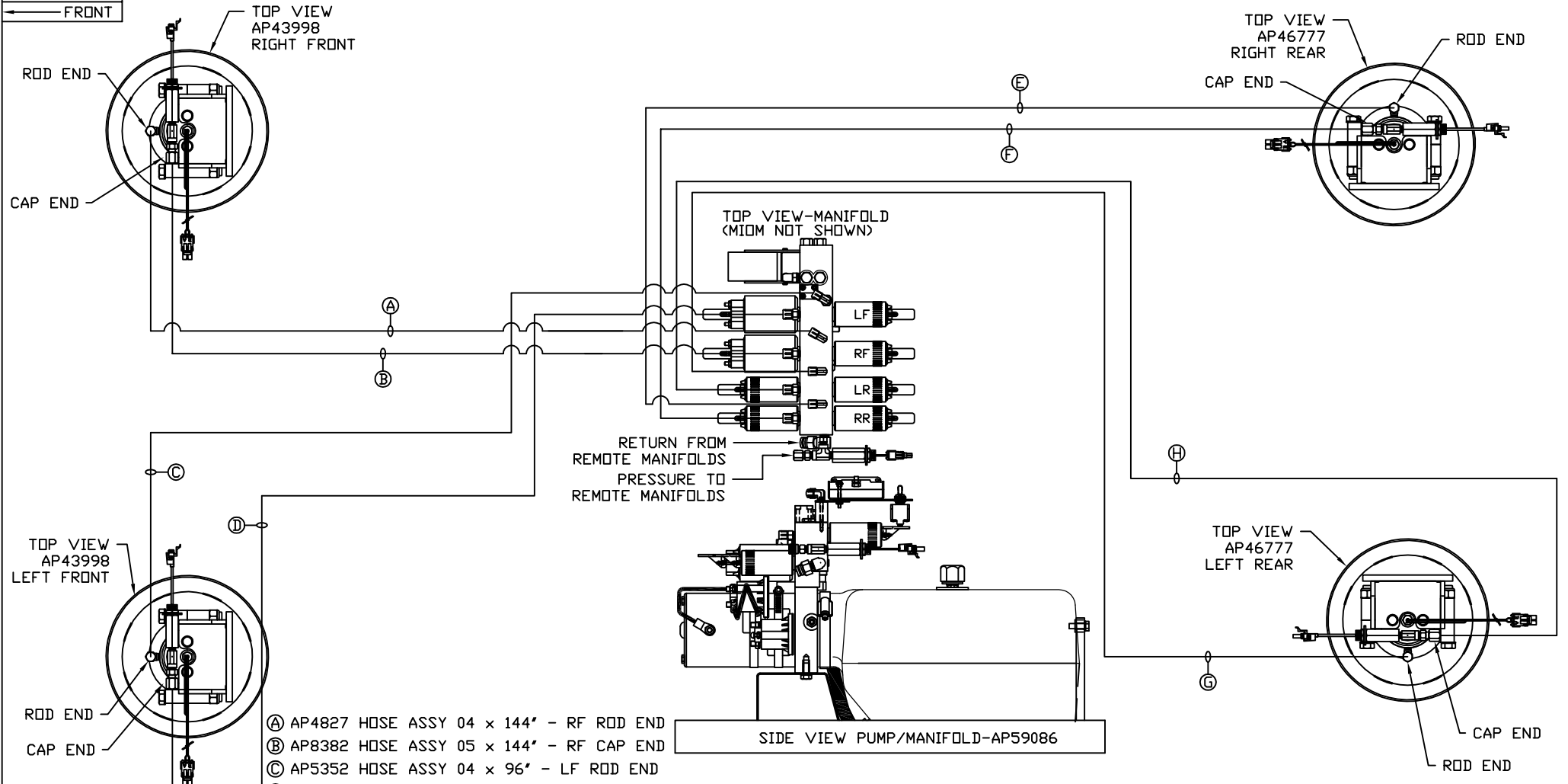


ORIENTATION
← FRONT



- Ⓐ AP4827 HOSE ASSY 04 x 144' - RF ROD END
- Ⓑ AP8382 HOSE ASSY 05 x 144' - RF CAP END
- Ⓒ AP5352 HOSE ASSY 04 x 96' - LF ROD END
- Ⓓ AP8383 HOSE ASSY 05 x 96' - LF CAP END
- Ⓔ AP5561 HOSE ASSY 04 x 336' - RR ROD END
- Ⓕ AP54015 HOSE ASSY 05 x 336' - RR CAP END
- Ⓖ AP6216 HOSE ASSY 04 x 264' - LR ROD END
- Ⓗ AP24985 HOSE ASSY 05 x 264' - LR CAP END

NOTE: INSTALLATION MUST CONFORM TO GOOD SHOP PRACTICES, SAE STANDARDS, RVIA STANDARDS, AND OTHER APPLICABLE STANDARDS. LEVELING SYSTEM: AP60210

NO.	DATE	REVISION

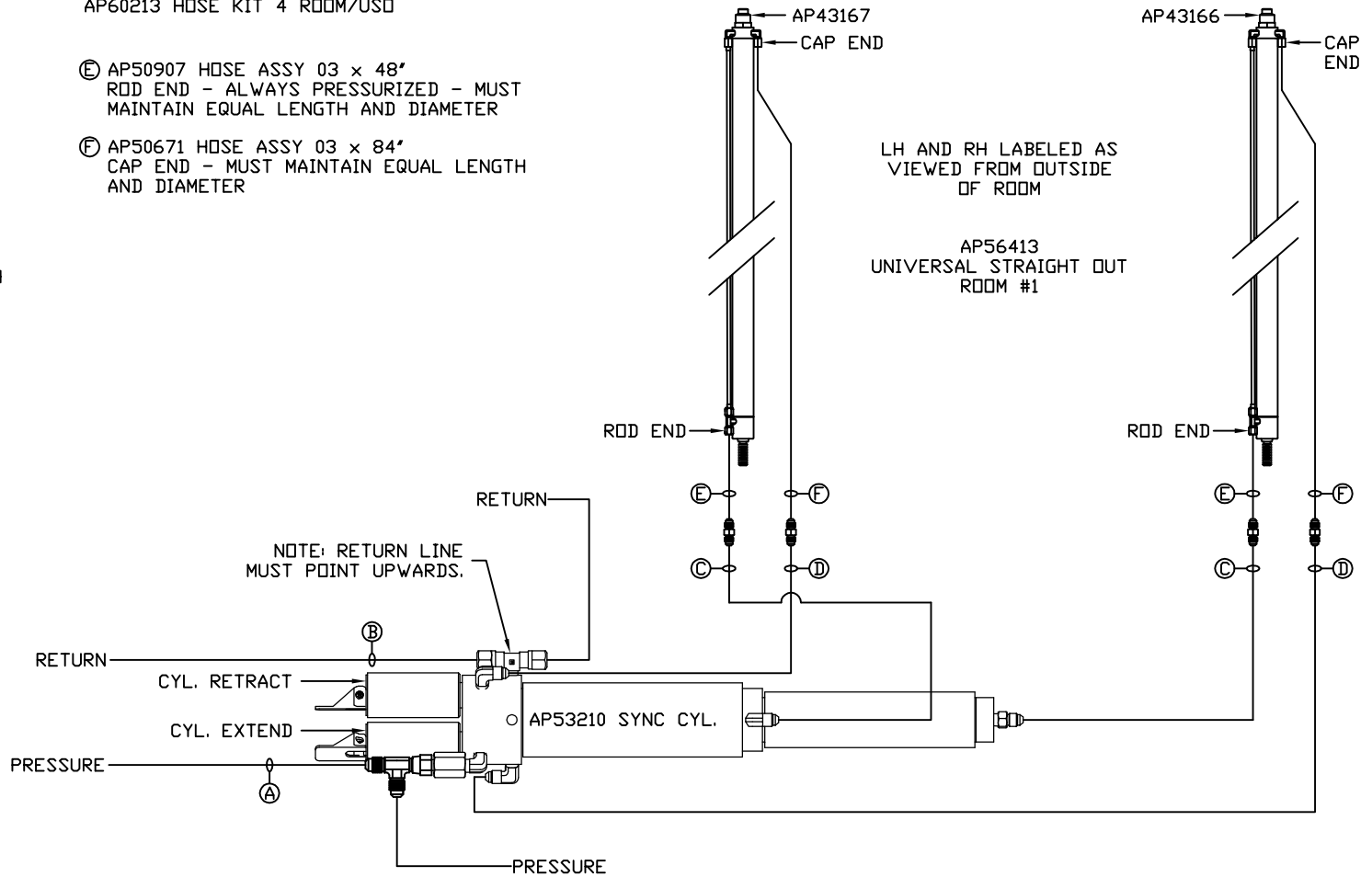
HWH			I-80 EXIT 267 SOUTH RT 1 MOSCOW, IOWA 52760		
SCALE 1:6	DATE 05JUN19	DRAWN BY .			
HYD CONN DIAGRAM					
BHUGHESH INV.				DRAWING NUMBER MP71223 A/E	

NOTE: HOSES (E) AND (F) ARE INCLUDED WITH THE ROOM EXTENSION MECHANISM

AP60213 HOSE KIT 4 ROOM/USD

- (A) AP6115 HOSE ASSY 04 x 168" PRESSURE
- (B) P5145 TUBING NYLON 3/8 x 180" RETURN
- (C) AP50556 HOSE ASSY 03 x 114" ROD END - ALWAYS PRESSURIZED - MUST MAINTAIN EQUAL LENGTH AND DIAMETER
- (D) AP53964 HOSE ASSY 04 x 114" CAP END - MUST MAINTAIN EQUAL LENGTH AND DIAMETER

- (E) AP50907 HOSE ASSY 03 x 48" ROD END - ALWAYS PRESSURIZED - MUST MAINTAIN EQUAL LENGTH AND DIAMETER
- (F) AP50671 HOSE ASSY 03 x 84" CAP END - MUST MAINTAIN EQUAL LENGTH AND DIAMETER



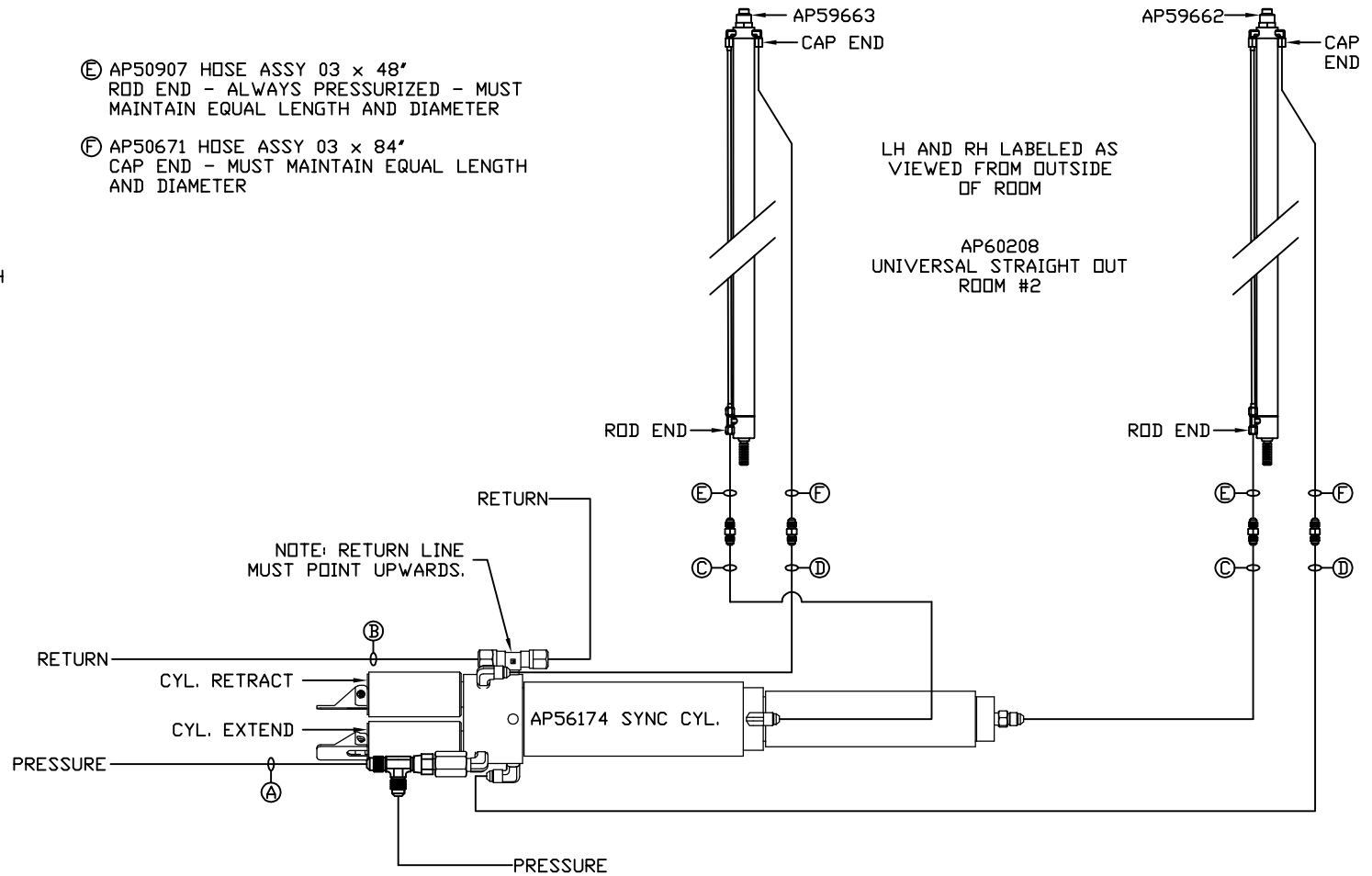
NOTE: INSTALLATION MUST CONFORM TO GOOD SHOP PRACTICES, SAE STANDARDS, RVIA STANDARDS, AND OTHER APPLICABLE STANDARDS.

MP71223 B/E
05JUN19

NOTE: HOSES (E) AND (F) ARE INCLUDED WITH THE ROOM EXTENSION MECHANISM

- (A) AP5352 HOSE ASSY 04 x 96" PRESSURE
- (B) P5254 TUBING NYLON 3/8 x 96" RETURN
- (C) AP50556 HOSE ASSY 03 x 114" ROD END - ALWAYS PRESSURIZED - MUST MAINTAIN EQUAL LENGTH AND DIAMETER
- (D) AP53964 HOSE ASSY 04 x 114" CAP END - MUST MAINTAIN EQUAL LENGTH AND DIAMETER

- (E) AP50907 HOSE ASSY 03 x 48" ROD END - ALWAYS PRESSURIZED - MUST MAINTAIN EQUAL LENGTH AND DIAMETER
- (F) AP50671 HOSE ASSY 03 x 84" CAP END - MUST MAINTAIN EQUAL LENGTH AND DIAMETER



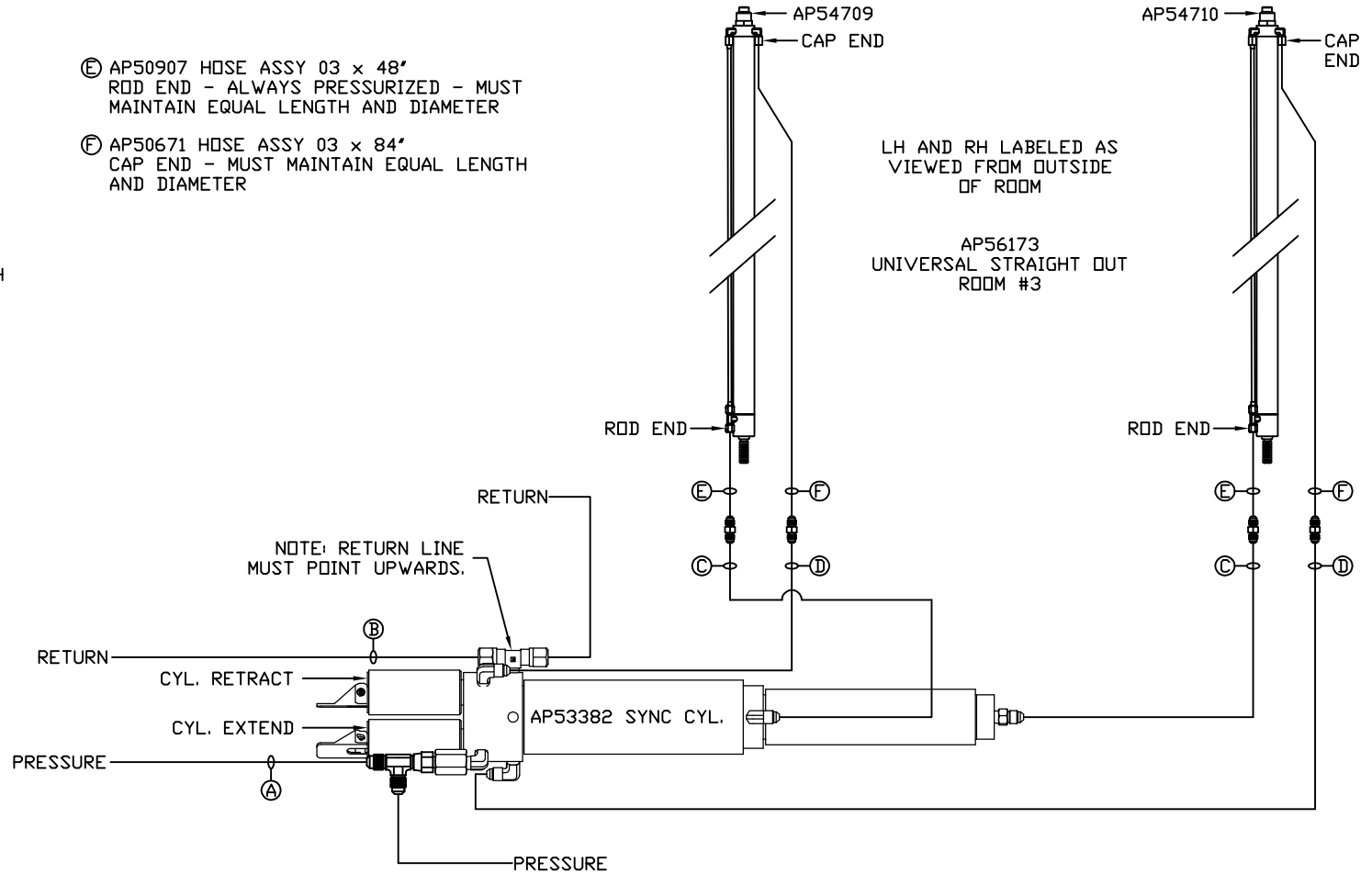
NOTE: INSTALLATION MUST CONFORM TO GOOD SHOP PRACTICES, SAE STANDARDS, RVIA STANDARDS, AND OTHER APPLICABLE STANDARDS.

MP71223 C/E
05JUN19

NOTE: HOSES (E) AND (F) ARE INCLUDED WITH THE ROOM EXTENSION MECHANISM

- (A) AP6216 HOSE ASSY 04 x 264" PRESSURE
- (B) P54208 TUBING NYLON 3/8 x 276" RETURN
- (C) AP49243 HOSE ASSY 03 x 60" ROD END - ALWAYS PRESSURIZED - MUST MAINTAIN EQUAL LENGTH AND DIAMETER
- (D) AP4073 HOSE ASSY 04 x 60" CAP END - MUST MAINTAIN EQUAL LENGTH AND DIAMETER

- (E) AP50907 HOSE ASSY 03 x 48" ROD END - ALWAYS PRESSURIZED - MUST MAINTAIN EQUAL LENGTH AND DIAMETER
- (F) AP50671 HOSE ASSY 03 x 84" CAP END - MUST MAINTAIN EQUAL LENGTH AND DIAMETER



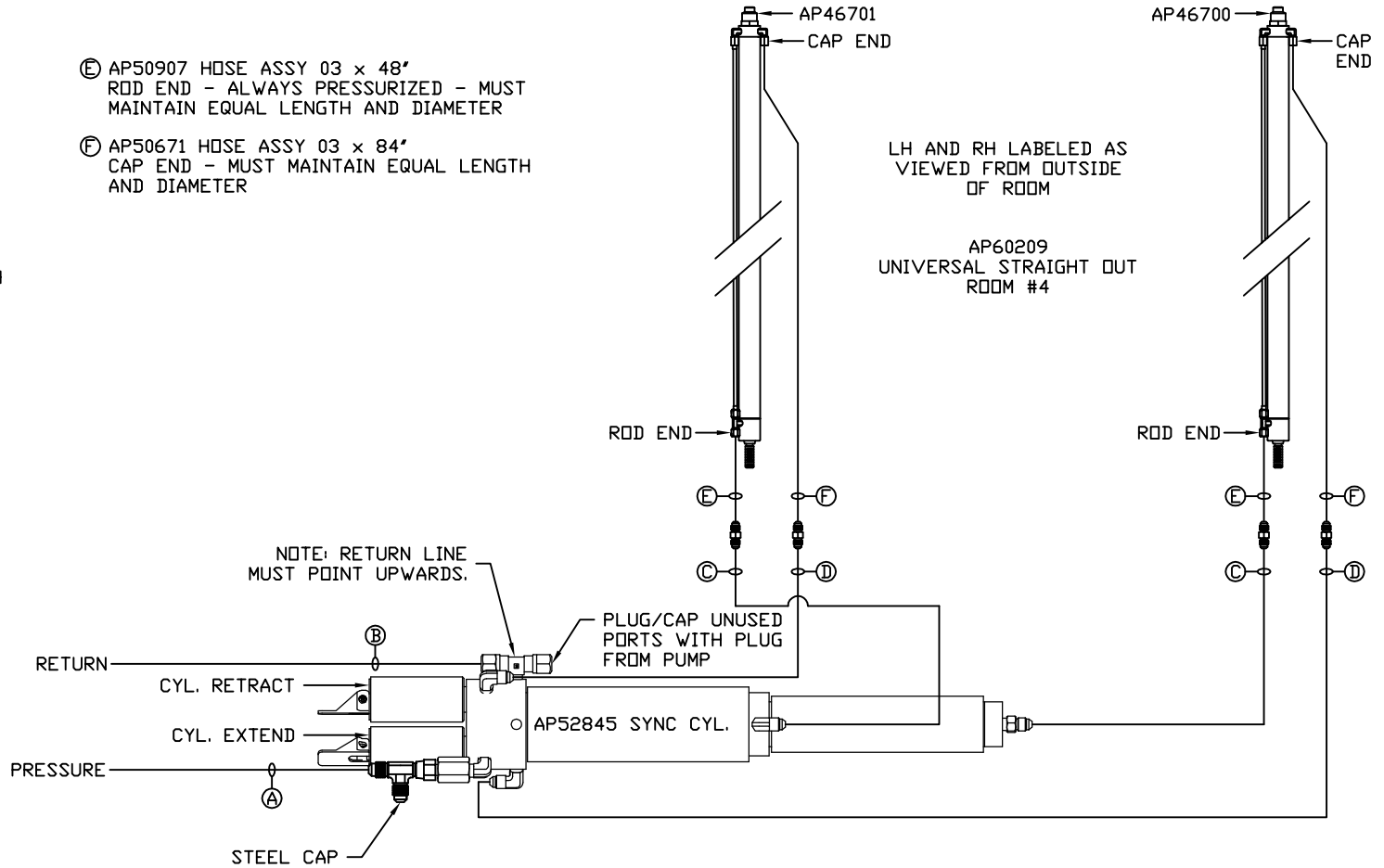
NOTE: INSTALLATION MUST CONFORM TO GOOD SHOP PRACTICES, SAE STANDARDS, RVIA STANDARDS, AND OTHER APPLICABLE STANDARDS.

MP71223 D/E
05JUN19

NOTE: HOSES (E) AND (F) ARE INCLUDED WITH THE ROOM EXTENSION MECHANISM

- (A) AP5352 HOSE ASSY 04 x 96" PRESSURE
- (B) P5254 TUBING NYLON 3/8 x 96" RETURN
- (C) AP49243 HOSE ASSY 03 x 60" ROD END - ALWAYS PRESSURIZED - MUST MAINTAIN EQUAL LENGTH AND DIAMETER
- (D) AP4073 HOSE ASSY 04 x 60" CAP END - MUST MAINTAIN EQUAL LENGTH AND DIAMETER

- (E) AP50907 HOSE ASSY 03 x 48" ROD END - ALWAYS PRESSURIZED - MUST MAINTAIN EQUAL LENGTH AND DIAMETER
- (F) AP50671 HOSE ASSY 03 x 84" CAP END - MUST MAINTAIN EQUAL LENGTH AND DIAMETER



NOTE: INSTALLATION MUST CONFORM TO GOOD SHOP PRACTICES, SAE STANDARDS, RVIA STANDARDS, AND OTHER APPLICABLE STANDARDS.

MP71223 E/E
05JUN19