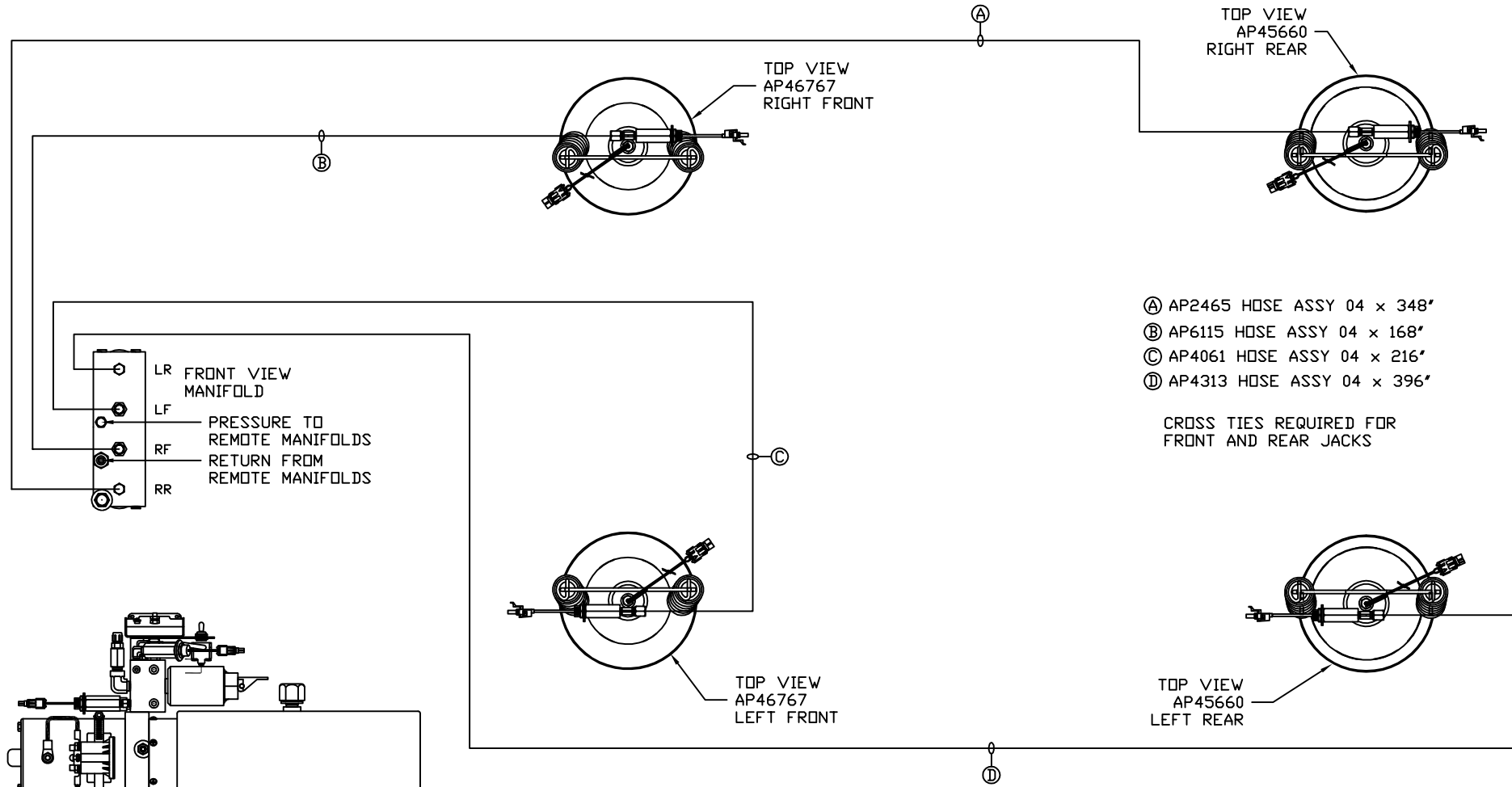
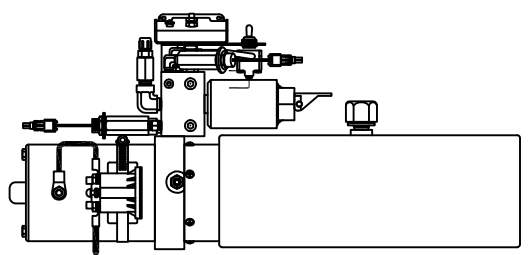


ORIENTATION  
← FRONT



- Ⓐ AP2465 HOSE ASSY 04 x 348"
- Ⓑ AP6115 HOSE ASSY 04 x 168"
- Ⓒ AP4061 HOSE ASSY 04 x 216"
- Ⓓ AP4313 HOSE ASSY 04 x 396"

CROSS TIES REQUIRED FOR FRONT AND REAR JACKS



SIDE VIEW PUMP/MANIFOLD-AP58975

LOCATION AND ORIENTATION OF PUMP/MANIFOLD ASSEMBLY WILL DIFFER DEPENDING UPON O.E.M.

		<b>HWH</b>		I-80 EXIT 267 SOUTH RT 1 MOSCOW, IOWA 52760	
		SCALE 1:6	DATE 08AUG19	DRAWN BY .	
		HYD CONN DIAGRAM			
NO.	DATE	REVISION			
		CT COACHWORKS		DRAWING NUMBER MP71231 A/E	

NOTE: INSTALLATION MUST CONFORM TO GOOD SHOP PRACTICES, SAE STANDARDS, RVIA STANDARDS, AND OTHER APPLICABLE STANDARDS. LEVELING SYSTEM: AP60114

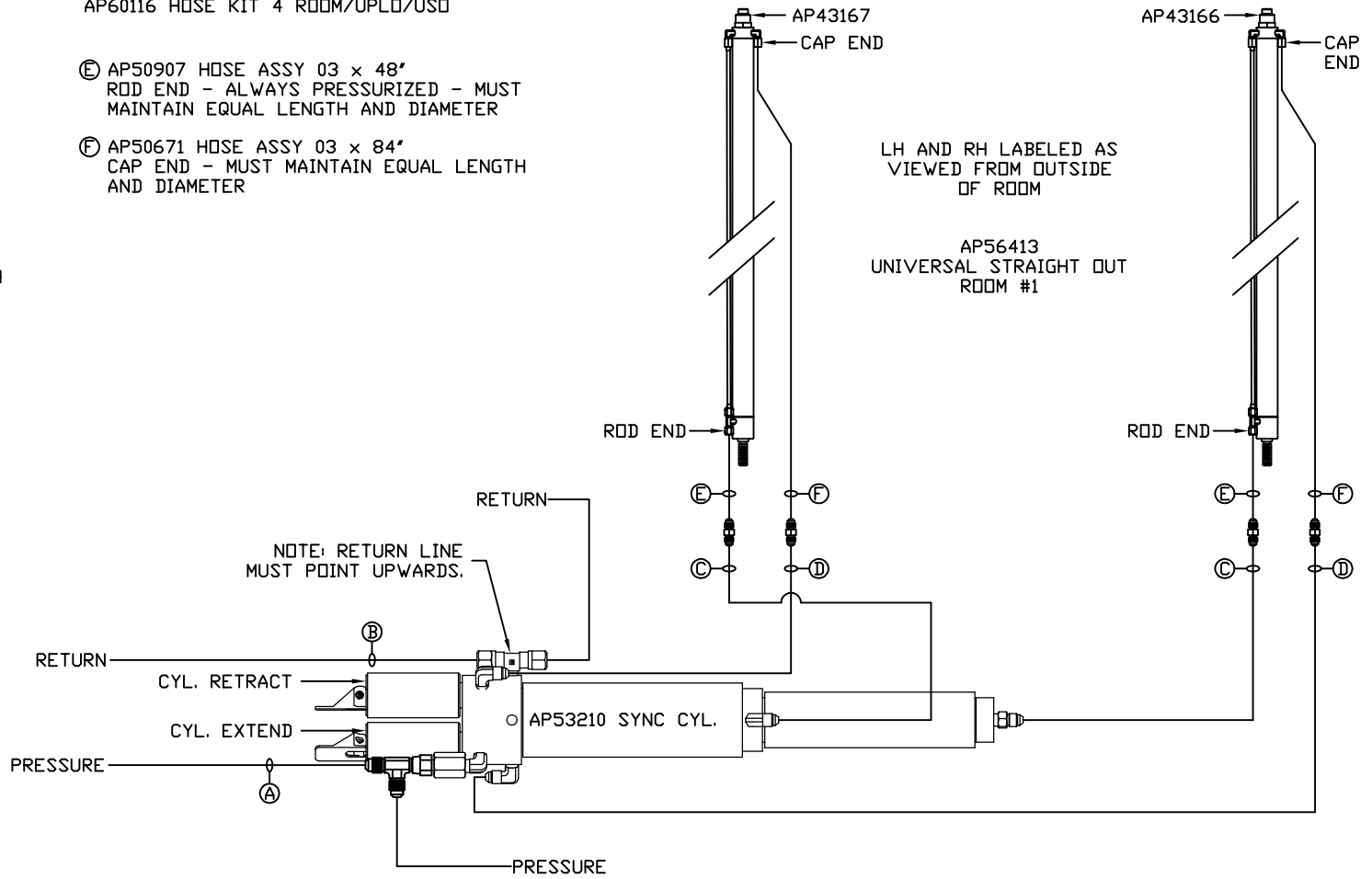
THE INFORMATION DISCLOSED ON THIS DRAWING IS CONFIDENTIAL AND MUST NOT BE DISCLOSED OR USED IN ANY MANNER WHICH WILL BE DETRIMENTAL TO THE HWH CORPORATION

NOTE: HOSES (E) AND (F) ARE INCLUDED WITH THE ROOM EXTENSION MECHANISM

AP60116 HOSE KIT 4 ROOM/UPLD/USD

- (A) AP5965 HOSE ASSY 04 x 180" PRESSURE
- (B) P5145 TUBING NYLON 3/8 x 180" RETURN
- (C) AP49245 HOSE ASSY 03 x 120" ROD END - ALWAYS PRESSURIZED - MUST MAINTAIN EQUAL LENGTH AND DIAMETER
- (D) AP4161 HOSE ASSY 04 x 120" CAP END - MUST MAINTAIN EQUAL LENGTH AND DIAMETER

- (E) AP50907 HOSE ASSY 03 x 48" ROD END - ALWAYS PRESSURIZED - MUST MAINTAIN EQUAL LENGTH AND DIAMETER
- (F) AP50671 HOSE ASSY 03 x 84" CAP END - MUST MAINTAIN EQUAL LENGTH AND DIAMETER



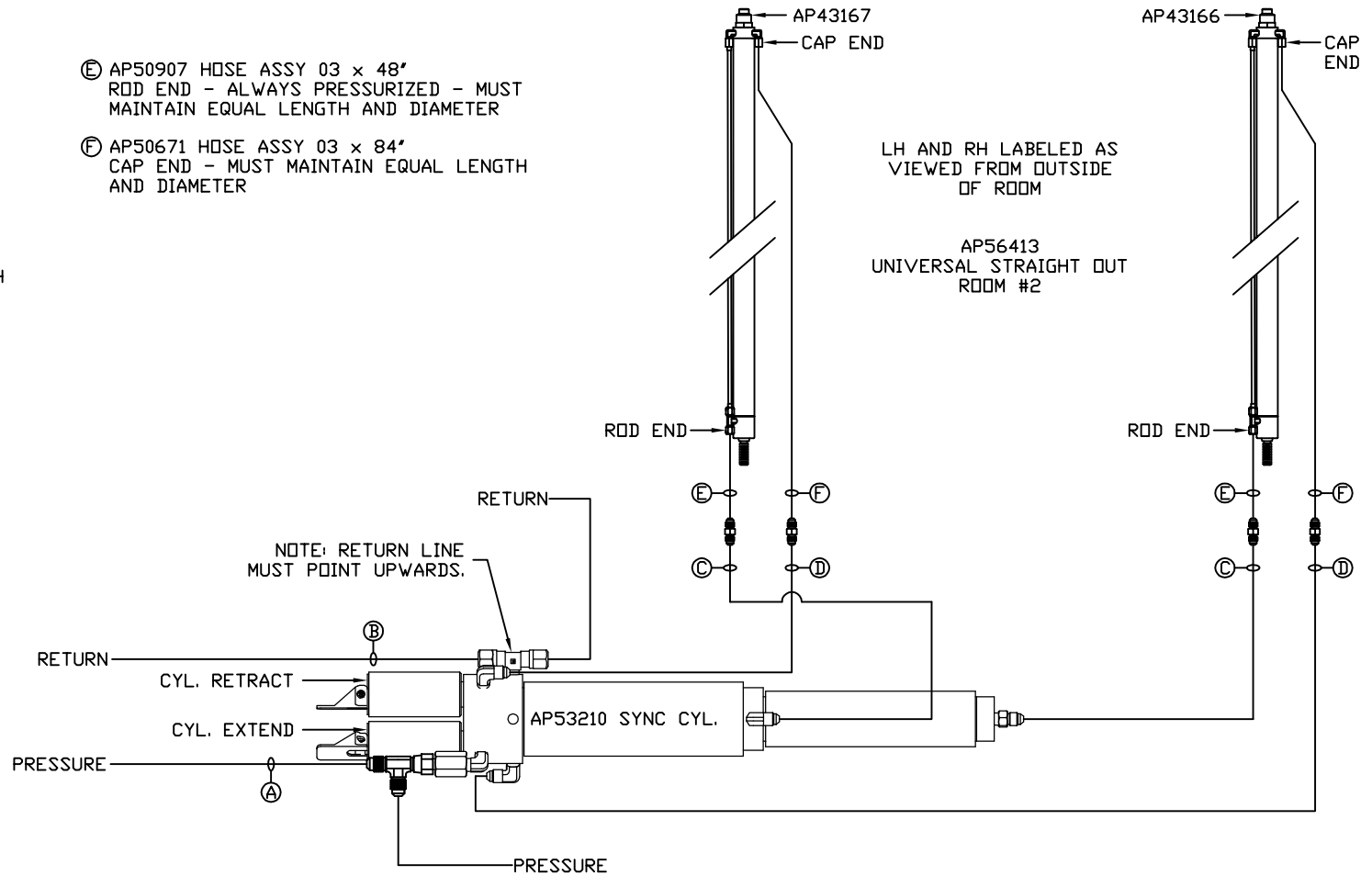
NOTE: INSTALLATION MUST CONFORM TO GOOD SHOP PRACTICES, SAE STANDARDS, RVIA STANDARDS, AND OTHER APPLICABLE STANDARDS.

MP71231 B/E  
08AUG19

NOTE: HOSES ⑤ AND ⑥ ARE INCLUDED WITH THE ROOM EXTENSION MECHANISM

- ① AP4163 HOSE ASSY 04 x 360" PRESSURE
- ② P4479 TUBING NYLON 3/8 x 360" RETURN
- ③ AP49245 HOSE ASSY 03 x 120" ROD END - ALWAYS PRESSURIZED - MUST MAINTAIN EQUAL LENGTH AND DIAMETER
- ④ AP4161 HOSE ASSY 04 x 120" CAP END - MUST MAINTAIN EQUAL LENGTH AND DIAMETER

- ⑤ AP50907 HOSE ASSY 03 x 48" ROD END - ALWAYS PRESSURIZED - MUST MAINTAIN EQUAL LENGTH AND DIAMETER
- ⑥ AP50671 HOSE ASSY 03 x 84" CAP END - MUST MAINTAIN EQUAL LENGTH AND DIAMETER

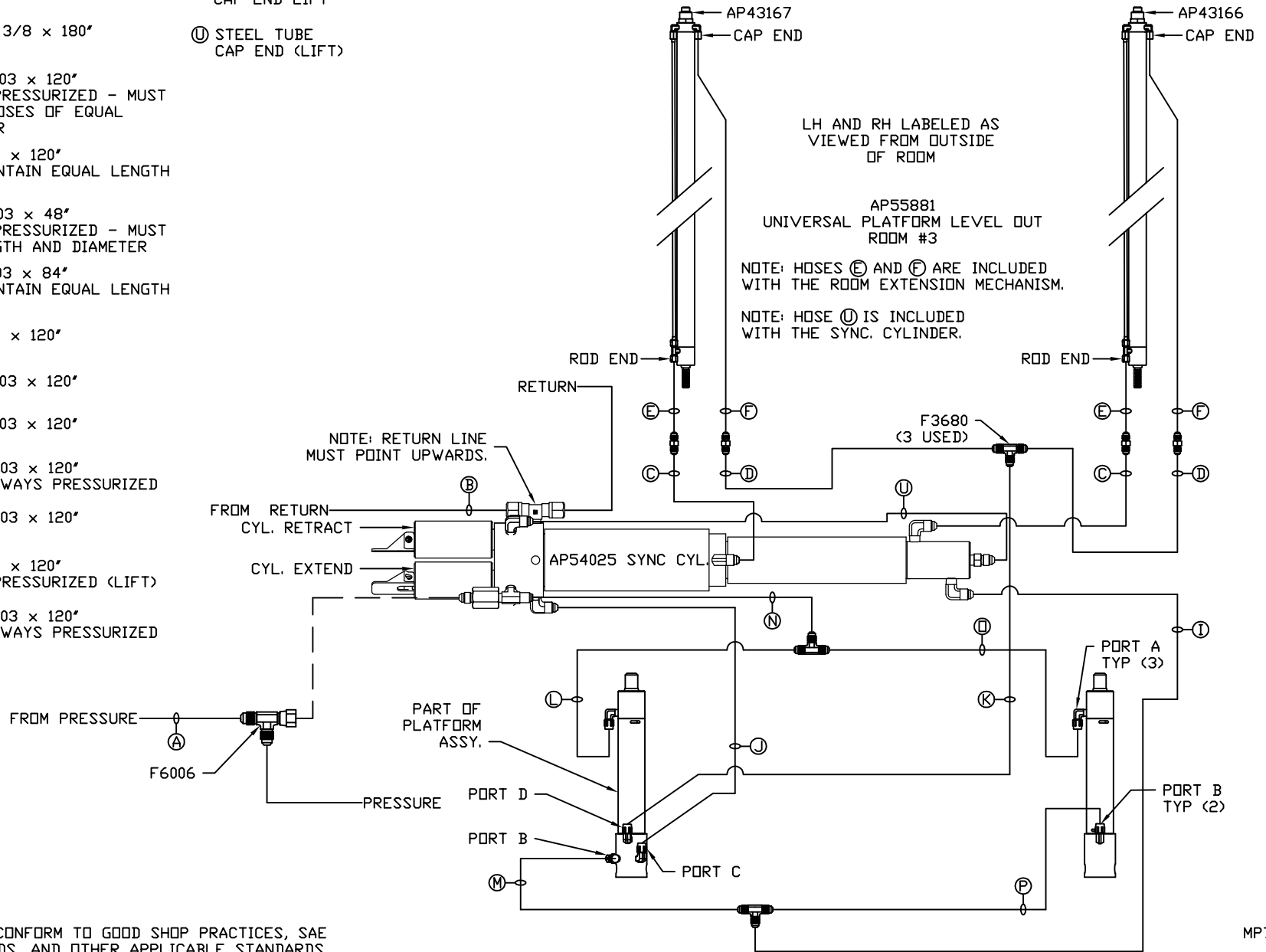


NOTE: INSTALLATION MUST CONFORM TO GOOD SHOP PRACTICES, SAE STANDARDS, RVIA STANDARDS, AND OTHER APPLICABLE STANDARDS.

MP71231 C/E  
08AUG19

- (A) AP4161 HOSE ASSY 04 x 120" PRESSURE
- (B) P5145 TUBING NYLON 3/8 x 180" RETURN
- (C) AP49245 HOSE ASSY 03 x 120" ROD END - ALWAYS PRESSURIZED - MUST BE HIGH PRESSURE HOSES OF EQUAL LENGTH AND DIAMETER
- (D) AP4161 HOSE ASSY 04 x 120" CAP END - MUST MAINTAIN EQUAL LENGTH AND DIAMETER
- (E) AP50907 HOSE ASSY 03 x 48" ROD END - ALWAYS PRESSURIZED - MUST MAINTAIN EQUAL LENGTH AND DIAMETER
- (F) AP50671 HOSE ASSY 03 x 84" CAP END - MUST MAINTAIN EQUAL LENGTH AND DIAMETER
- (I) AP4161 HOSE ASSY 04 x 120" CAP END (LIFT)
- (J) AP49245 HOSE ASSY 03 x 120" CAP END (ROOM)
- (K) AP49245 HOSE ASSY 03 x 120" CAP END (ROOM)
- (L) AP49245 HOSE ASSY 03 x 120" ROD END (LIFT) - ALWAYS PRESSURIZED
- (M) AP49245 HOSE ASSY 03 x 120" CAP END (LIFT)
- (N) AP4161 HOSE ASSY 04 x 120" ROD END - ALWAYS PRESSURIZED (LIFT)
- (O) AP49245 HOSE ASSY 03 x 120" ROD END (LIFT) - ALWAYS PRESSURIZED

- (P) AP49245 HOSE ASSY 03 x 120" CAP END LIFT
- (U) STEEL TUBE CAP END (LIFT)

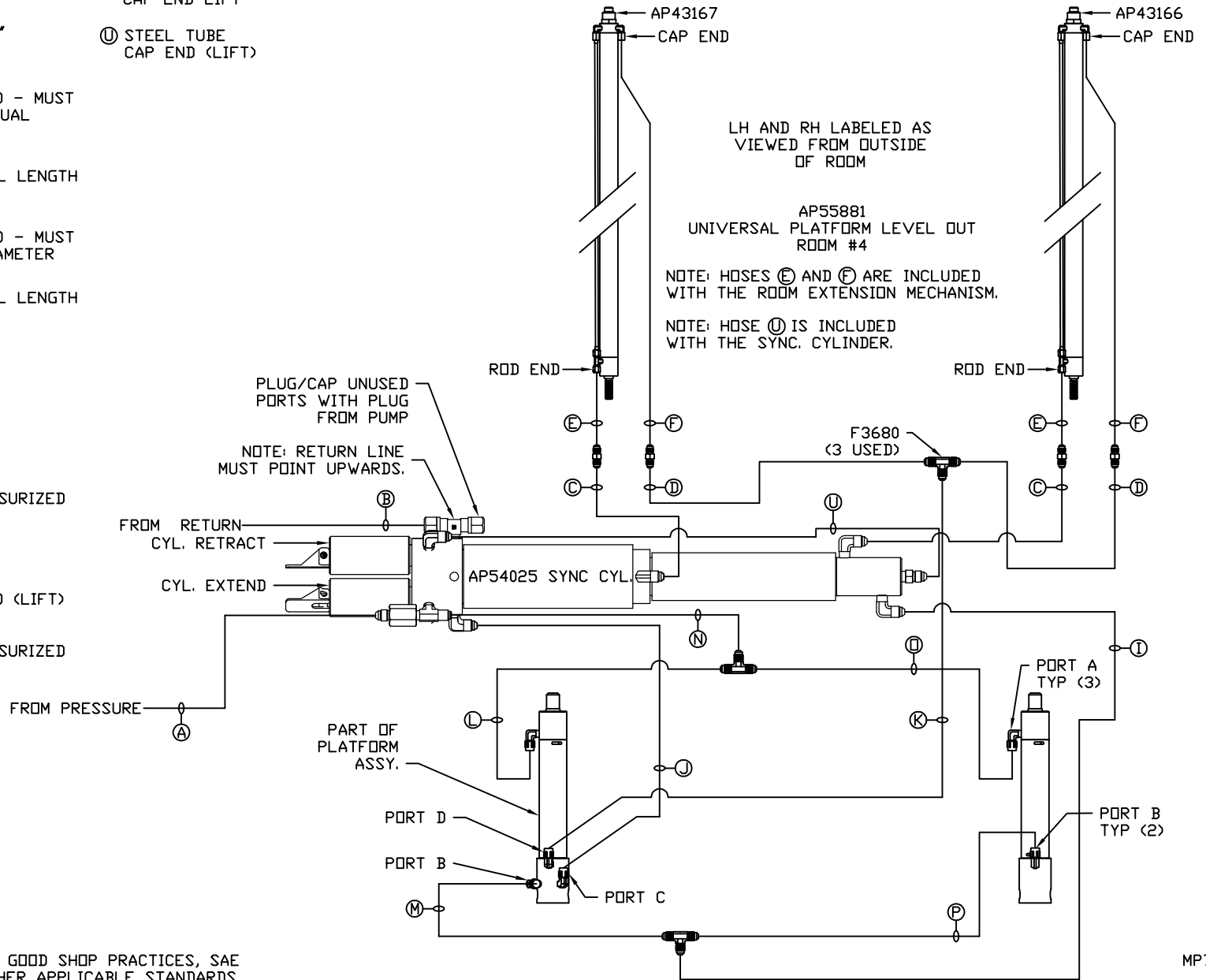


NOTE: INSTALLATION MUST CONFORM TO GOOD SHOP PRACTICES, SAE STANDARDS, RVIA STANDARDS, AND OTHER APPLICABLE STANDARDS.

MP71231 D/E  
08AUG19

- (A) AP4163 HOSE ASSY 04 x 360" PRESSURE
- (B) P4479 TUBING NYLON 3/8 x 360" RETURN
- (C) AP49245 HOSE ASSY 03 x 120" ROD END - ALWAYS PRESSURIZED - MUST BE HIGH PRESSURE HOSES OF EQUAL LENGTH AND DIAMETER
- (D) AP4161 HOSE ASSY 04 x 120" CAP END - MUST MAINTAIN EQUAL LENGTH AND DIAMETER
- (E) AP50907 HOSE ASSY 03 x 48" ROD END - ALWAYS PRESSURIZED - MUST MAINTAIN EQUAL LENGTH AND DIAMETER
- (F) AP50671 HOSE ASSY 03 x 84" CAP END - MUST MAINTAIN EQUAL LENGTH AND DIAMETER
- (I) AP4161 HOSE ASSY 04 x 120" CAP END (LIFT)
- (J) AP49245 HOSE ASSY 03 x 120" CAP END (ROOM)
- (K) AP49245 HOSE ASSY 03 x 120" CAP END (ROOM)
- (L) AP49245 HOSE ASSY 03 x 120" ROD END (LIFT) - ALWAYS PRESSURIZED
- (M) AP49245 HOSE ASSY 03 x 120" CAP END (LIFT)
- (N) AP4161 HOSE ASSY 04 x 120" ROD END - ALWAYS PRESSURIZED (LIFT)
- (O) AP49245 HOSE ASSY 03 x 120" ROD END (LIFT) - ALWAYS PRESSURIZED

- (P) AP49245 HOSE ASSY 03 x 120" CAP END LIFT
- (U) STEEL TUBE CAP END (LIFT)



NOTE: INSTALLATION MUST CONFORM TO GOOD SHOP PRACTICES, SAE STANDARDS, RVIA STANDARDS, AND OTHER APPLICABLE STANDARDS.

MP71231 E/E  
08AUG19