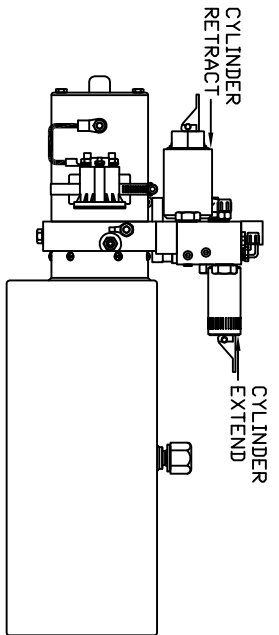
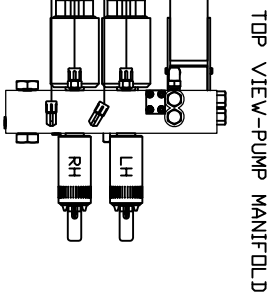
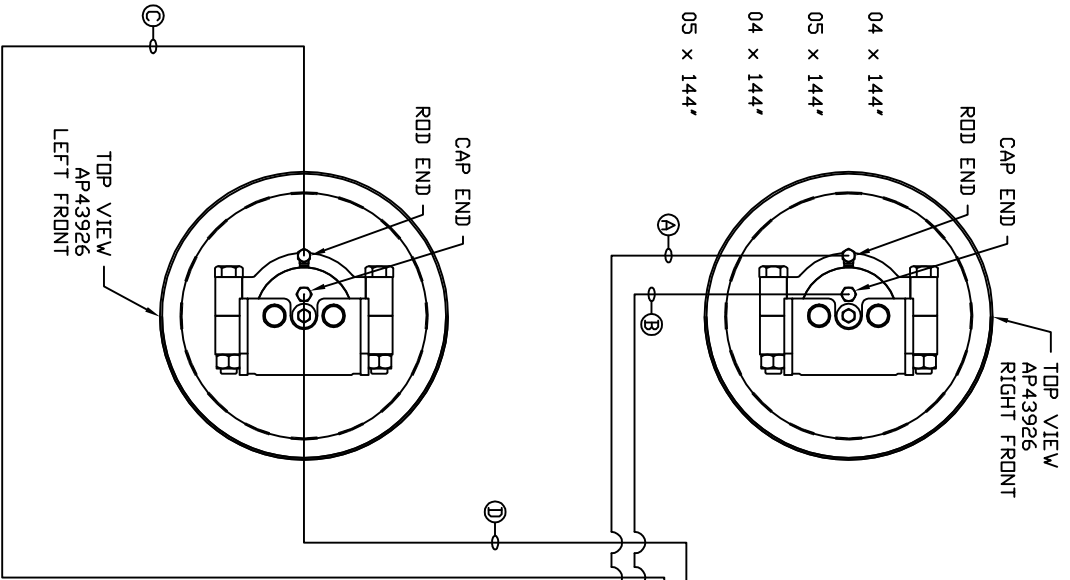


ORIENTATION  
FRONT

- Ⓐ AP4827 HOSE ASSY 04 x 144"  
ROD END
- Ⓑ AP8382 HOSE ASSY 05 x 144"  
CAP END
- Ⓒ AP4827 HOSE ASSY 04 x 144"  
ROD END
- Ⓓ AP8382 HOSE ASSY 05 x 144"  
CAP END



SIDE VIEW PUMP/MANIFOLD-AP49098  
LOCATION AND ORIENTATION OF  
PUMP/MANIFOLD ASSEMBLY WILL  
DIFFER DEPENDING UPON OEM.

NOTE: INSTALLATION MUST CONFORM TO GOOD SHOP PRACTICES, SAE STANDARDS, RVIA STANDARDS, AND OTHER APPLICABLE STANDARDS.

CONTROL PACKAGE: AP60387

NO.	DATE	REVISION

HWH	1-80 EXIT 267 SOUTH RT 1 MOSCOW, IOWA 52760
SCALE 1:6	DATE 14AUG19
DRAWN BY .	
HYD CONN DIAGRAM	
TURN KEY	DRAWING NUMBER MP71236

THE INFORMATION DISCLOSED ON THIS DRAWING IS CONFIDENTIAL AND MUST NOT BE DISCLOSED OR USED IN ANY MANNER WHICH WILL BE DETRIMENTAL TO THE HWH CORPORATION