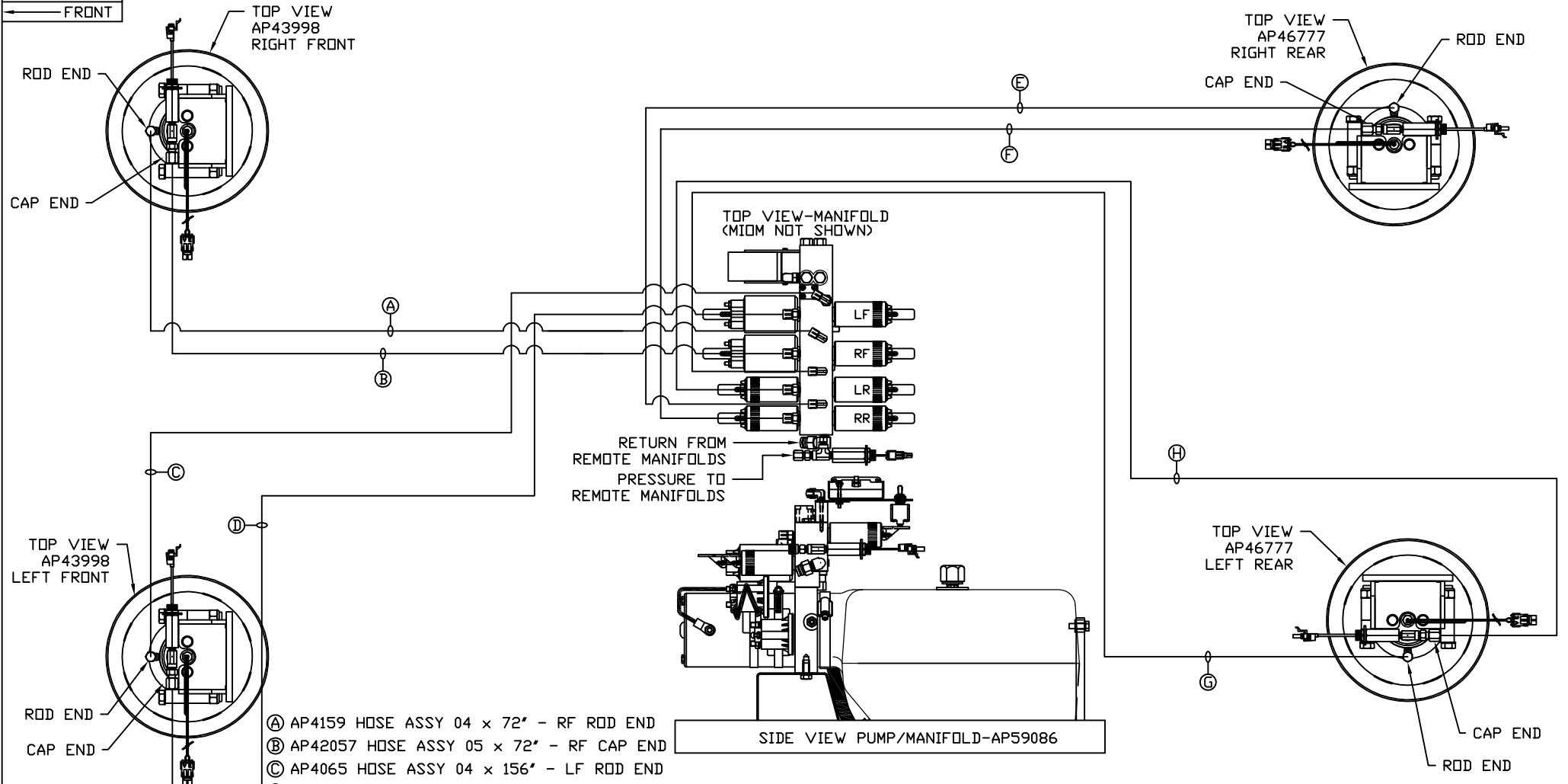


ORIENTATION
← FRONT



- Ⓐ AP4159 HOSE ASSY 04 x 72' - RF ROD END
- Ⓑ AP42057 HOSE ASSY 05 x 72' - RF CAP END
- Ⓒ AP4065 HOSE ASSY 04 x 156' - LF ROD END
- Ⓓ AP22077 HOSE ASSY 05 x 156' - LF CAP END
- Ⓔ AP29767 HOSE ASSY 04 x 600' - RR ROD END
- Ⓕ AP54020 HOSE ASSY 05 x 600' - RR CAP END
- Ⓖ AP29790 HOSE ASSY 04 x 660' - LR ROD END
- Ⓗ AP54021 HOSE ASSY 05 x 660' - LR CAP END

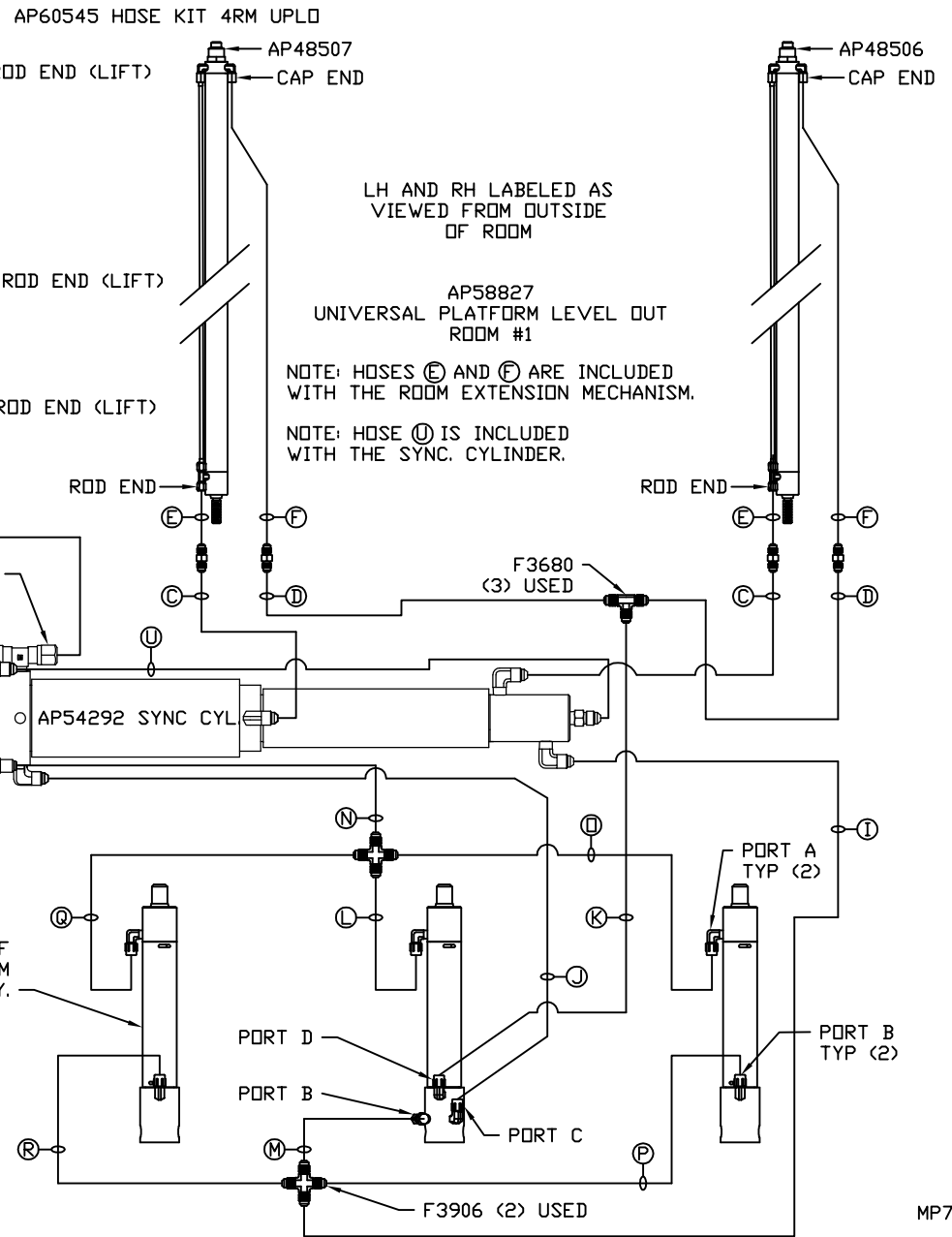
NOTE: INSTALLATION MUST CONFORM TO GOOD SHOP PRACTICES, SAE STANDARDS, RVIA STANDARDS, AND OTHER APPLICABLE STANDARDS. LEVELING SYSTEM: AP60473

NO.	DATE	REVISION

<p>HWH I-80 EXIT 267 SOUTH RT 1 MOSCOW, IOWA 52760</p>		
SCALE 1:6	DATE 10OCT19	DRAWN BY .
<p>HYD CONN DIAGRAM</p>		
<p>FEATHERLITE</p>		<p>DRAWING NUMBER MP71244 A/E</p>

- (A) AP4164 HOSE ASSY 04 x 384" PRESSURE
- (B) P4479 .375" OD NYLON TUBING x 360" RETURN
- (C) AP50779 HOSE ASSY 03 x 144" ROD END - ALWAYS PRESSURIZED - MUST MAINTAIN EQUAL LENGTH AND DIAMETER
- (D) AP4906 HOSE ASSY 04 x 126" CAP END - MUST MAINTAIN EQUAL LENGTH AND DIAMETER
- (E) AP50907 HOSE ASSY 03 x 48" ROD END - ALWAYS PRESSURIZED - MUST MAINTAIN EQUAL LENGTH AND DIAMETER
- (F) AP50671 HOSE ASSY 03 x 84" CAP END - MUST MAINTAIN EQUAL LENGTH AND DIAMETER
- (I) AP4060 HOSE ASSY 04 x 24" CAP END (LIFT)
- (J) AP50907 HOSE ASSY 03 x 48" CAP END (ROOM)

- (K) AP51975 HOSE ASSY 03 x 30" CAP END (ROOM)
- (L) AP51975 HOSE ASSY 03 x 30" - ROD END (LIFT) ALWAYS PRESSURIZED
- (M) AP52043 HOSE ASSY 03 x 18" CAP END (LIFT)
- (N) AP4059 HOSE ASSY 04 x 36" ROD END - ALWAYS PRESSURIZED (LIFT)
- (O) AP59244 HOSE ASSY 03 x 108" - ROD END (LIFT) ALWAYS PRESSURIZED
- (P) AP50909 HOSE ASSY 03 x 72" CAP END LIFT
- (Q) AP50909 HOSE ASSY 03 x 72" - ROD END (LIFT) ALWAYS PRESSURIZED
- (R) AP50766 HOSE ASSY 03 x 96" CAP END LIFT



LH AND RH LABELED AS VIEWED FROM OUTSIDE OF ROOM

AP58827 UNIVERSAL PLATFORM LEVEL OUT ROOM #1

NOTE: HOSES (E) AND (F) ARE INCLUDED WITH THE ROOM EXTENSION MECHANISM.

NOTE: HOSE (I) IS INCLUDED WITH THE SYNC. CYLINDER.

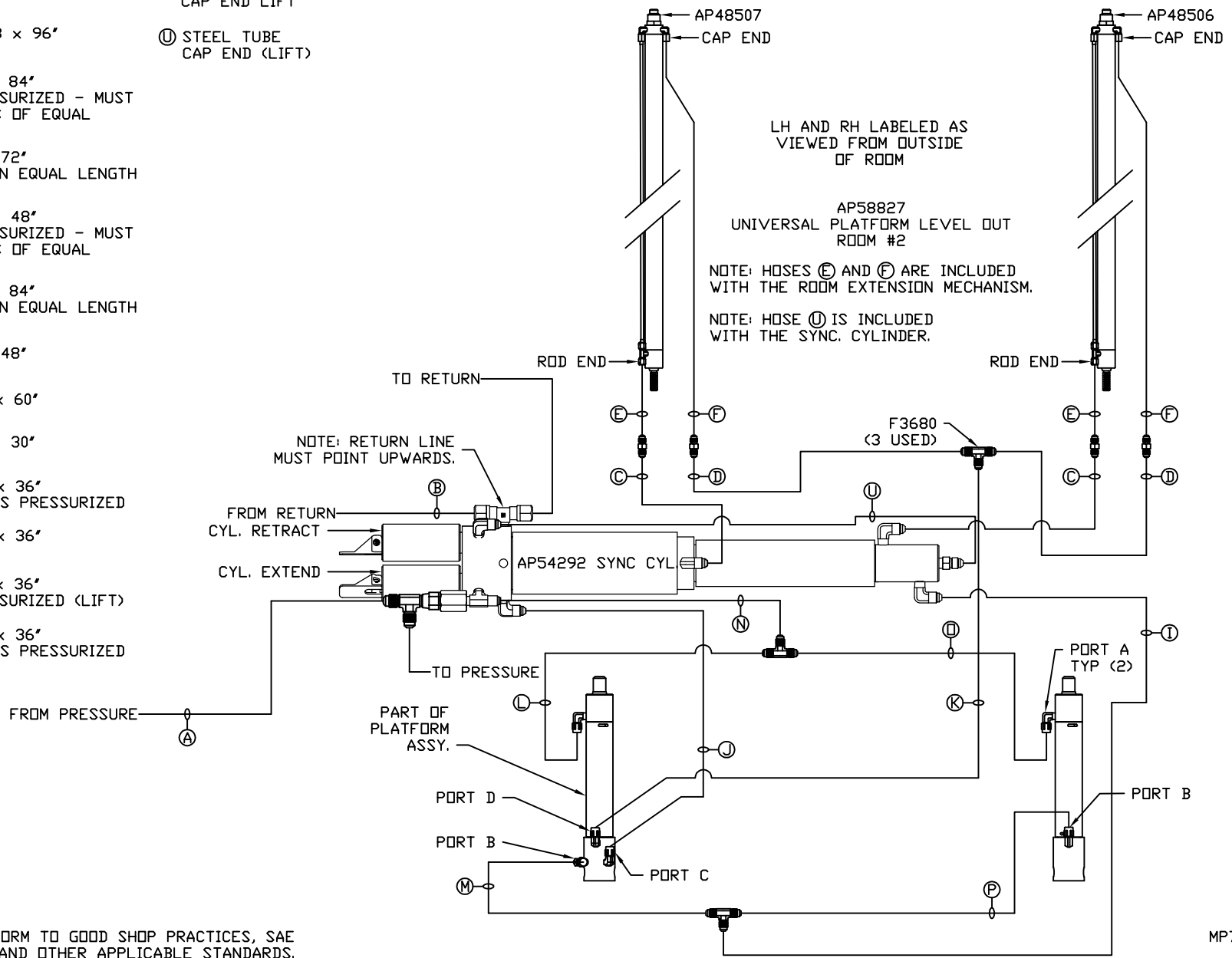
NOTE: RETURN LINE MUST POINT UPWARDS.

NOTE: INSTALLATION MUST CONFORM TO GOOD SHOP PRACTICES, SAE STANDARDS, RVIA STANDARDS, AND OTHER APPLICABLE STANDARDS.

MP71244 B/E 100CT19

- (A) AP5215 HOSE ASSY 03 x 78" PRESSURE
- (B) P5254 TUBING NYLON 3/8 x 96" RETURN
- (C) AP50671 HOSE ASSY 03 x 84" ROD END - ALWAYS PRESSURIZED - MUST BE HIGH PRESSURE HOSES OF EQUAL LENGTH AND DIAMETER
- (D) AP4159 HOSE ASSY 04 x 72" CAP END - MUST MAINTAIN EQUAL LENGTH AND DIAMETER
- (E) AP50907 HOSE ASSY 03 x 48" ROD END - ALWAYS PRESSURIZED - MUST BE HIGH PRESSURE HOSES OF EQUAL LENGTH AND DIAMETER
- (F) AP50671 HOSE ASSY 03 x 84" CAP END - MUST MAINTAIN EQUAL LENGTH AND DIAMETER
- (I) AP3314 HOSE ASSY 04 x 48" CAP END (LIFT)
- (J) AP49243 HOSE ASSY 03 x 60" CAP END (ROOM)
- (K) AP51975 HOSE ASSY 03 x 30" CAP END (ROOM)
- (L) AP48866 HOSE ASSY 03 x 36" ROD END (LIFT) - ALWAYS PRESSURIZED
- (M) AP48866 HOSE ASSY 03 x 36" CAP END (LIFT)
- (N) AP48866 HOSE ASSY 03 x 36" ROD END - ALWAYS PRESSURIZED (LIFT)
- (O) AP48866 HOSE ASSY 03 x 36" ROD END (LIFT) - ALWAYS PRESSURIZED

- (P) AP51975 HOSE ASSY 03 x 30" CAP END LIFT
- (U) STEEL TUBE CAP END (LIFT)

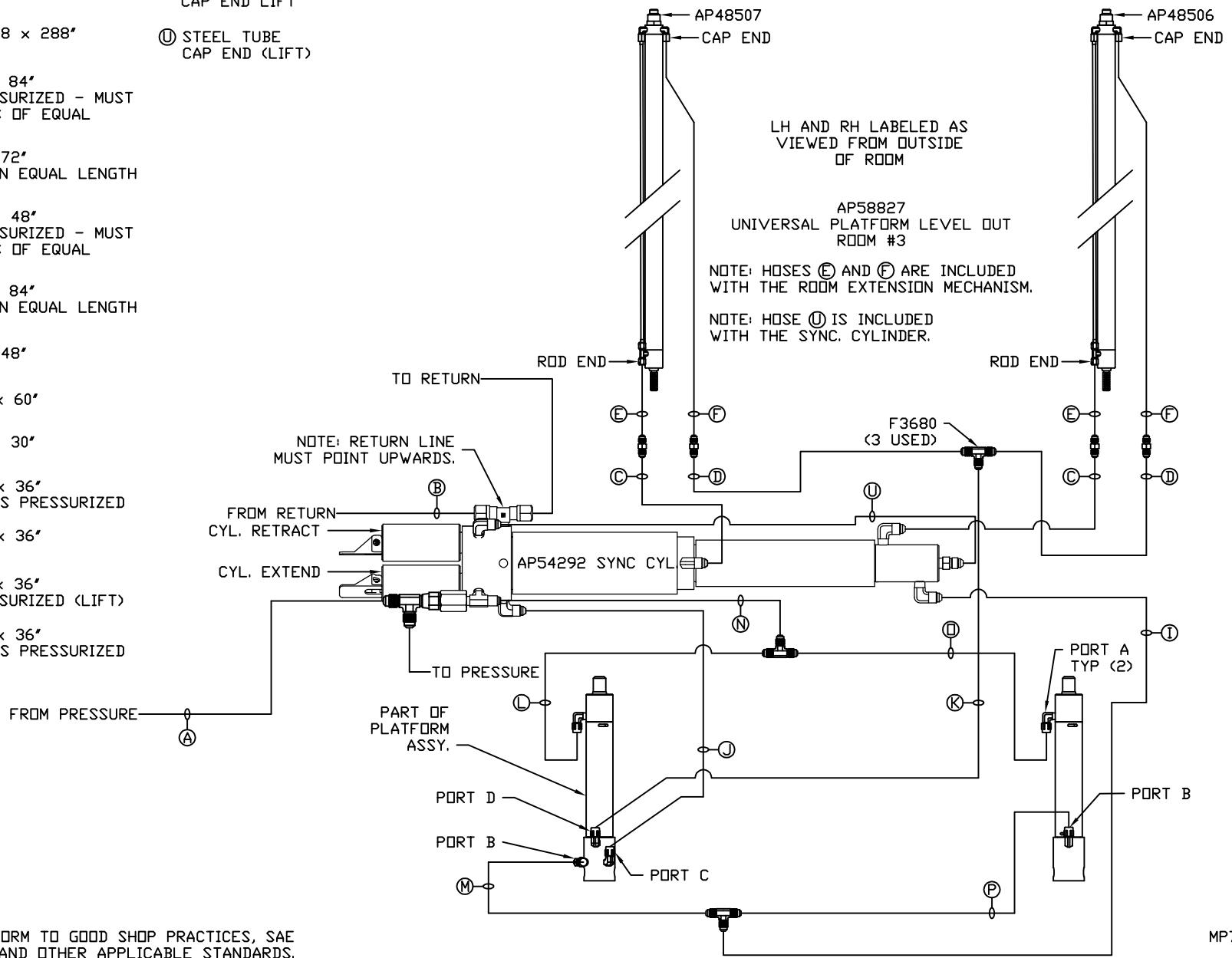


NOTE: INSTALLATION MUST CONFORM TO GOOD SHOP PRACTICES, SAE STANDARDS, RVIA STANDARDS, AND OTHER APPLICABLE STANDARDS.

MP71244 C/E
10OCT19

- (A) AP4064 HOSE ASSY 03 x 300" PRESSURE
- (B) P57027 TUBING NYLON 3/8 x 288" RETURN
- (C) AP50671 HOSE ASSY 03 x 84" ROD END - ALWAYS PRESSURIZED - MUST BE HIGH PRESSURE HOSES OF EQUAL LENGTH AND DIAMETER
- (D) AP4159 HOSE ASSY 04 x 72" CAP END - MUST MAINTAIN EQUAL LENGTH AND DIAMETER
- (E) AP50907 HOSE ASSY 03 x 48" ROD END - ALWAYS PRESSURIZED - MUST BE HIGH PRESSURE HOSES OF EQUAL LENGTH AND DIAMETER
- (F) AP50671 HOSE ASSY 03 x 84" CAP END - MUST MAINTAIN EQUAL LENGTH AND DIAMETER
- (I) AP3314 HOSE ASSY 04 x 48" CAP END (LIFT)
- (J) AP49243 HOSE ASSY 03 x 60" CAP END (ROOM)
- (K) AP51975 HOSE ASSY 03 x 30" CAP END (ROOM)
- (L) AP48866 HOSE ASSY 03 x 36" ROD END (LIFT) - ALWAYS PRESSURIZED
- (M) AP48866 HOSE ASSY 03 x 36" CAP END (LIFT)
- (N) AP48866 HOSE ASSY 03 x 36" ROD END - ALWAYS PRESSURIZED (LIFT)
- (O) AP48866 HOSE ASSY 03 x 36" ROD END (LIFT) - ALWAYS PRESSURIZED

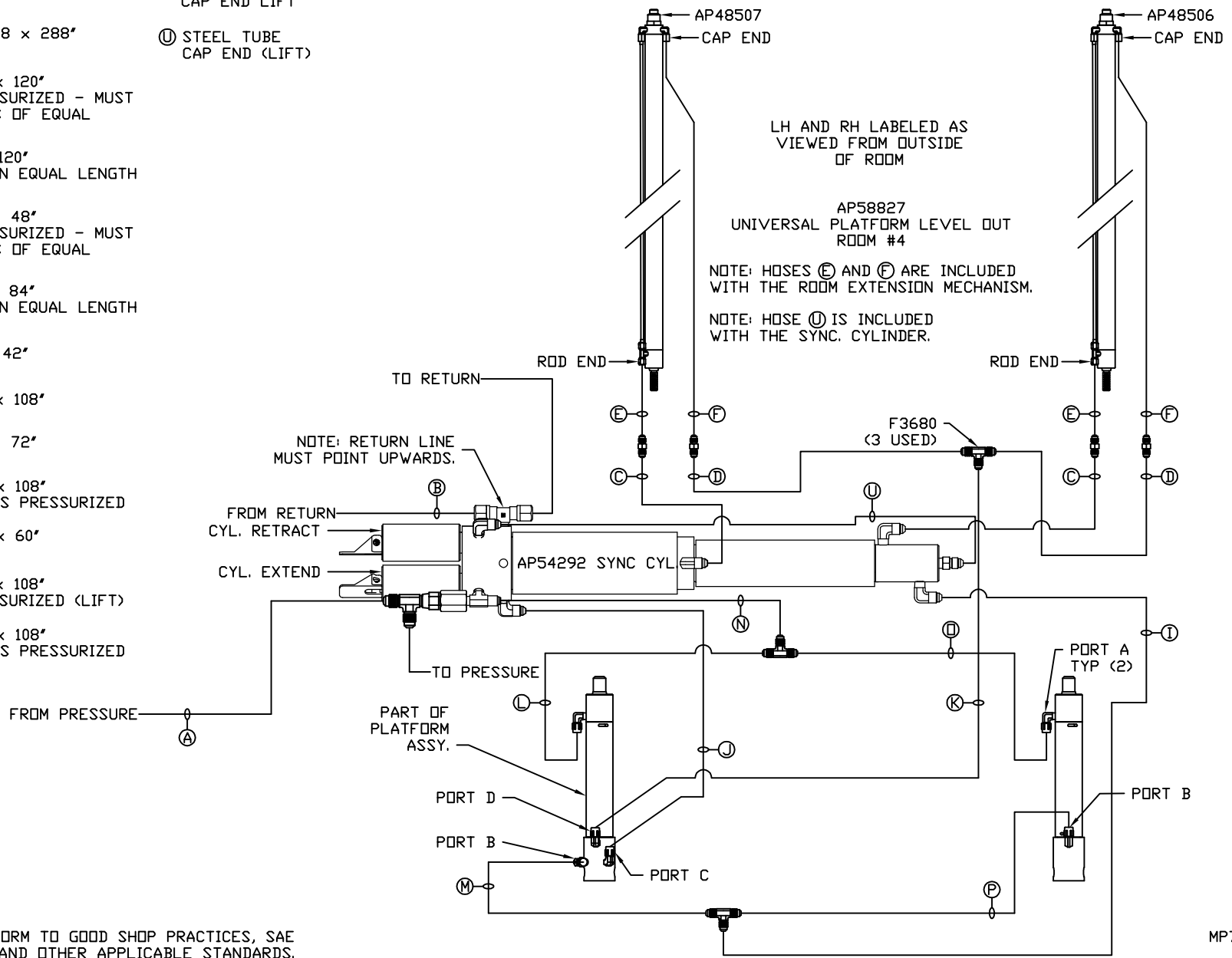
- (P) AP51975 HOSE ASSY 03 x 30" CAP END LIFT
- (U) STEEL TUBE CAP END (LIFT)



NOTE: INSTALLATION MUST CONFORM TO GOOD SHOP PRACTICES, SAE STANDARDS, RVIA STANDARDS, AND OTHER APPLICABLE STANDARDS.

- Ⓐ AP5562 HOSE ASSY 04 x 276" PRESSURE
- Ⓑ P57027 TUBING NYLON 3/8 x 288" RETURN
- Ⓒ AP49245 HOSE ASSY 03 x 120" ROD END - ALWAYS PRESSURIZED - MUST BE HIGH PRESSURE HOSES OF EQUAL LENGTH AND DIAMETER
- Ⓓ AP4161 HOSE ASSY 04 x 120" CAP END - MUST MAINTAIN EQUAL LENGTH AND DIAMETER
- Ⓔ AP50907 HOSE ASSY 03 x 48" ROD END - ALWAYS PRESSURIZED - MUST BE HIGH PRESSURE HOSES OF EQUAL LENGTH AND DIAMETER
- Ⓕ AP50671 HOSE ASSY 03 x 84" CAP END - MUST MAINTAIN EQUAL LENGTH AND DIAMETER
- Ⓖ AP4075 HOSE ASSY 04 x 42" CAP END (LIFT)
- Ⓙ AP49244 HOSE ASSY 03 x 108" CAP END (ROOM)
- Ⓚ AP50909 HOSE ASSY 03 x 72" CAP END (ROOM)
- Ⓛ AP49244 HOSE ASSY 03 x 108" ROD END (LIFT) - ALWAYS PRESSURIZED
- Ⓜ AP49243 HOSE ASSY 03 x 60" CAP END (LIFT)
- Ⓝ AP49244 HOSE ASSY 03 x 108" ROD END - ALWAYS PRESSURIZED (LIFT)
- Ⓟ AP49244 HOSE ASSY 03 x 108" ROD END (LIFT) - ALWAYS PRESSURIZED

- Ⓟ AP49243 HOSE ASSY 03 x 60" CAP END LIFT
- Ⓡ STEEL TUBE CAP END (LIFT)



NOTE: INSTALLATION MUST CONFORM TO GOOD SHOP PRACTICES, SAE STANDARDS, RVIA STANDARDS, AND OTHER APPLICABLE STANDARDS.

MP71244 E/E
10OCT19