

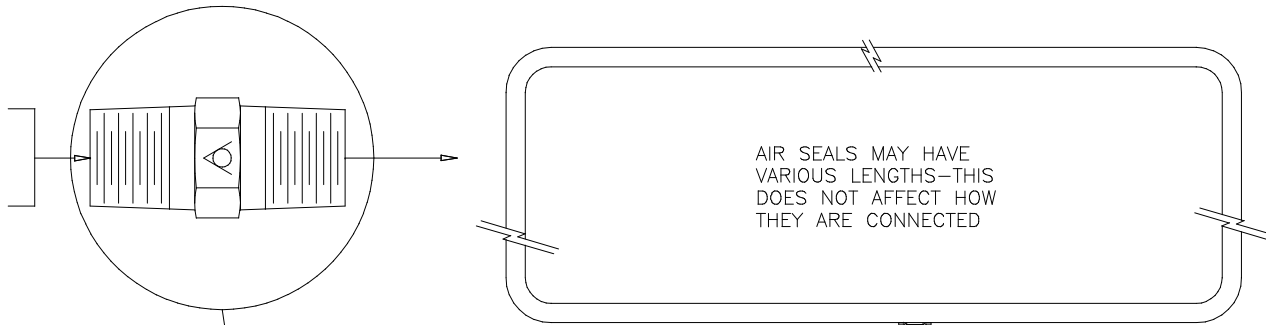
NOTE: INSTALLATION MUST CONFORM TO GOOD SHOP PRACTICES, SAE STANDARDS, RVIA STANDARDS, AND OTHER APPLICABLE STANDARDS.

SUPPLIED BY:
 *FORETRAVEL
 **HWH
 LEVELING SYSTEM: AP40033

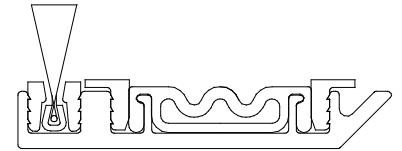
2	24MAY07	CORRECTED TYPO
1	04APR07	ADDED INSTALLATION NOTE
NO.	DATE	REVISION
THE INFORMATION DISCLOSED ON THIS DRAWING IS CONFIDENTIAL AND MUST NOT BE DISCLOSED OR USED IN ANY MANNER WHICH WILL BE DETRIMENTAL TO THE HWH CORPORATION		

HWH 1-80 EXIT 267 SOUTH RT 1 MOSCOW, IOWA 52760		
SCALE	DATE 20FEB07	DRAWN BY
AIR CONN DIAGRAM		
FORETRAVEL		DRAWING NUMBER MP79068 A/B

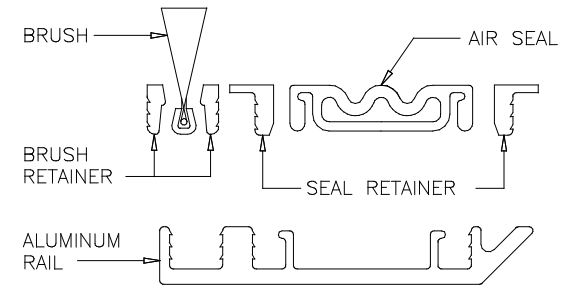
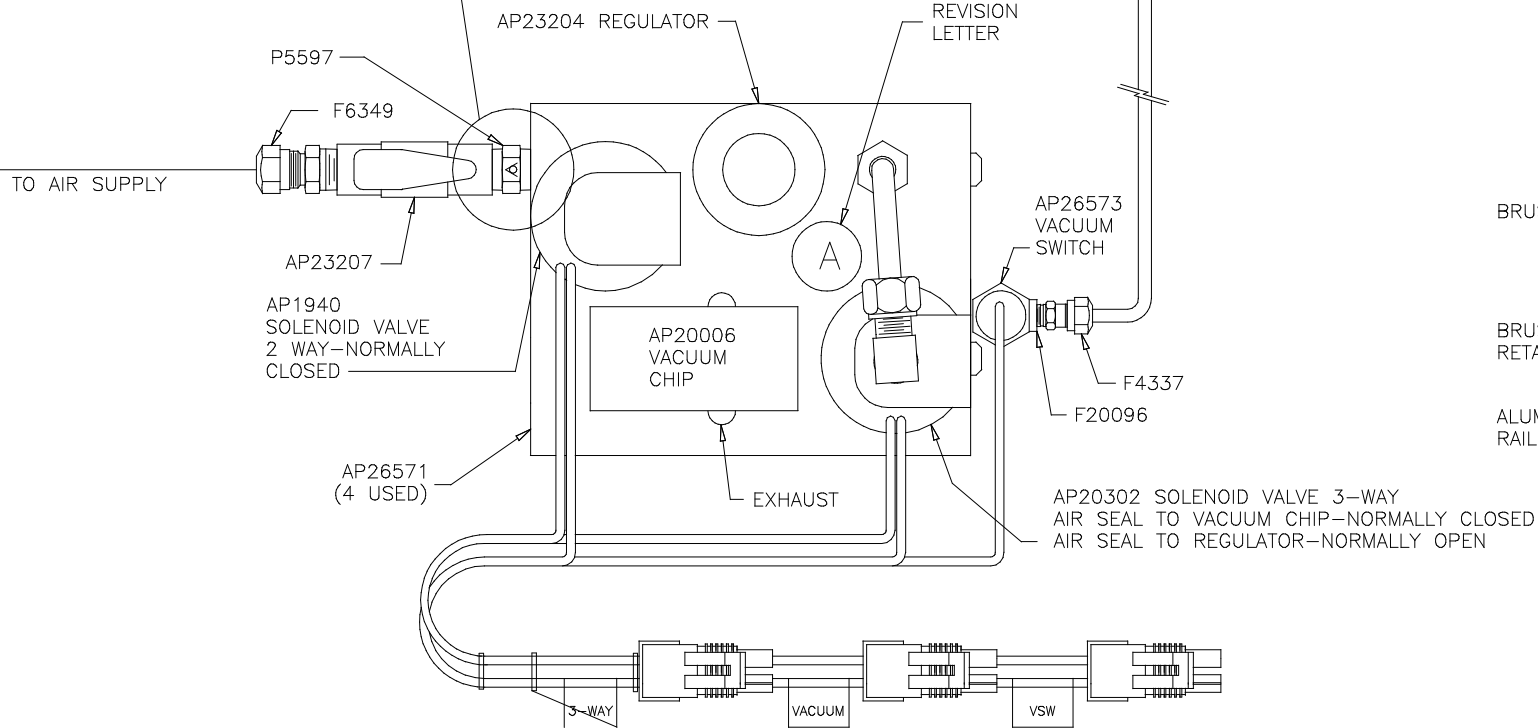
1/4 NPT BRASS CHECK VALVE APPEARS SIMILAR TO 1/4 BRASS NIPPLE. ORIENT SO AIR FLOWS IN PROPER DIRECTION.



AIR SEALS MAY HAVE VARIOUS LENGTHS—THIS DOES NOT AFFECT HOW THEY ARE CONNECTED



SECTION VIEW: ASSEMBLED RAIL, BRUSH, SEAL, RETAINERS.



SECTION VIEW: EXPLODED RAIL, BRUSH, SEAL, RETAINERS.

AP20302 SOLENOID VALVE 3-WAY
AIR SEAL TO VACUUM CHIP—NORMALLY CLOSED
AIR SEAL TO REGULATOR—NORMALLY OPEN

NOTE: INSTALLATION MUST CONFORM TO GOOD SHOP PRACTICES, SAE STANDARDS, RVIA STANDARDS, AND OTHER APPLICABLE STANDARDS.

MP79068 B/B
04APR07