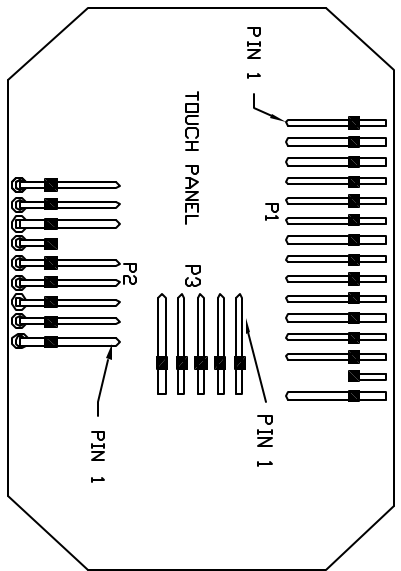
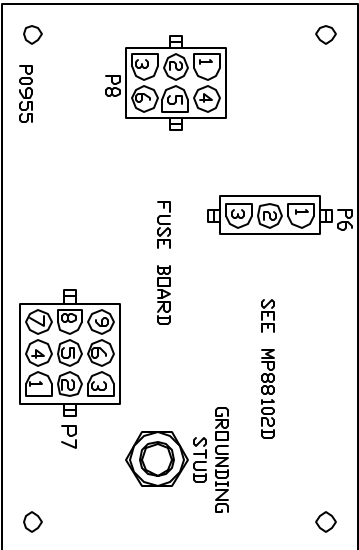
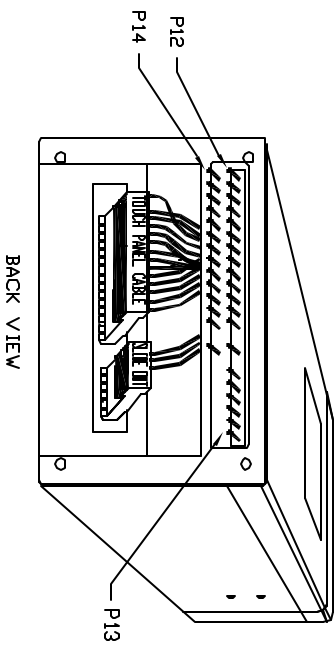


FRONT VIEW



MP88102A
29JAN97

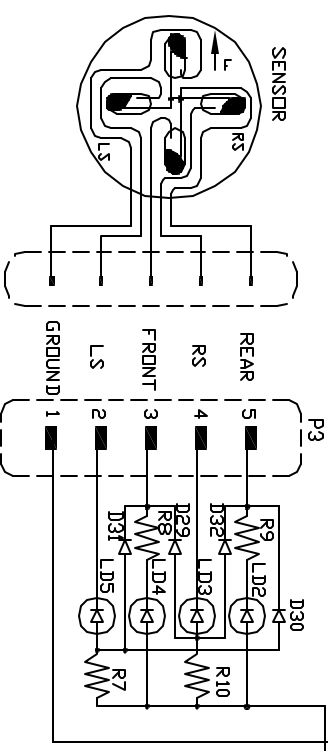
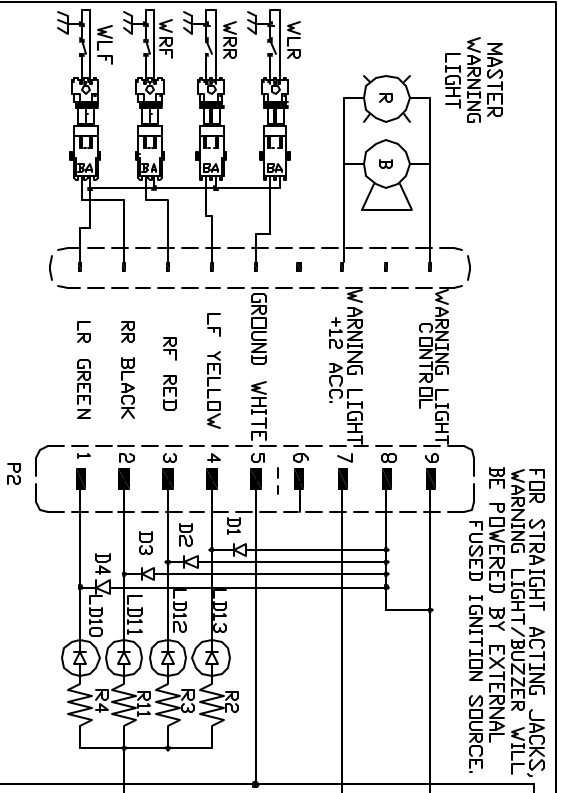


BACK VIEW

NO.	DATE	REVISION
A	10OCT97	LABELLED FUSES

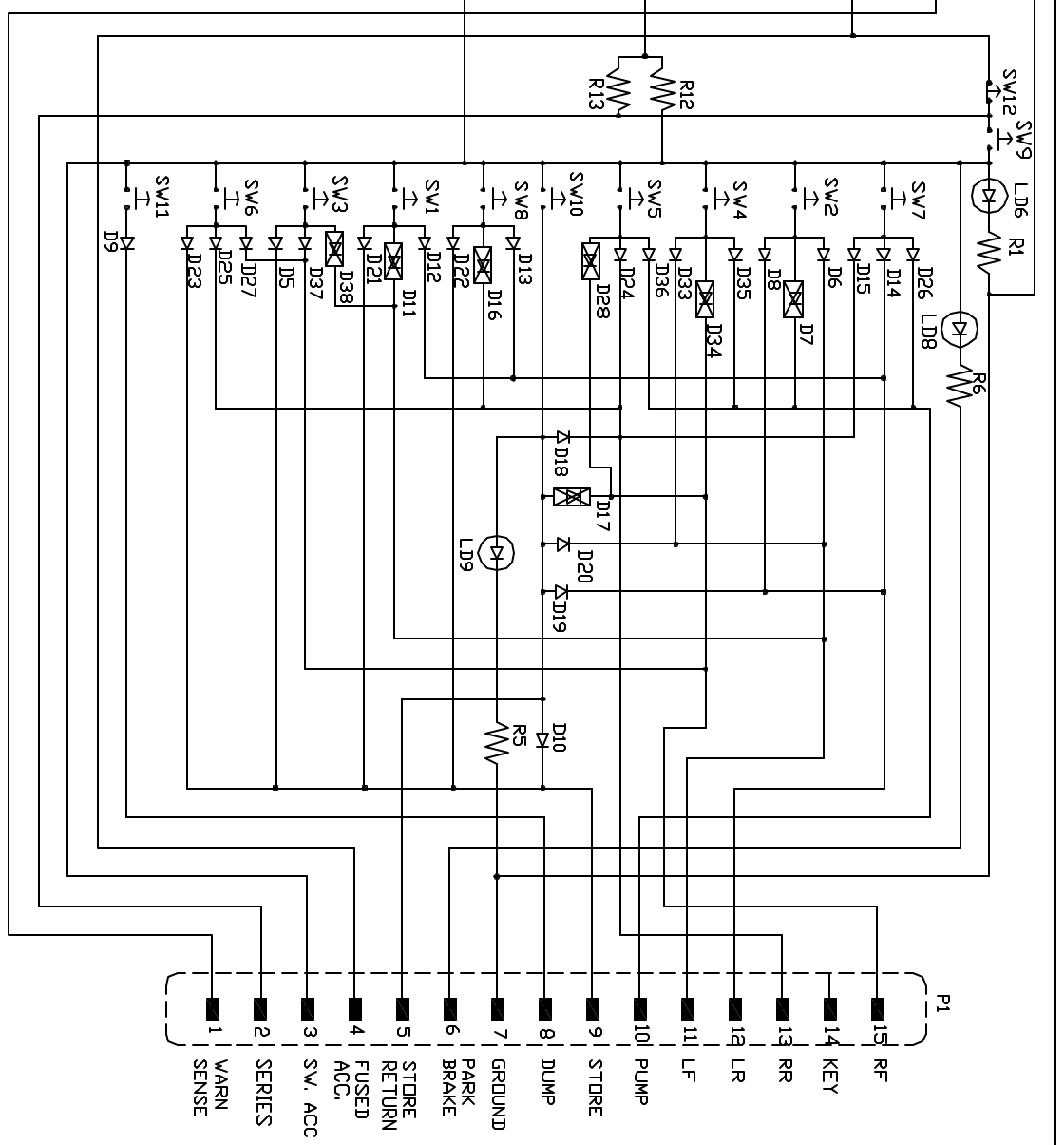
SCALE	1:1	DATE	29JAN97	DRAWN BY	1
HWH 1-80 EXT 267 SOUTH RT 1 MOSCOW, IOWA 52760					
310 LEVELLING SYSTEM			DRAWING NUMBER		
MOTORIZED			MP88102 A/E		

THE INFORMATION DISCLOSED ON THIS DRAWING IS CONFIDENTIAL AND MUST NOT BE DISCLOSED OR USED IN ANY MANNER WHICH WILL BE DETRIMENTAL TO THE HWH CORPORATION

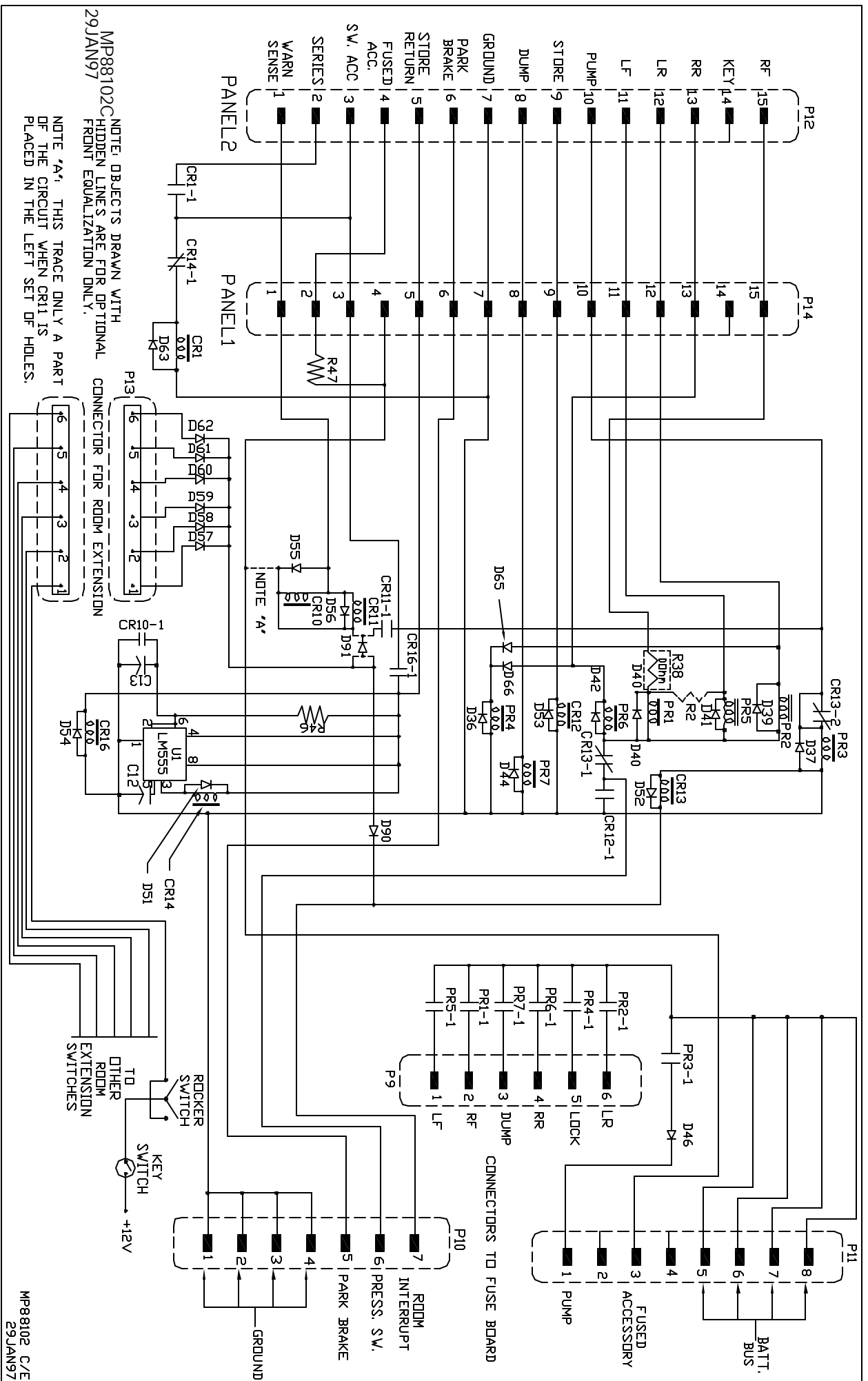


SENSING UNIT
5 PIN MTA CONNECTOR
NOTE: WITH AN 'X' MARK NOT
STUFFED FOR THREE JACK OPERATION.

MP88102B
29JAN97



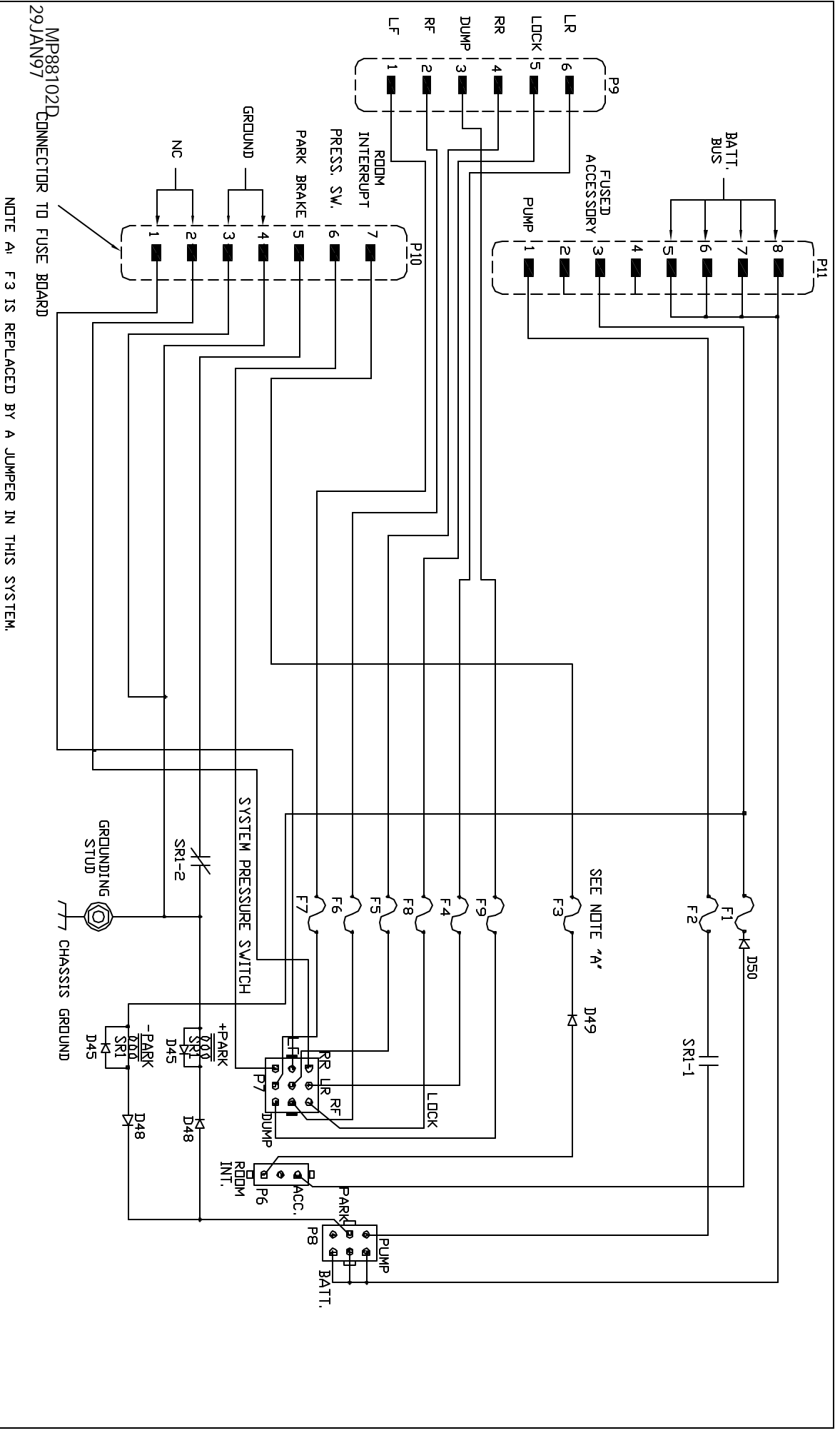
MP88102 B/E
29JAN97



MP88102C
29JAN97

NOTE: OBJECTS DRAWN WITH
HIDDEN LINES ARE FOR OPTIONAL
FRONT EQUALIZATION ONLY.

NOTE: 'A', THIS TRACE ONLY A PART
OF THE CIRCUIT WHEN CR11 IS
PLACED IN THE LEFT SET OF HOLES.



NOTE A: F3 IS REPLACED BY A JUMPER IN THIS SYSTEM.

MP88102D
CONNECTOR TO FUSE BOARD
29JAN97

