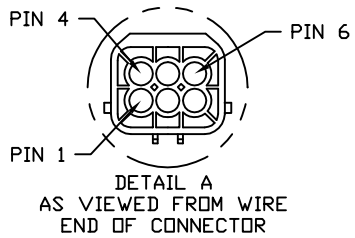


NOTE: WIRE NUMBERS ON THIS SHEET ARE REFERENCED TO HARNESS PLUGS.

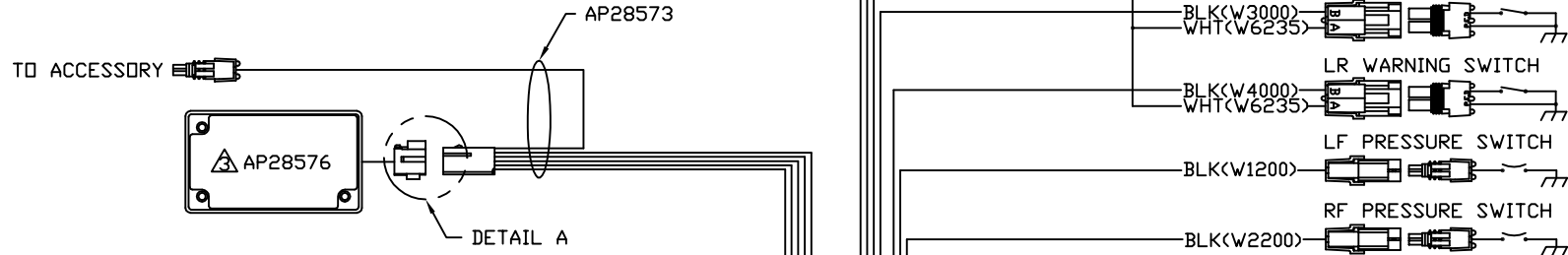
NOTE: INSTALLATION MUST CONFORM TO GOOD SHOP PRACTICES, SAE STANDARDS, RVIA STANDARDS, AND OTHER APPLICABLE STANDARDS.

			HWH I-80 EXIT 267 SOUTH RT 1 MOSCOW, IOWA 52760		
3	15MAY08	WAS AP6798	SCALE 1:3	DATE 30MAR98	DRAWN BY .
2	15MAY08	REDRAWN TO 1:3 SCALE	SYSTEM SCHEMATIC ELEC		
1	12MAY99	UPDATED TO NEW STDRDS			
NO.	DATE	REVISION			
THE INFORMATION DISCLOSED ON THIS DRAWING IS CONFIDENTIAL AND MUST NOT BE DISCLOSED OR USED IN ANY MANNER WHICH WILL BE DETRIMENTAL TO THE HWH CORPORATION			DRAWING NUMBER MP88185 A/B		



- PIN
1. FRONT SENSE (ORANGE)
  2. GROUND (WHITE)
  3. ACCESSORY (RED)
  4. LEFT SIDE SENSE (YELLOW)
  5. REAR SENSE (BLACK)
  6. RIGHT SIDE SENSE (GREEN)

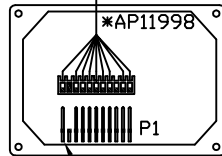
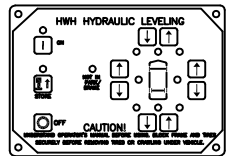
\*\*\* AP28578 INCLUDES:  
AP28573 AND AP28576.



- P4
1. FRONT SENSE (ORANGE)
  2. LEFT SIDE SENSE (GREEN)
  3. REAR SENSE (BLACK)
  4. RIGHT SIDE SENSE (YELLOW)
  5. GROUND (WHITE)

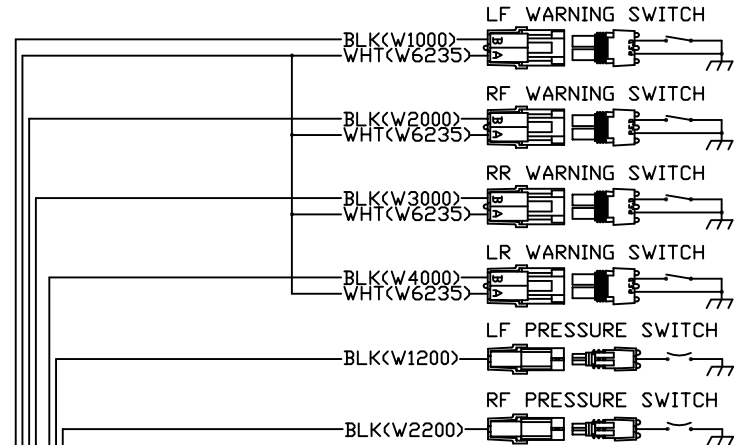
REAR OF  
AP11995

AP11997



\*PART OF AP11997

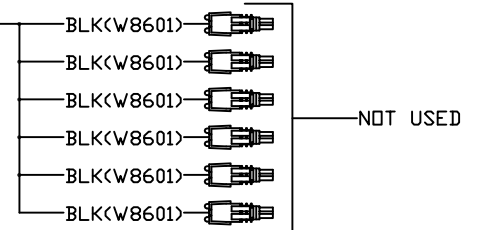
- P1-P2
1. BLK(W01) CR1
  2. KEY PIN
  3. BLK(W03) ACC.
  4. BLK(W04) SW ACC.
  5. BLK(W05) NOT USED
  6. BLK(W06) NOT USED
  7. WHT(W07) GROUND
  8. BLK(W08) TRAVEL
  9. N/C
  10. BLK(W10) SCL
  11. BLK(W11) SDL



- P5
1. WHT(W6235) GROUND
  2. BLK(W1000) LF JACK WARN
  3. BLK(W2000) RF JACK WARN
  4. BLK(W3000) RR JACK WARN
  5. BLK(W4000) LR JACK WARN
  6. KEY PIN
  7. BLK(W1200) LF PRESS. SW.
  8. BLK(W2200) RF PRESS. SW.
  9. N/C
  10. N/C

PART OF AP12001

- P3
1. N/C
  2. BLK(W8601) NOT USED
  3. - 6. N/C



NOTE: INSTALLATION MUST CONFORM TO GOOD SHOP PRACTICES, SAE STANDARDS, RVIA STANDARDS, AND OTHER APPLICABLE STANDARDS.

NOTE: WIRE NUMBERS ON THIS SHEET ARE REFERENCED TO HARNESS PLUGS.

MP88185 B  
15MAY08