

NOTE: INSTALLATION MUST CONFORM TO GOOD SHOP PRACTICES, SAE STANDARDS, RVIA STANDARDS, AND OTHER APPLICABLE STANDARDS.

NOTE: WIRE NUMBERS ON THIS SHEET ARE REFERENCED TO HARNESS PLUGS.

HWH I-80 EXIT 267 SOUTH
 RT 1 MOSCOW, IOWA 52760

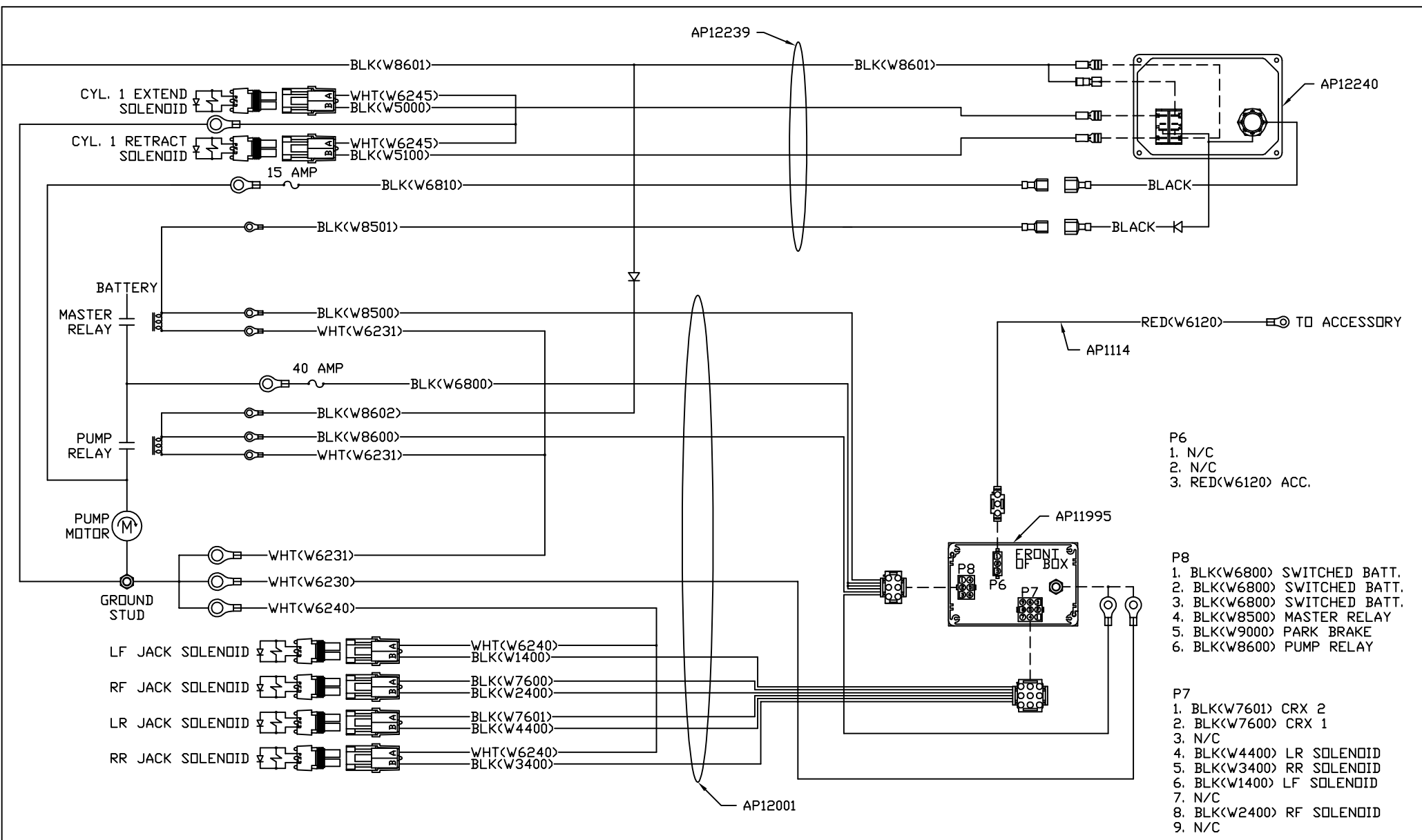
SCALE 1:3 DATE 30MAR98 DRAWN BY .

SYSTEM SCHEMATIC ELEC

NO.	DATE	REVISION
1	15MAY08	WAS AP6798
2	15MAY08	REDRAWN, WAS A/C
1	13MAY99	UPDATED TO NEW STDRS

THE INFORMATION DISCLOSED ON THIS DRAWING IS CONFIDENTIAL AND MUST NOT BE DISCLOSED OR USED IN ANY MANNER WHICH WILL BE DETRIMENTAL TO THE HWH CORPORATION

DRAWING NUMBER
 MP88186 A/B



- P6
1. N/C
 2. N/C
 3. RED<W6120> ACC.
- P8
1. BLK<W6800> SWITCHED BATT.
 2. BLK<W6800> SWITCHED BATT.
 3. BLK<W6800> SWITCHED BATT.
 4. BLK<W8500> MASTER RELAY
 5. BLK<W9000> PARK BRAKE
 6. BLK<W8600> PUMP RELAY
- P7
1. BLK<W7601> CRX 2
 2. BLK<W7600> CRX 1
 3. N/C
 4. BLK<W4400> LR SOLENOID
 5. BLK<W3400> RR SOLENOID
 6. BLK<W1400> LF SOLENOID
 7. N/C
 8. BLK<W2400> RF SOLENOID
 9. N/C

NOTE: INSTALLATION MUST CONFORM TO GOOD SHOP PRACTICES, SAE STANDARDS, RVIA STANDARDS, AND OTHER APPLICABLE STANDARDS.

NOTE: WIRE NUMBERS ON THIS SHEET ARE REFERENCED TO HARNESS PLUGS.