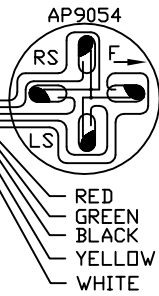


CONNECTOR #51
 1) FR SENSE
 2) LS SENSE
 3) REAR SENSE
 4) RS SENSE
 5) GND



CONNECTORS #33 AND #94
 1) IGN. +12V
 2) IGN. RETURN
 3) NC
 4) NC
 5) LAMP CONTROL
 6) PUMP REQUEST
 7) NC
 8) EXTEND REQUEST
 9) RETRACT REQUEST

CONNECTORS #21 AND #47
 1) NC
 2) NC
 3) NC
 4) LOCKED LIMIT SW.
 5) ROOM IN LIMIT SW.
 6) ROOM OUT LIMIT SW.
 7) NC
 8) UNLOCKED LIMIT SW.
 9) COMMON GND

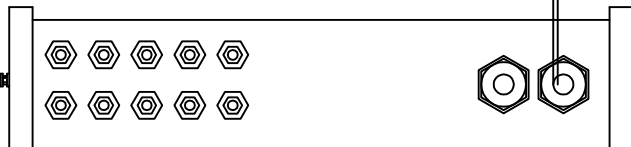
#10 GND
 STUD

MP88.378A
 29SEP98

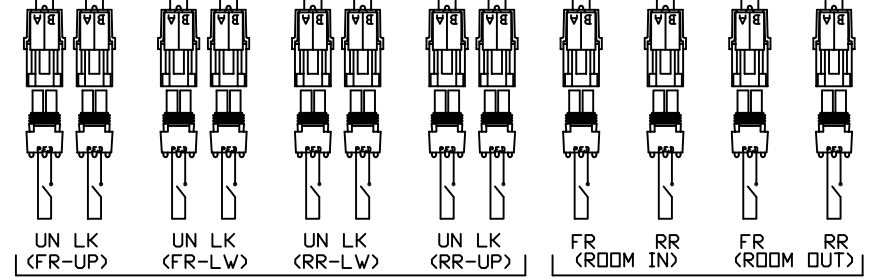
		HWH		I-80 EXIT 267 SOUTH RT 1 MOSCOW, IOWA 52760	
		SCALE 1:3	DATE 29SEP98	DRAWN BY .	
		SCHEMATICS SYSTEM			
NO.	DATE	REVISION			
THE INFORMATION DISCLOSED ON THIS DRAWING IS CONFIDENTIAL AND MUST NOT BE DISCLOSED OR USED IN ANY MANNER WHICH WILL BE DETRIMENTAL TO THE HWH CORPORATION		ELECTRICAL		DRAWING NUMBER MP88378 A/D	

FRONT VIEW
OF BOX

#10 GND
STUD



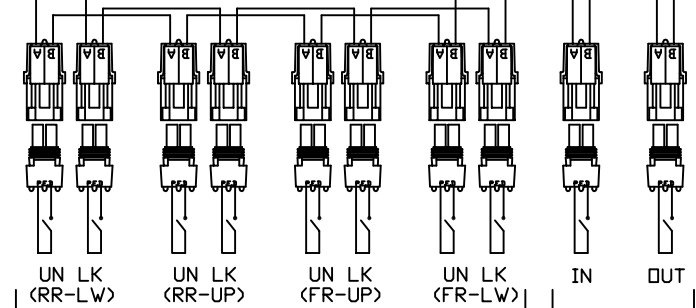
SUPPLIED BY OEM (ROOM 1)



LOCK LIMIT SWITCHES

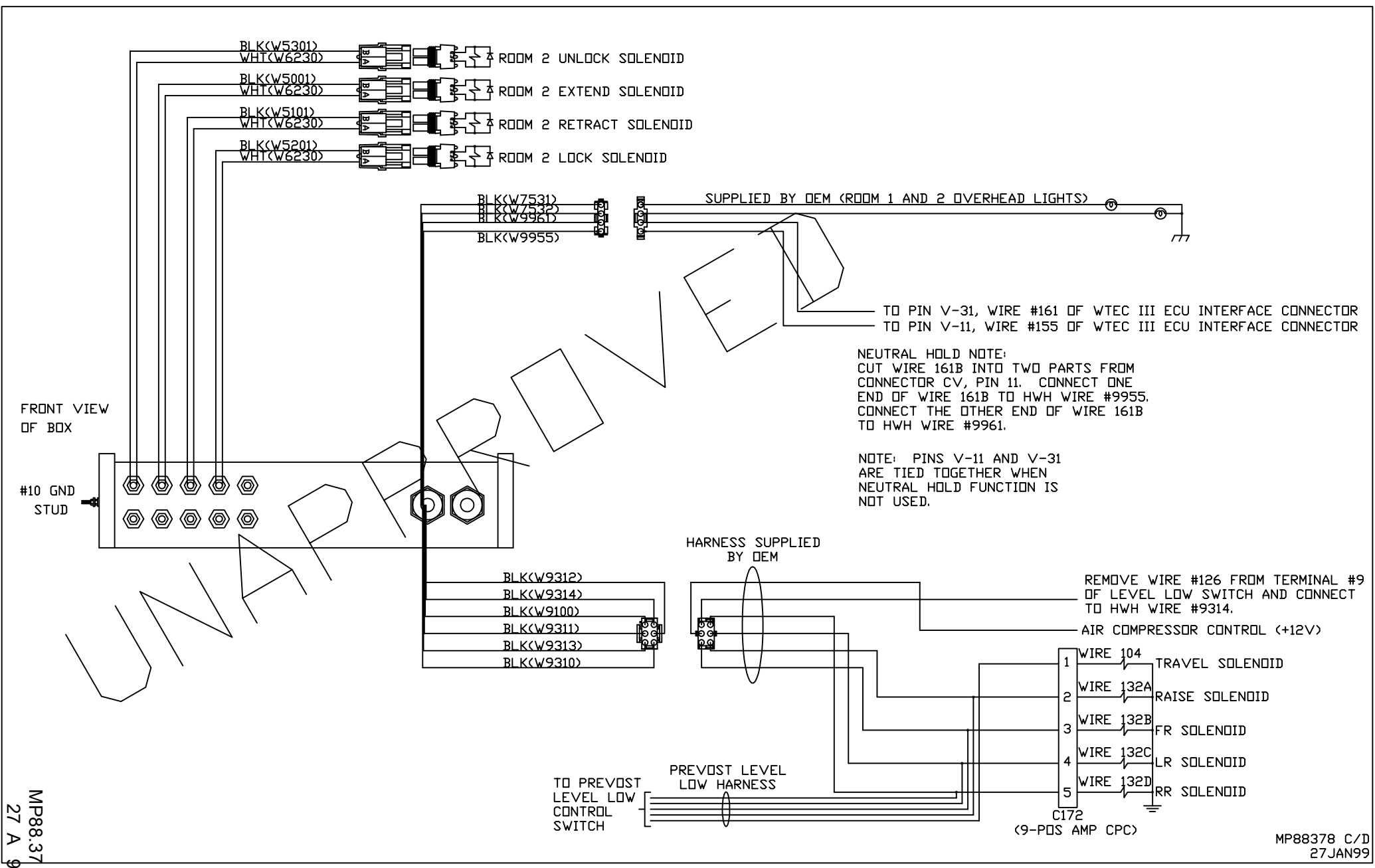
ROOM LIMIT SWITCHES

SUPPLIED BY OEM (ROOM 2)



LOCK LIMIT SWITCHES

ROOM LIMIT SWITCHES



BLK(W5301)
 WHT(W6230) ROOM 2 UNLOCK SOLENOID
 BLK(W5001)
 WHT(W6230) ROOM 2 EXTEND SOLENOID
 BLK(W5101)
 WHT(W6230) ROOM 2 RETRACT SOLENOID
 BLK(W5201)
 WHT(W6230) ROOM 2 LOCK SOLENOID

BLK(W7531)
 BLK(W7532)
 BLK(W9955)

SUPPLIED BY DEM (ROOM 1 AND 2 OVERHEAD LIGHTS)

TO PIN V-31, WIRE #161 OF WTEC III ECU INTERFACE CONNECTOR
 TO PIN V-11, WIRE #155 OF WTEC III ECU INTERFACE CONNECTOR

NEUTRAL HOLD NOTE:
 CUT WIRE 161B INTO TWO PARTS FROM CONNECTOR CV, PIN 11. CONNECT ONE END OF WIRE 161B TO HWH WIRE #9955. CONNECT THE OTHER END OF WIRE 161B TO HWH WIRE #9961.

NOTE: PINS V-11 AND V-31 ARE TIED TOGETHER WHEN NEUTRAL HOLD FUNCTION IS NOT USED.

FRONT VIEW OF BOX

#10 GND STUD

BLK(W9312)
 BLK(W9314)
 BLK(W9100)
 BLK(W9311)
 BLK(W9313)
 BLK(W9310)

HARNESS SUPPLIED BY DEM

REMOVE WIRE #126 FROM TERMINAL #9 OF LEVEL LOW SWITCH AND CONNECT TO HWH WIRE #9314.

AIR COMPRESSOR CONTROL (+12V)

1 WIRE 104 TRAVEL SOLENOID
 2 WIRE 132A RAISE SOLENOID
 3 WIRE 132B FR SOLENOID
 4 WIRE 132C LR SOLENOID
 5 WIRE 132D RR SOLENOID

C172 (9-POS AMP CPC)

TO PREVOST LEVEL LOW CONTROL SWITCH
 PREVOST LEVEL LOW HARNESS

MP88.37
 27 A 9

MP88378 C/D
 27JAN99

LEVEL LOW NOTE:
 REMOVE WIRE #126F FROM LEVEL LOW TELL TAIL LIGHT AT C171, PIN 19. CONNECT TO HWH WIRE (W9915). REMOVE WIRE #126F FROM LEVEL LOW SWITCH AT C171 PIN 19. CONNECT TO HWH WIRE (W9910).

SPEED SWITCH NOTE:
 HWH WIRE (W9900) MUST BE CONNECTED TO PREVOST WIRE 5NC FROM C475, POS. 5. (REAR JUNCTION BOX)

(NOT SUPPLIED)

- RED(W6121) WARN LIGHT POWER
- BLK(W7699) MASTER WARN
- BLK(W7625) FRONT ROOM WARN
- BLK(W7626) REAR ROOM WARN
- BLK(W9910) FROM LEVEL LOW SWITCH (GREEN) TO PREVOST CONNECTOR C171 (SEE NOTE)
- BLK(W9915) TO LEVEL LOW INDICATOR (YELLOW)

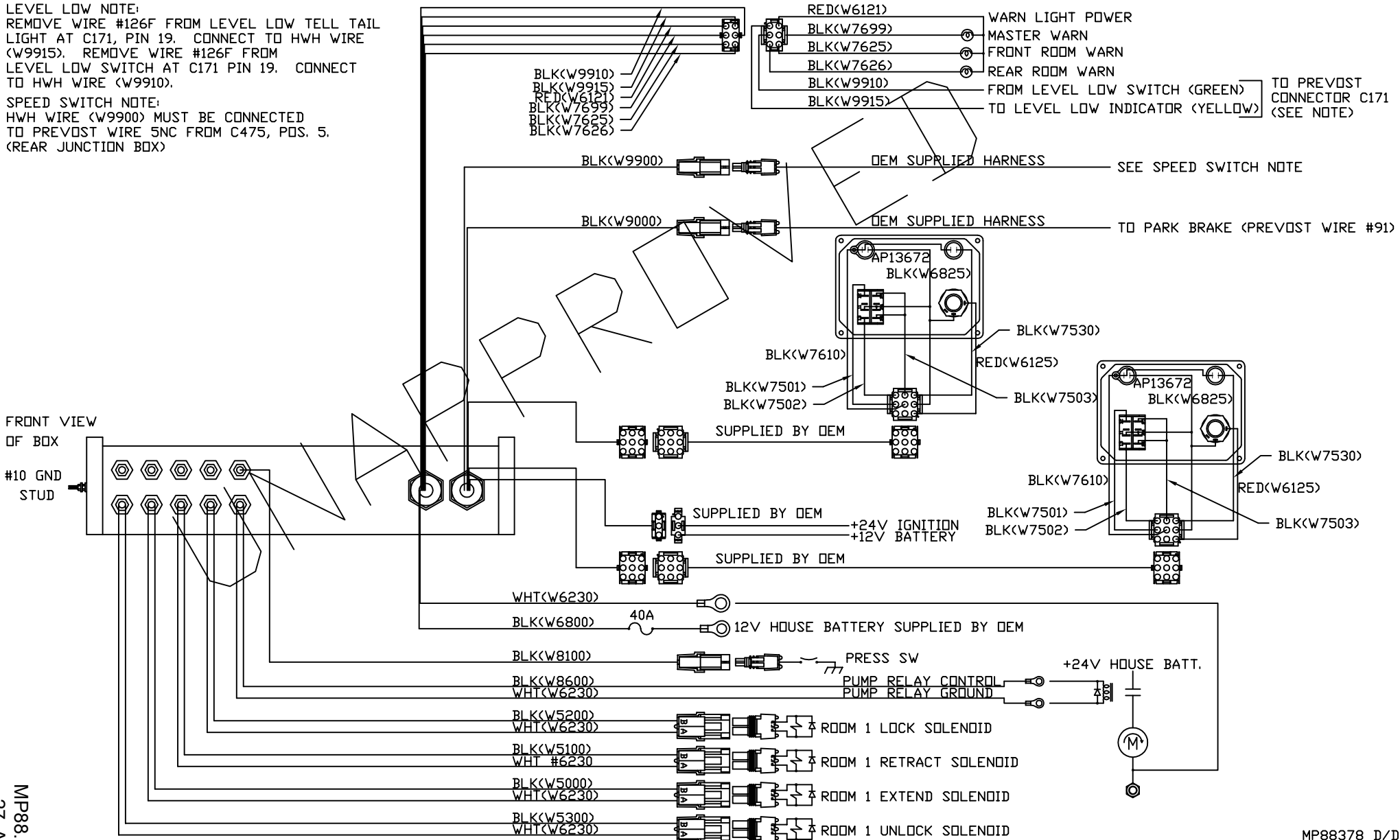
- BLK(W9910)
- BLK(W9915)
- RED(W6121)
- BLK(W7699)
- BLK(W7625)
- BLK(W7626)

BLK(W9900) DEM SUPPLIED HARNESS SEE SPEED SWITCH NOTE

BLK(W9000) DEM SUPPLIED HARNESS TO PARK BRAKE (PREVOST WIRE #91)

FRONT VIEW OF BOX

#10 GND STUD



MP88378
 27 A 9

MP88378 D/D
 29MAR99