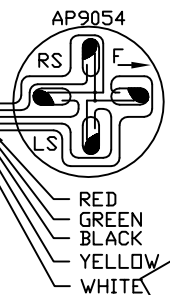


- CONNECTOR #51
- 1) FR SENSE
  - 2) LS SENSE
  - 3) REAR SENSE
  - 4) RS SENSE
  - 5) GND



UNAPPROVED

- CONNECTORS #33 AND #94
- 1) IGN. +12V
  - 2) IGN. RETURN
  - 3) NC
  - 4) NC
  - 5) LAMP CONTROL
  - 6) PUMP REQUEST
  - 7) NC
  - 8) EXTEND REQUEST
  - 9) RETRACT REQUEST

- CONNECTORS #21 AND #47
- 1) NC
  - 2) NC
  - 3) NC
  - 4) LOCKED LIMIT SW.
  - 5) ROOM IN LIMIT SW.
  - 6) ROOM OUT LIMIT SW.
  - 7) NC
  - 8) UNLOCKED LIMIT SW.
  - 9) COMMON GND

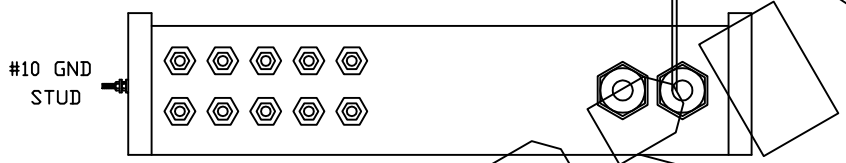
#10 GND STUD

MP88.54  
23AUG99

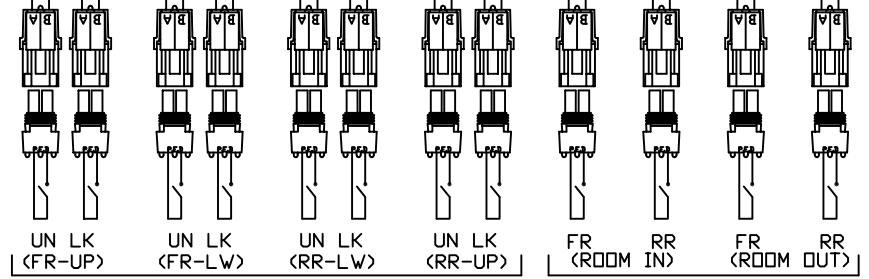
		HWH		I-80 EXIT 267 SOUTH RT 1 MOSCOW, IOWA 52760	
		SCALE 1:3	DATE 23AUG99	DRAWN BY .	
		SCHEMATICS SYSTEM			
NO.	DATE	REVISION			
THE INFORMATION DISCLOSED ON THIS DRAWING IS CONFIDENTIAL AND MUST NOT BE DISCLOSED OR USED IN ANY MANNER WHICH WILL BE DETRIMENTAL TO THE HWH CORPORATION		ELECTRICAL		DRAWING NUMBER MP88548 A/D	

FRONT VIEW  
OF BOX

#10 GND  
STUD



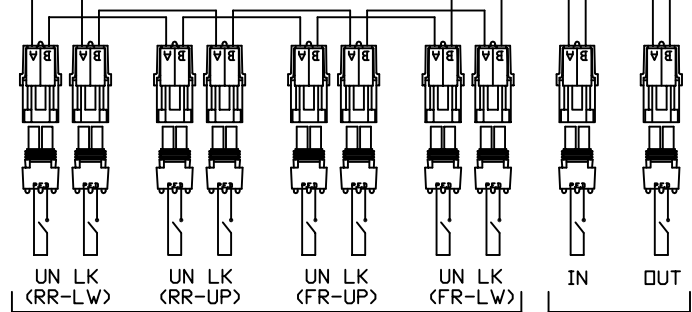
SUPPLIED BY DEM (ROOM 1)



LOCK LIMIT SWITCHES

ROOM LIMIT SWITCHES

SUPPLIED BY DEM (ROOM 2)

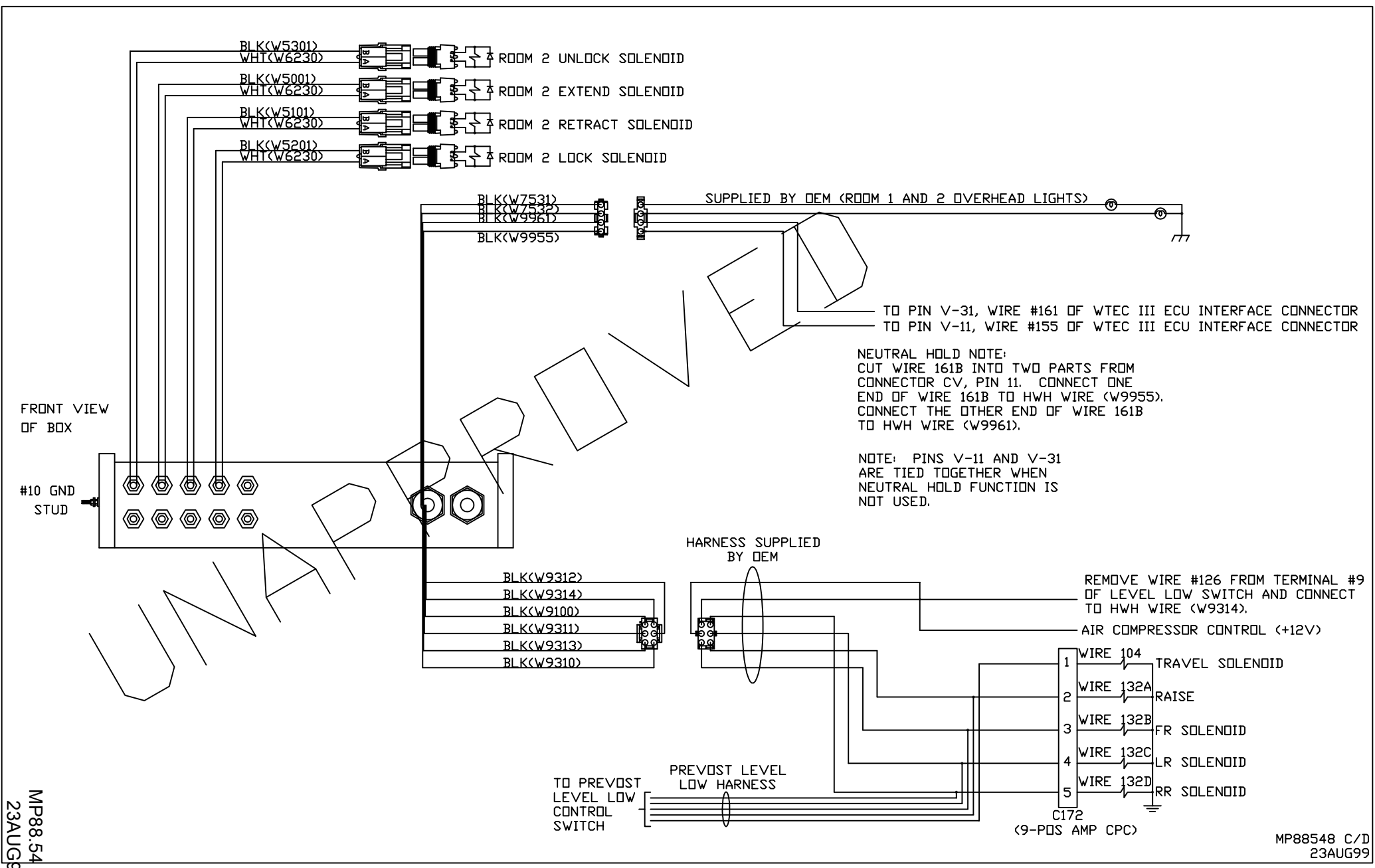


LOCK LIMIT SWITCHES

ROOM LIMIT SWITCHES

MP88.54  
23AUG9

MP88548 B/D  
23AUG99



MP88.54  
23AUG99

MP88548 C/D  
23AUG99

LEVEL LOW NOTE:  
 REMOVE WIRE #126F FROM LEVEL LOW TELL TAIL LIGHT AT C171, PIN 19. CONNECT TO HWH WIRE (W9915). REMOVE WIRE #126F FROM LEVEL LOW SWITCH AT C171 PIN 19. CONNECT TO HWH WIRE (W9910).

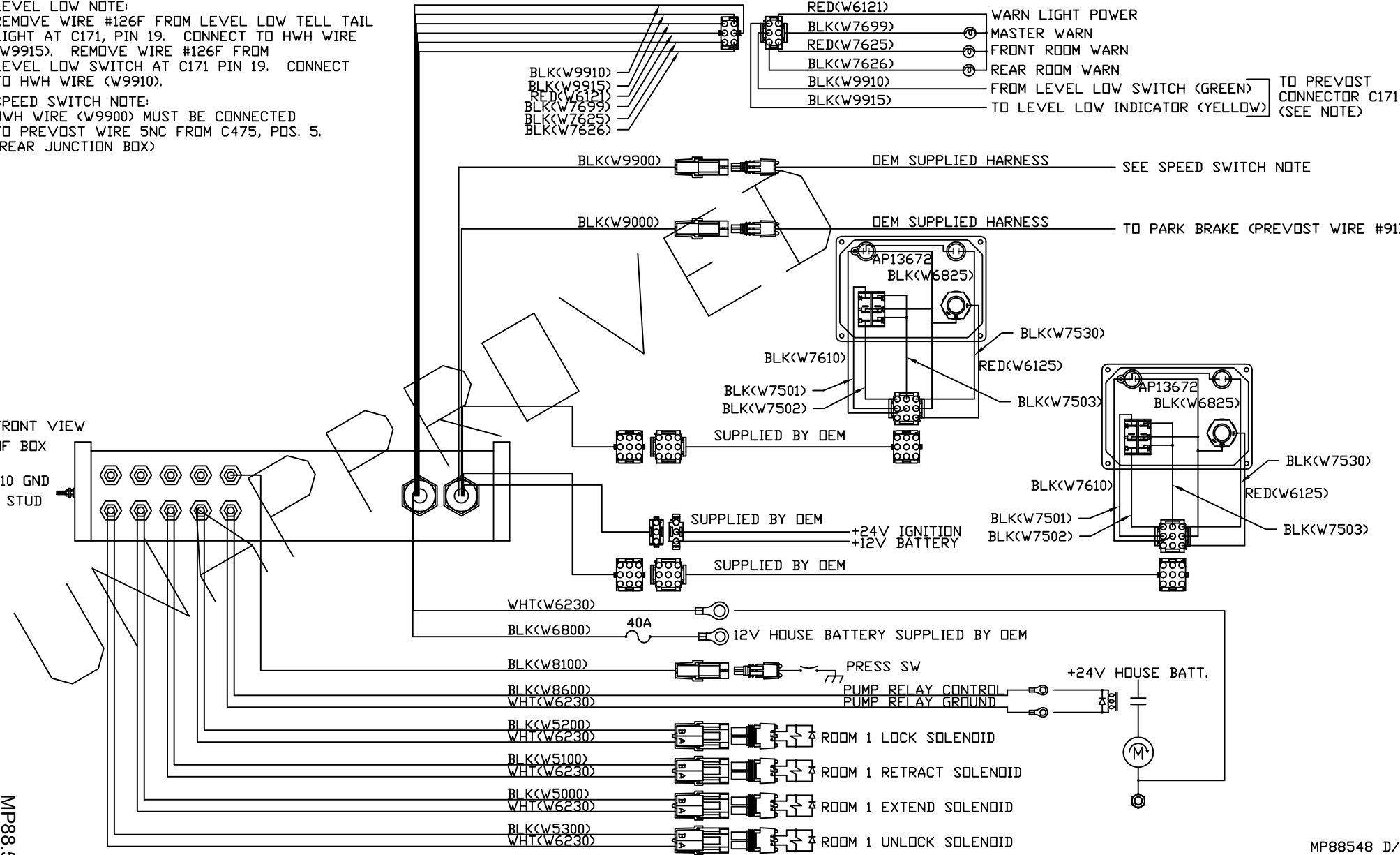
SPEED SWITCH NOTE:  
 HWH WIRE (W9900) MUST BE CONNECTED TO PREVOST WIRE 5NC FROM C475, POS. 5. (REAR JUNCTION BOX)

(NOT SUPPLIED)

- RED(W6121) WARN LIGHT POWER
- BLK(W7699) MASTER WARN
- RED(W7625) FRONT ROOM WARN
- BLK(W7626) REAR ROOM WARN
- BLK(W9910) FROM LEVEL LOW SWITCH (GREEN) TO PREVOST CONNECTOR C171 (SEE NOTE)
- BLK(W9915) TO LEVEL LOW INDICATOR (YELLOW)

FRONT VIEW OF BOX

#10 GND STUD



MP88.54  
23AUG99

MP88548 D/D  
23AUG99