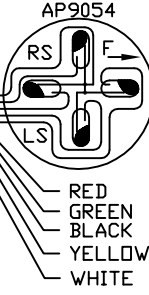


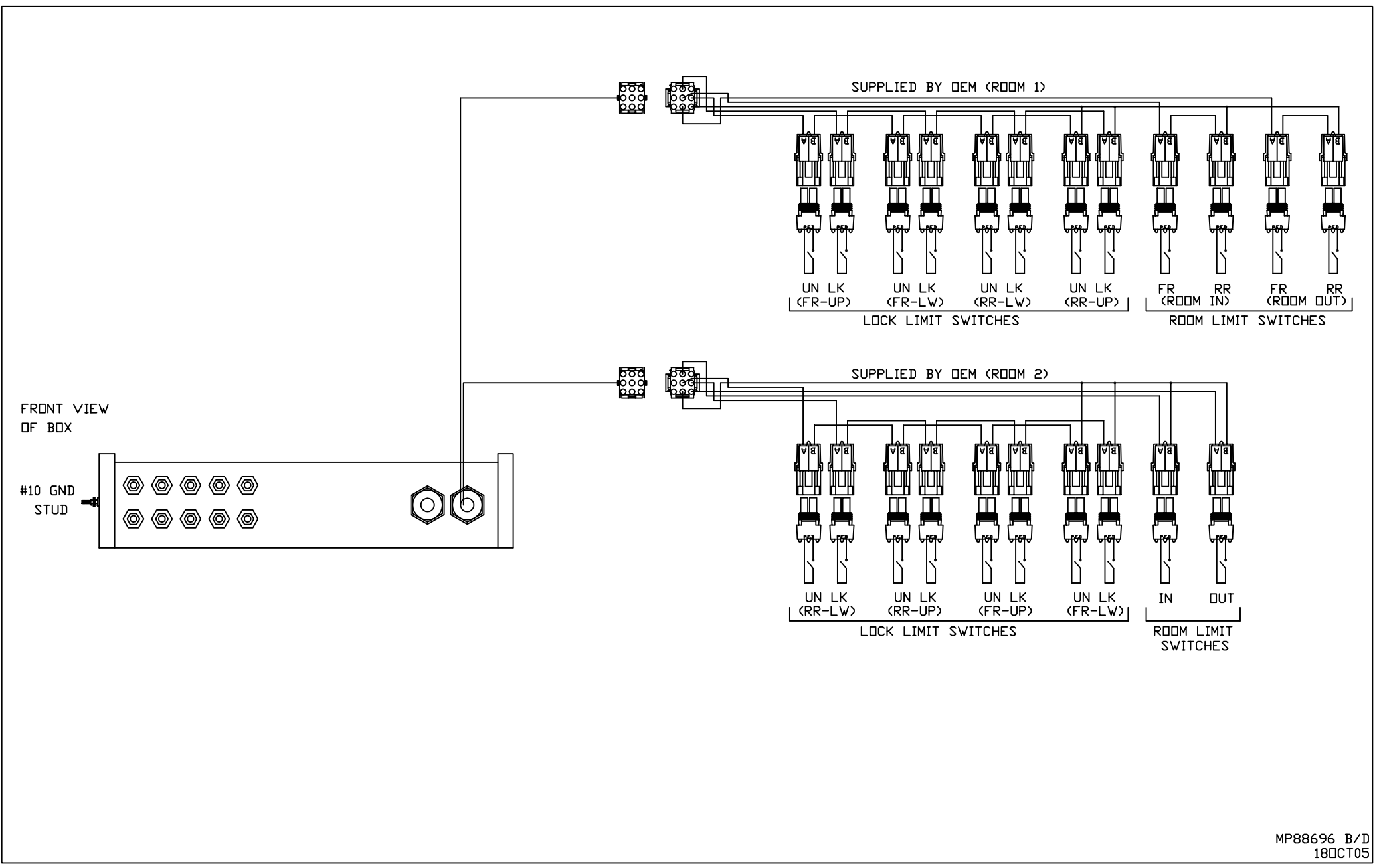
- CONNECTOR #51
- 1) FR SENSE
  - 2) LS SENSE
  - 3) REAR SENSE
  - 4) RS SENSE
  - 5) GND

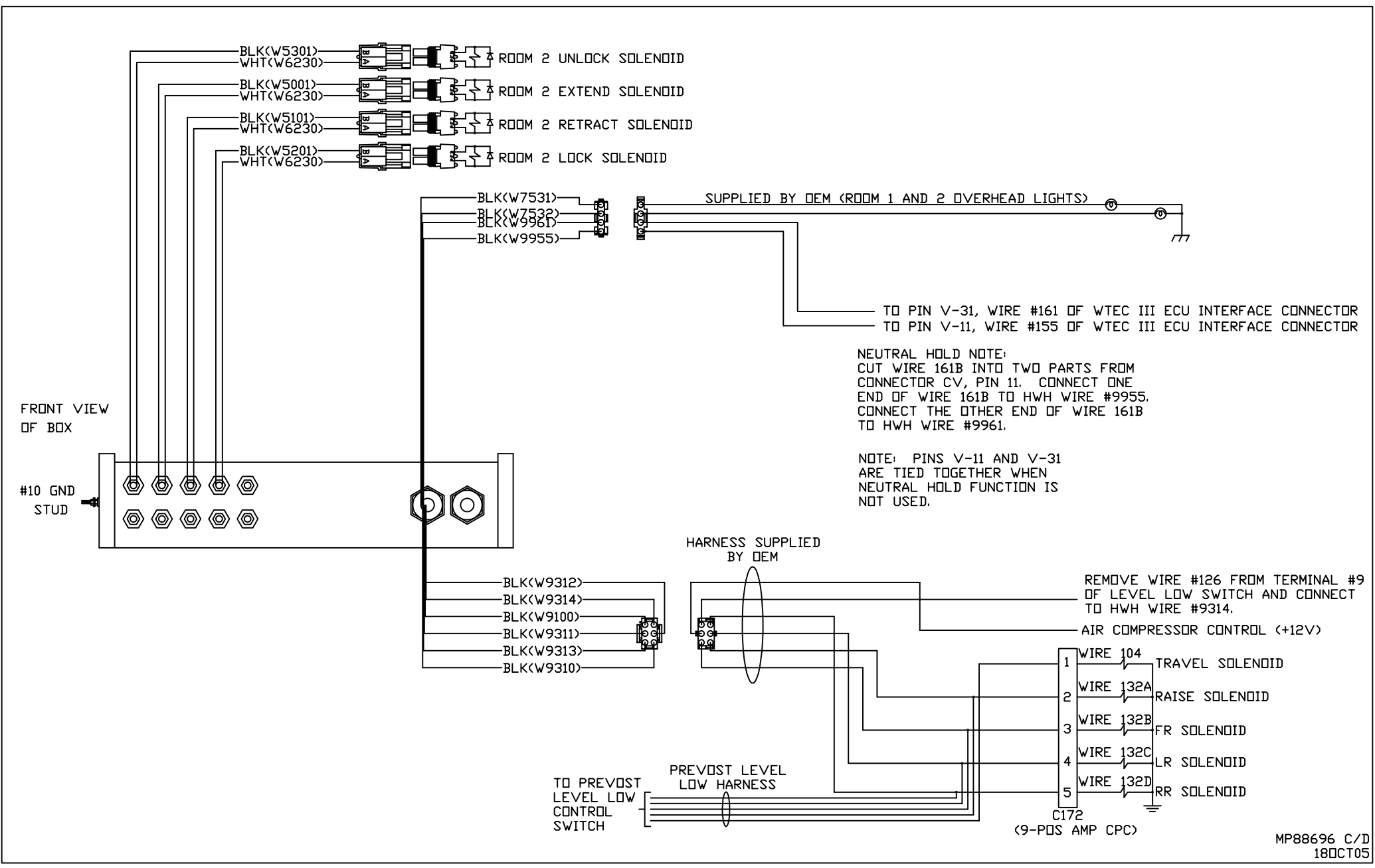


- CONNECTORS #33 AND #94
- 1) IGN. +12V
  - 2) IGN. RETURN
  - 3) NC
  - 4) NC
  - 5) LAMP CONTROL
  - 6) PUMP REQUEST
  - 7) NC
  - 8) EXTEND REQUEST
  - 9) RETRACT REQUEST

- CONNECTORS #21 AND #47
- 1) NC
  - 2) NC
  - 3) NC
  - 4) LOCKED LIMIT SW.
  - 5) ROOM IN LIMIT SW.
  - 6) ROOM OUT LIMIT SW.
  - 7) NC
  - 8) UNLOCKED LIMIT SW.
  - 9) COMMON GND

		HWH		I-80 EXIT 267 SOUTH RT 1 MOSCOW, IOWA 52760	
		SCALE 1:3	DATE 18OCT05	DRAWN BY .	
		SYSTEM SCHEMATIC ELEC			
NO.	DATE	REVISION			
THE INFORMATION DISCLOSED ON THIS DRAWING IS CONFIDENTIAL AND MUST NOT BE DISCLOSED OR USED IN ANY MANNER WHICH WILL BE DETRIMENTAL TO THE HWH CORPORATION		DRAWING NUMBER MP88696 A/D			





LEVEL LOW NOTE:  
 REMOVE WIRE #126F FROM LEVEL LOW TELL TAIL LIGHT AT C171, PIN 19. CONNECT TO HWH WIRE (W9915). REMOVE WIRE #126F FROM LEVEL LOW SWITCH AT C171 PIN 19. CONNECT TO HWH WIRE (W9910).

SPEED SWITCH NOTE:  
 HWH WIRE (W9900) MUST BE CONNECTED TO PREVOST WIRE 5NC FROM C475, POS. 5. (REAR JUNCTION BOX)

(NOT SUPPLIED)

- RED(W6121) WARN LIGHT POWER
- BLK(W7699) MASTER WARN
- BLK(W7625) FRONT ROOM WARN
- BLK(W7626) REAR ROOM WARN
- BLK(W9910) FROM LEVEL LOW SWITCH (GREEN) TO PREVOST CONNECTOR C171 (SEE NOTE)
- BLK(W9915) TO LEVEL LOW INDICATOR (YELLOW)

FRONT VIEW OF BOX  
 #10 GND STUD

